



www.strikercrushing.com



Mobile Crushing & Screening

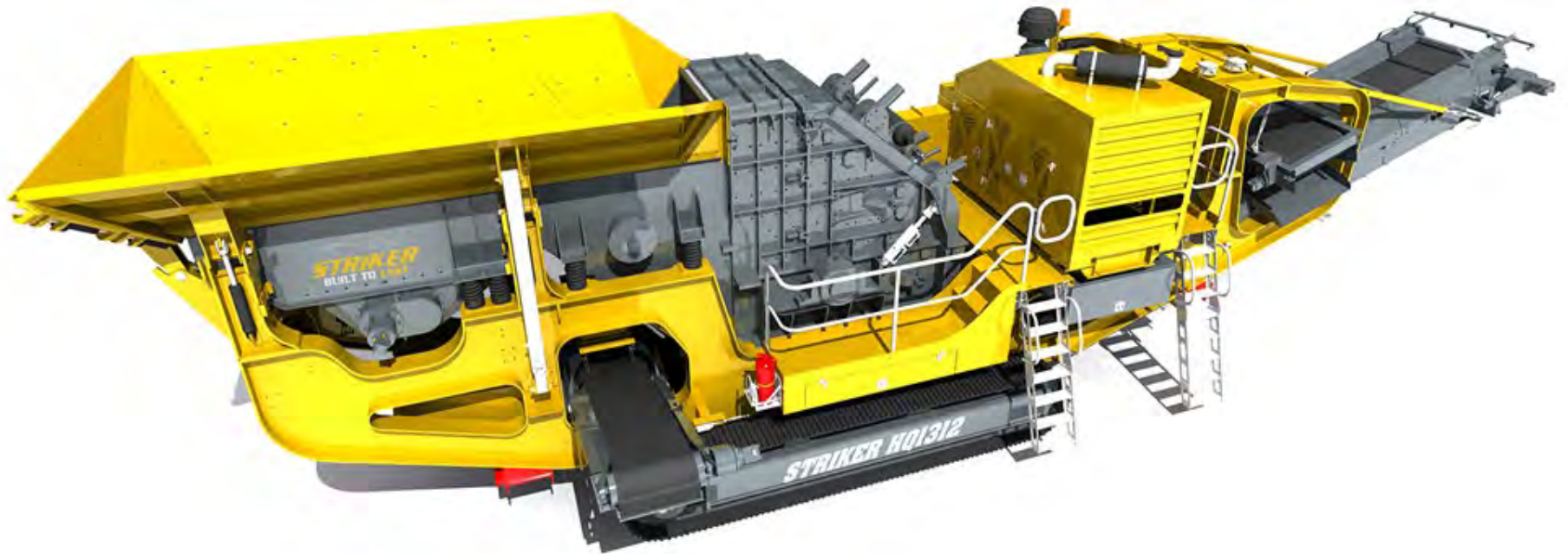
HQ1312

Features & Benefits









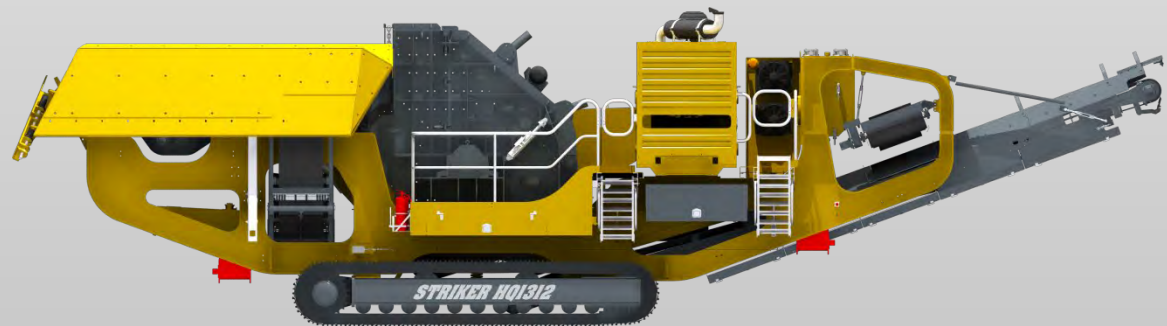
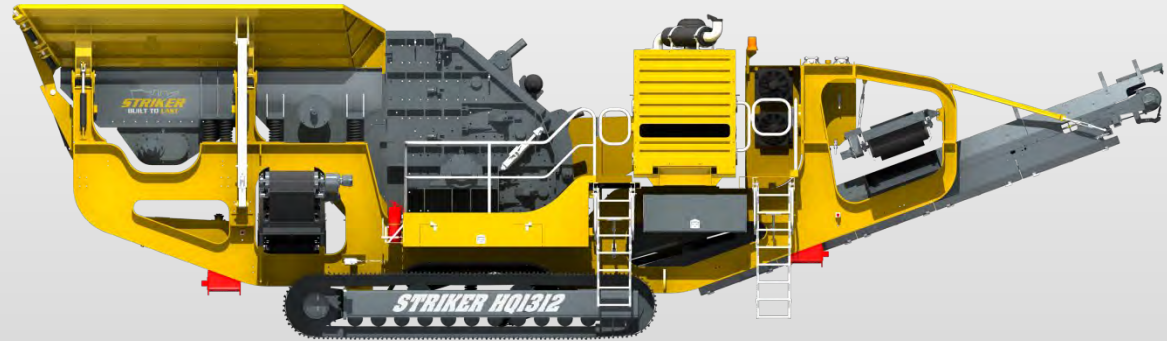
(SP02SI144-1900)

Tracked Impact Crusher HQ1312

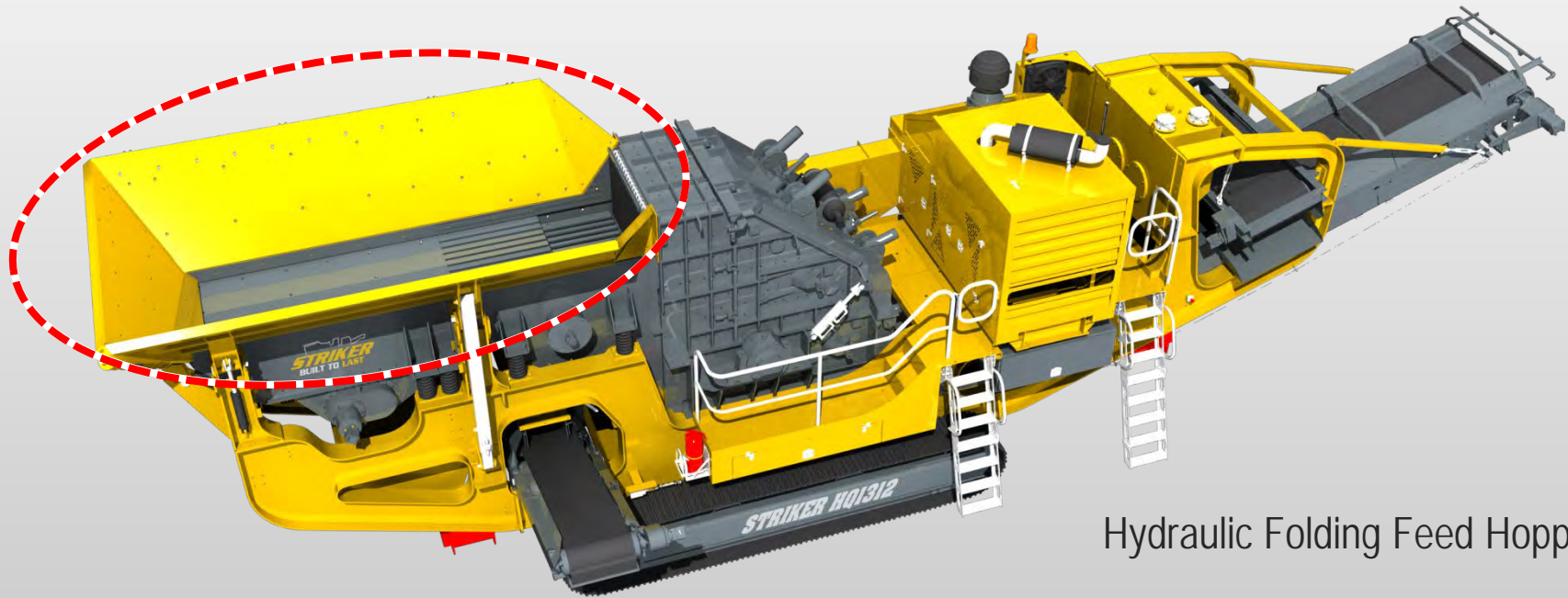


Transport Dimensions

HQ1312	
Operating Dimensions:	
	15259mm 50' 1"
	4918mm 16' 2"
	4435mm 14' 7"
Transport Dimensions:	
	15456mm 50' 9"
	3008mm 9' 10"
	4150mm 13' 7"
Weight (T):	53T
Weight (lbs):	116,845lbs



Feed Hopper



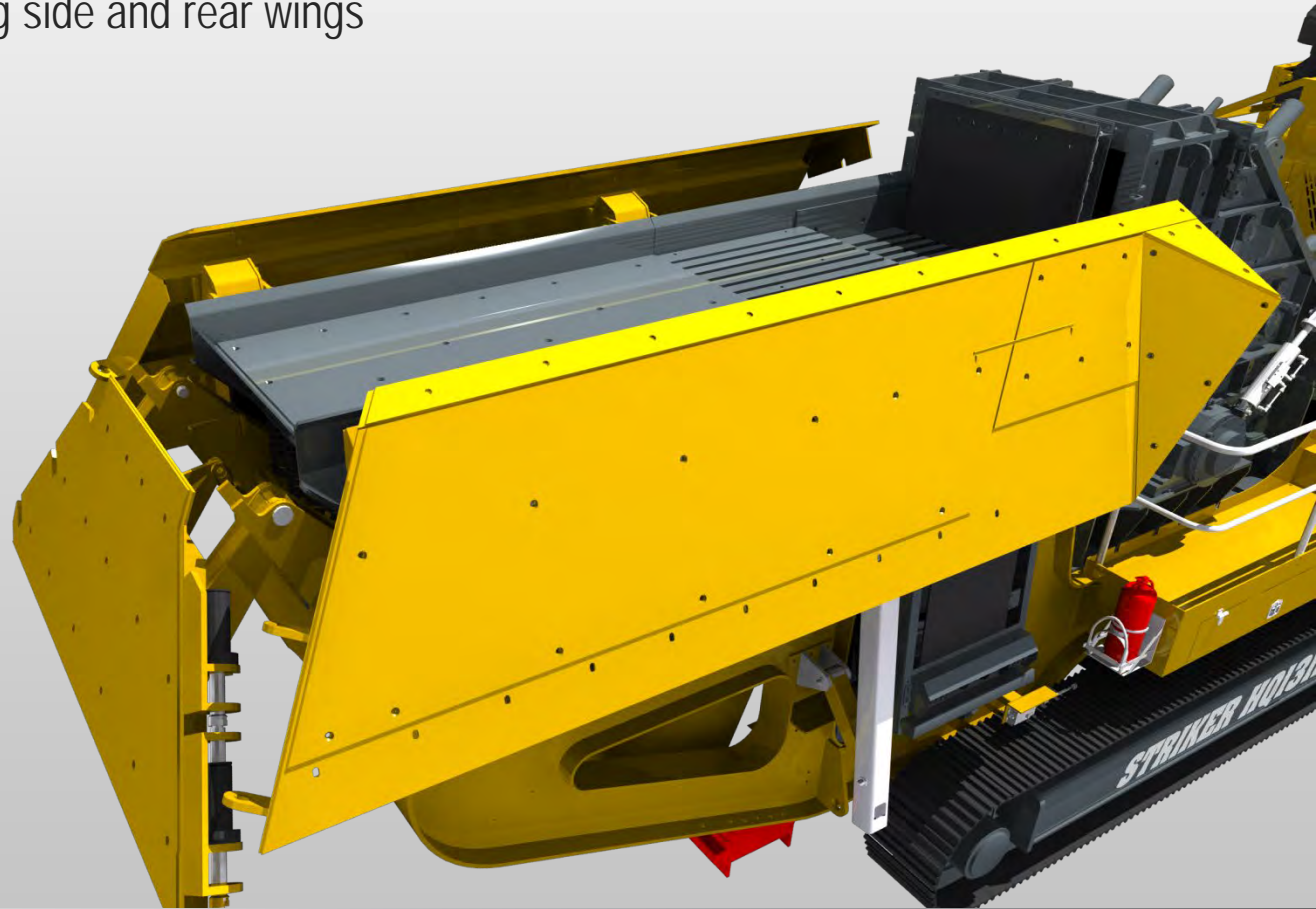
Hydraulic Folding Feed Hopper

Loading Height – 4435mm (14'7")

Feed Hopper Capacity – 10m³ (13yd³)

Feed Hopper Wings

- Heavy duty wear resistant steel feed hopper construction
- Hydraulically operated folding side and rear wings
- Reinforced box section webs
- Rapid set up time

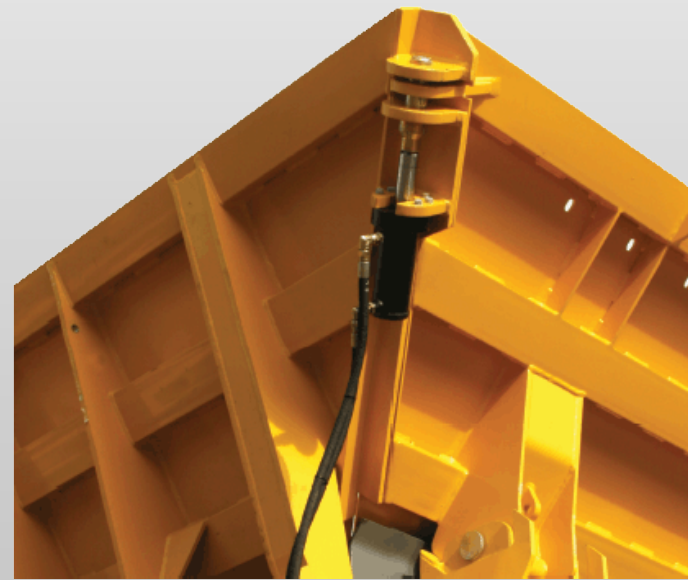
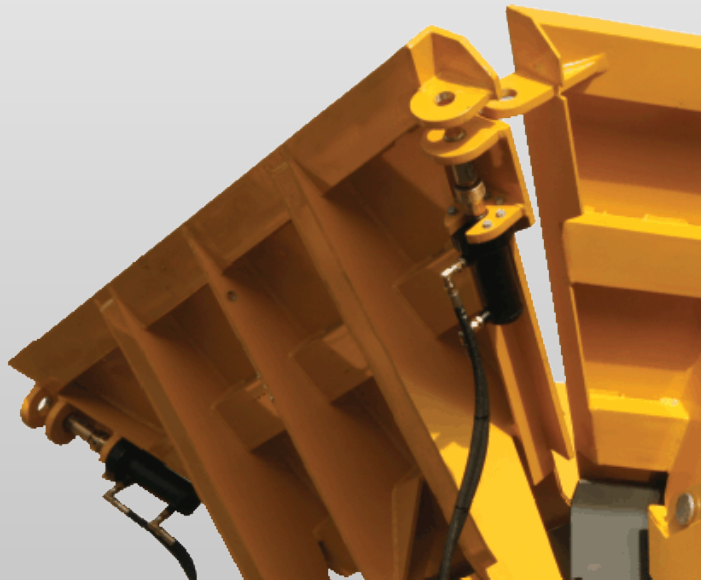


Feed Hopper Pins

Unique hydraulic locating and locking system

Increased safety feature

Removes the need to climb on the plant

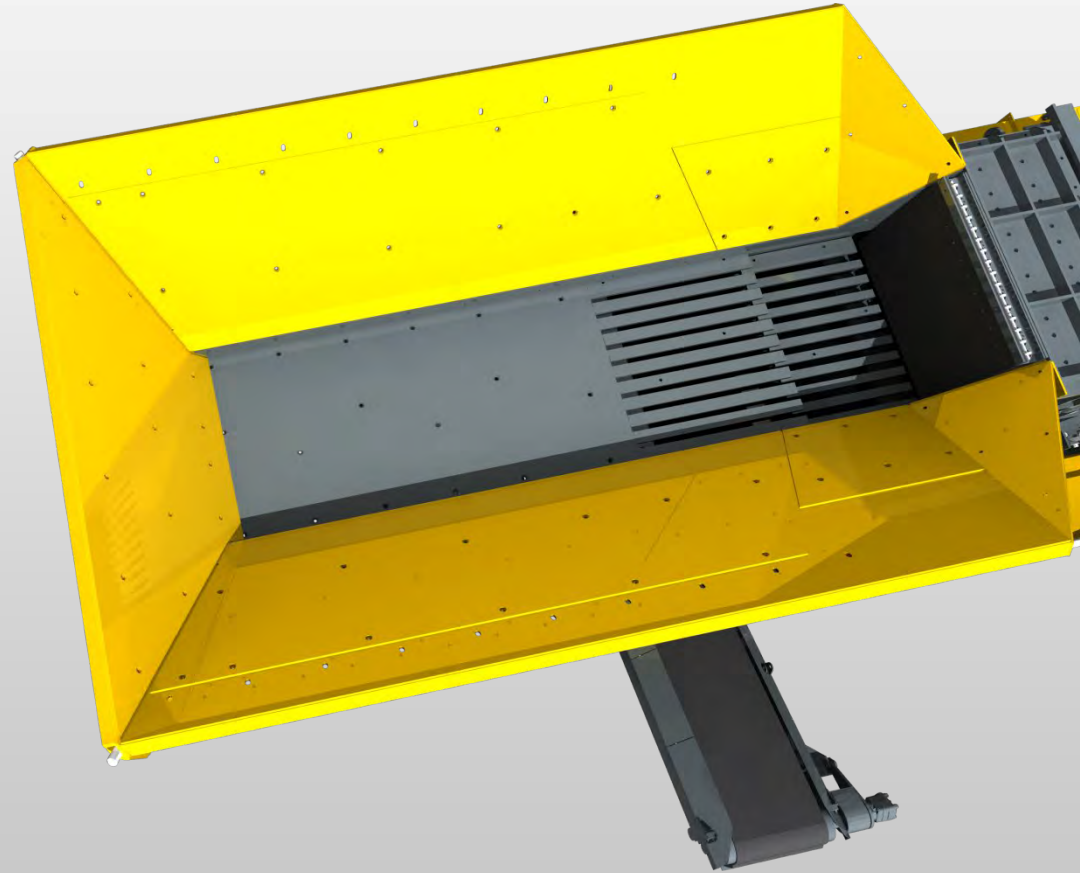


Feeder Liners

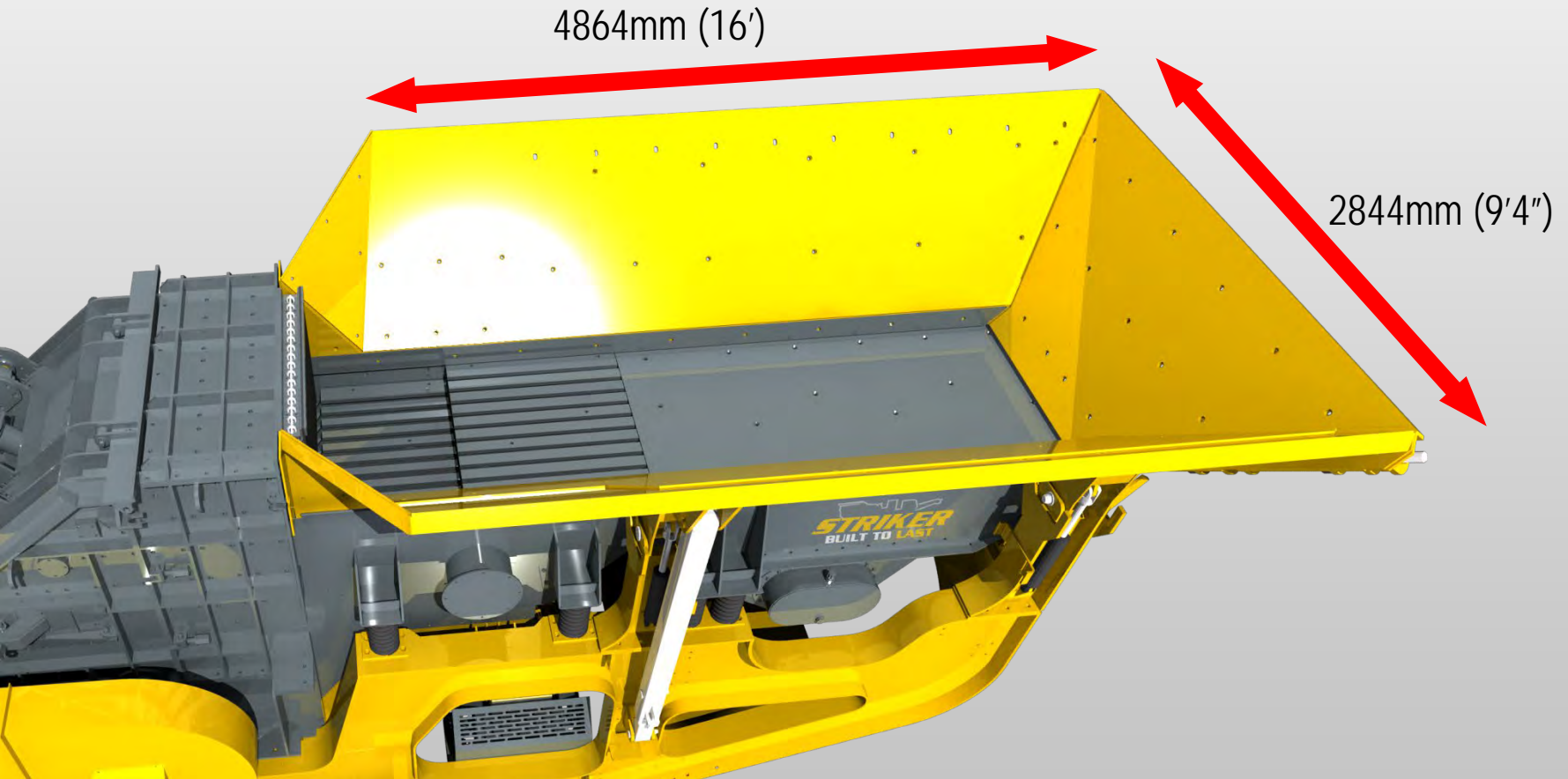
Fabricated from either high quality wear resistant steel plate or mild steel utilizing wear resistant liners

Feeder Liners to protect the hopper from excessive wear

Easy to replace



Feed Hopper Dimensions

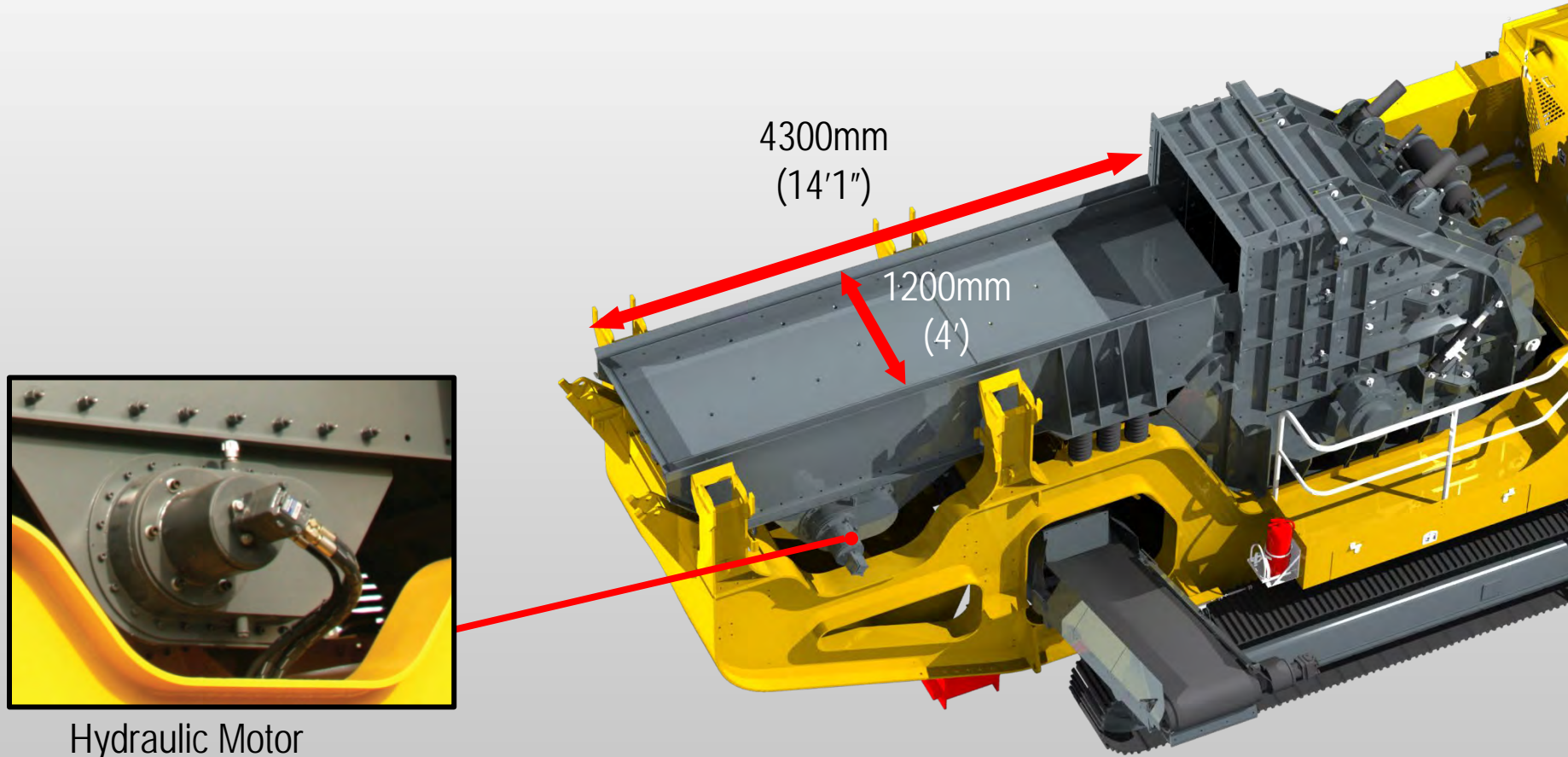


Grizzly Feeder

- Fabricated from wear resistant steel
- Grizzly cartridges with 43mm (1.6") nominal spacing
- Two stepped bolt in grizzly cartridges
- Twin shaft exciter coupled with hydraulic motor
- Variable speed control
- Blanking plates for grizzly
- Bottom deck media (Blanking mat for pre-screen bottom deck)



Grizzly Feeder Dimensions

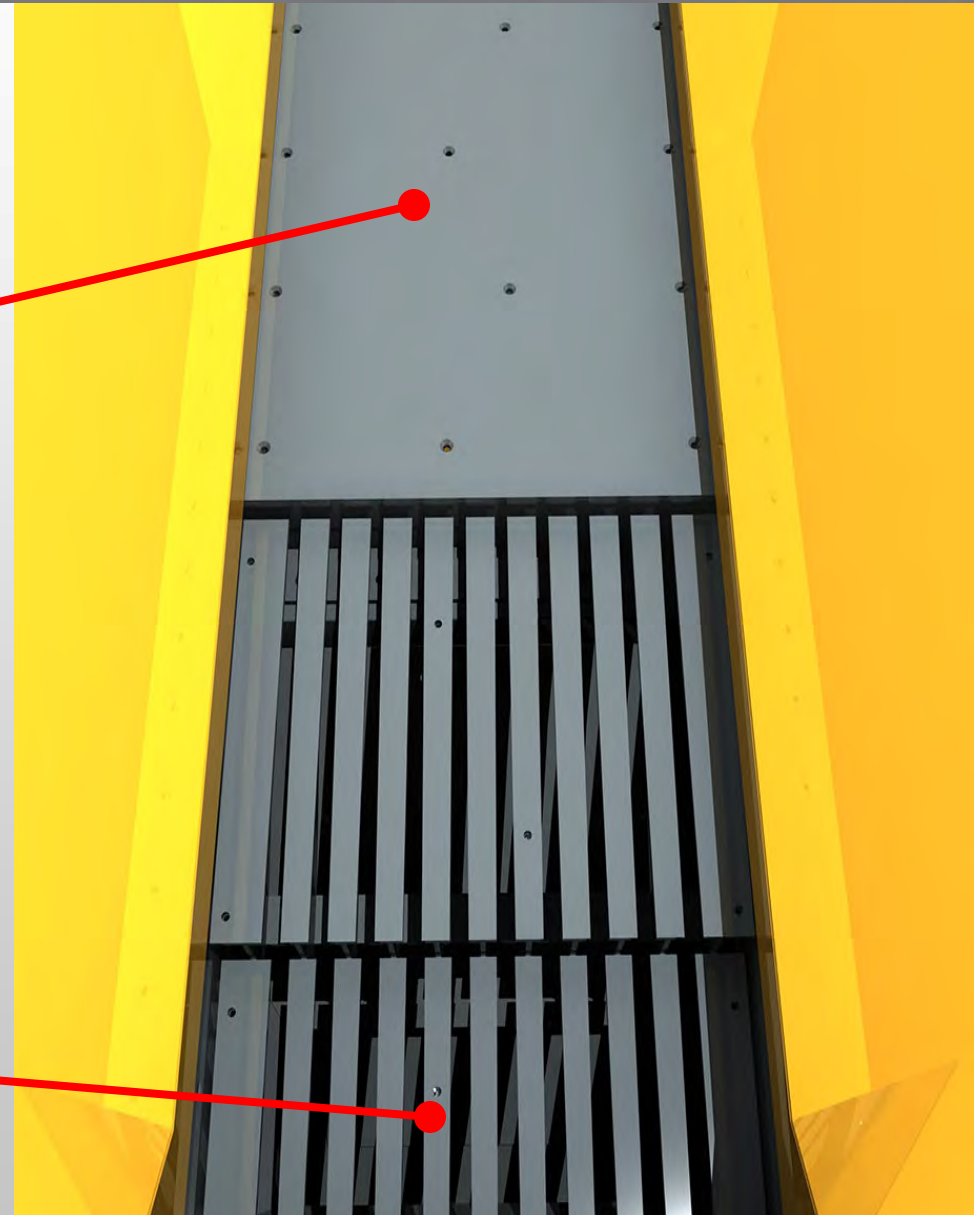


Hydraulic Motor

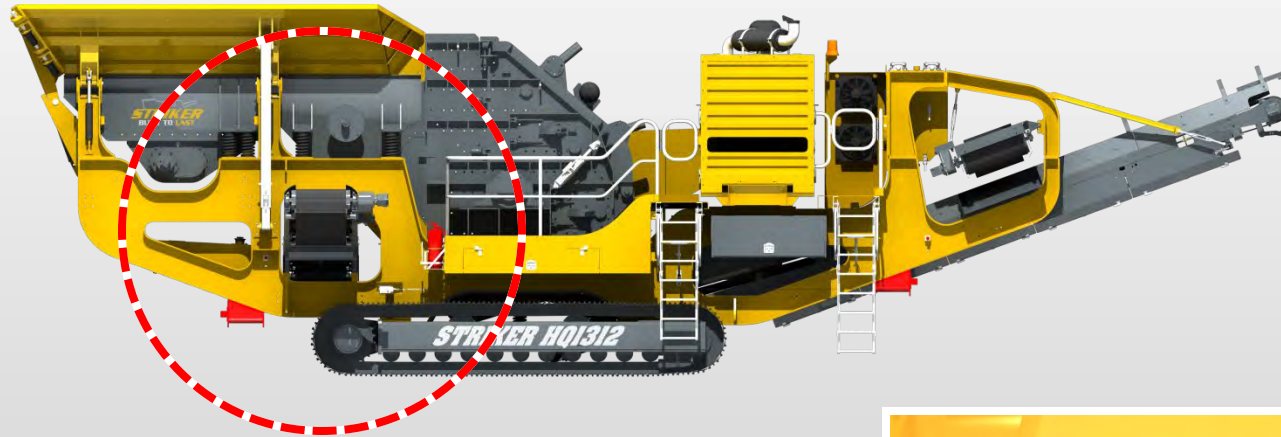
Grizzly Feeder

Wear Resistant Liners

Self Cleaning Stepped Cartridge



By-Pass Chute

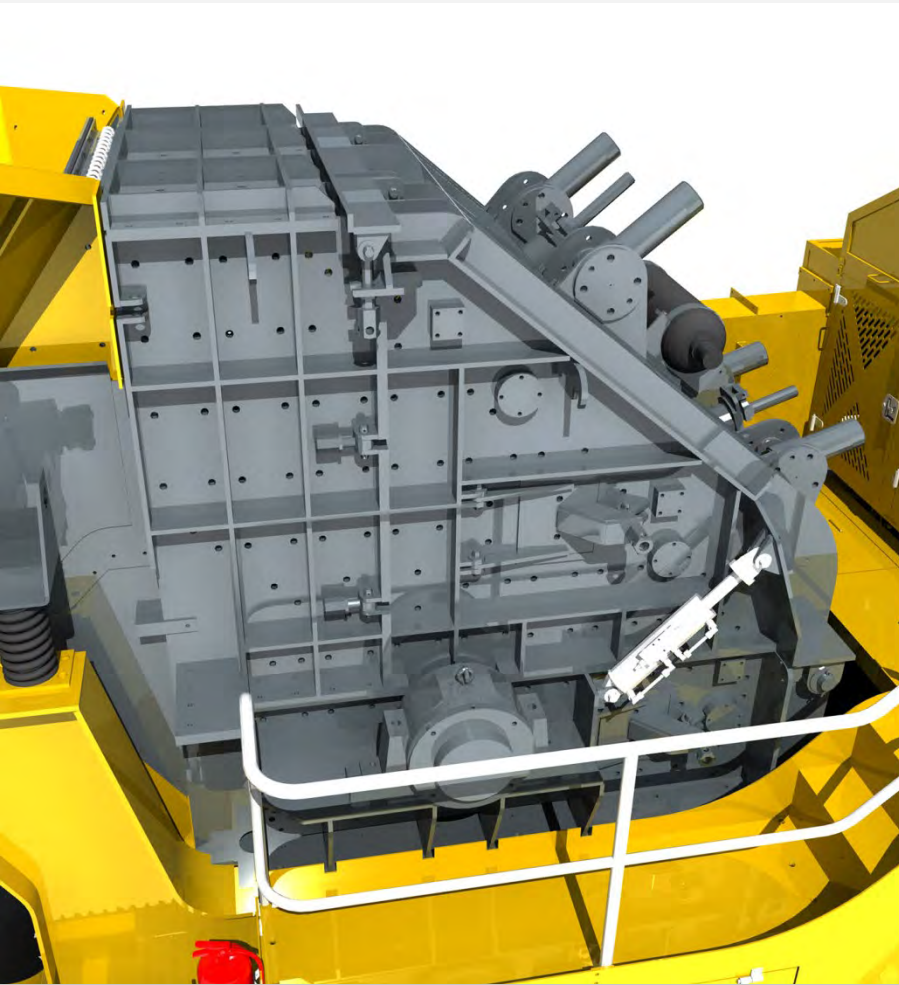


By-Pass chute removes natural fines from the feed material and discharge onto the "Side Discharge Conveyor"

The lever operates a two way door for diverting material either onto the "Forward Product Conveyor" or the "Side Discharge Conveyor"



Impactor

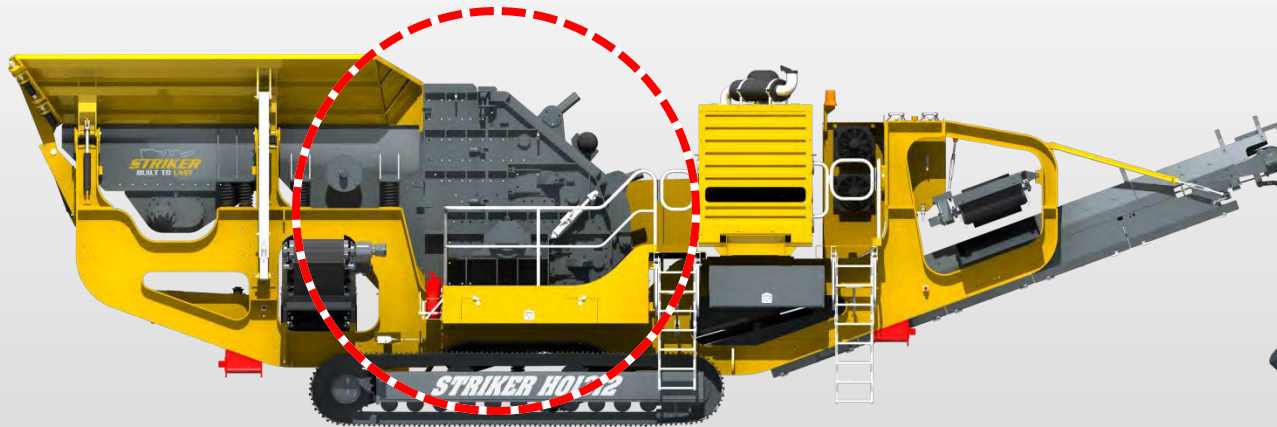


Well proven high performance impactor featuring heavy-duty open disc style rotors with four blows bars as standard

Blow bar support beams sized to ensure the rotor has the highest moment of inertia available

Hydraulic overload protection system

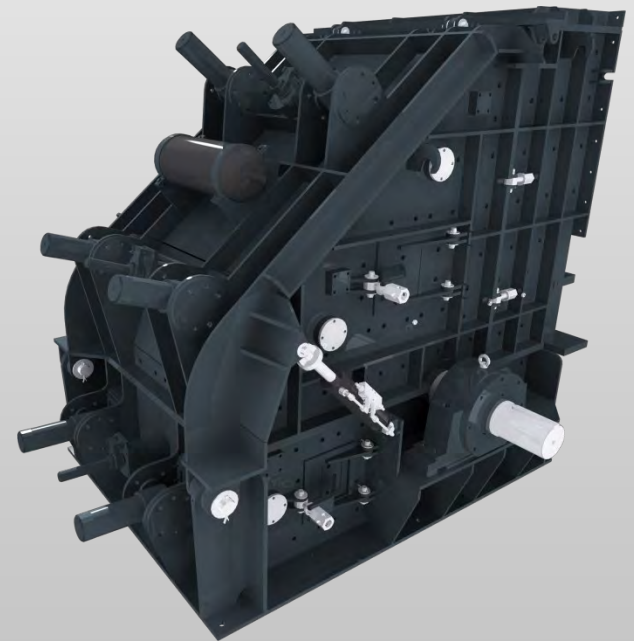
Impact Crusher



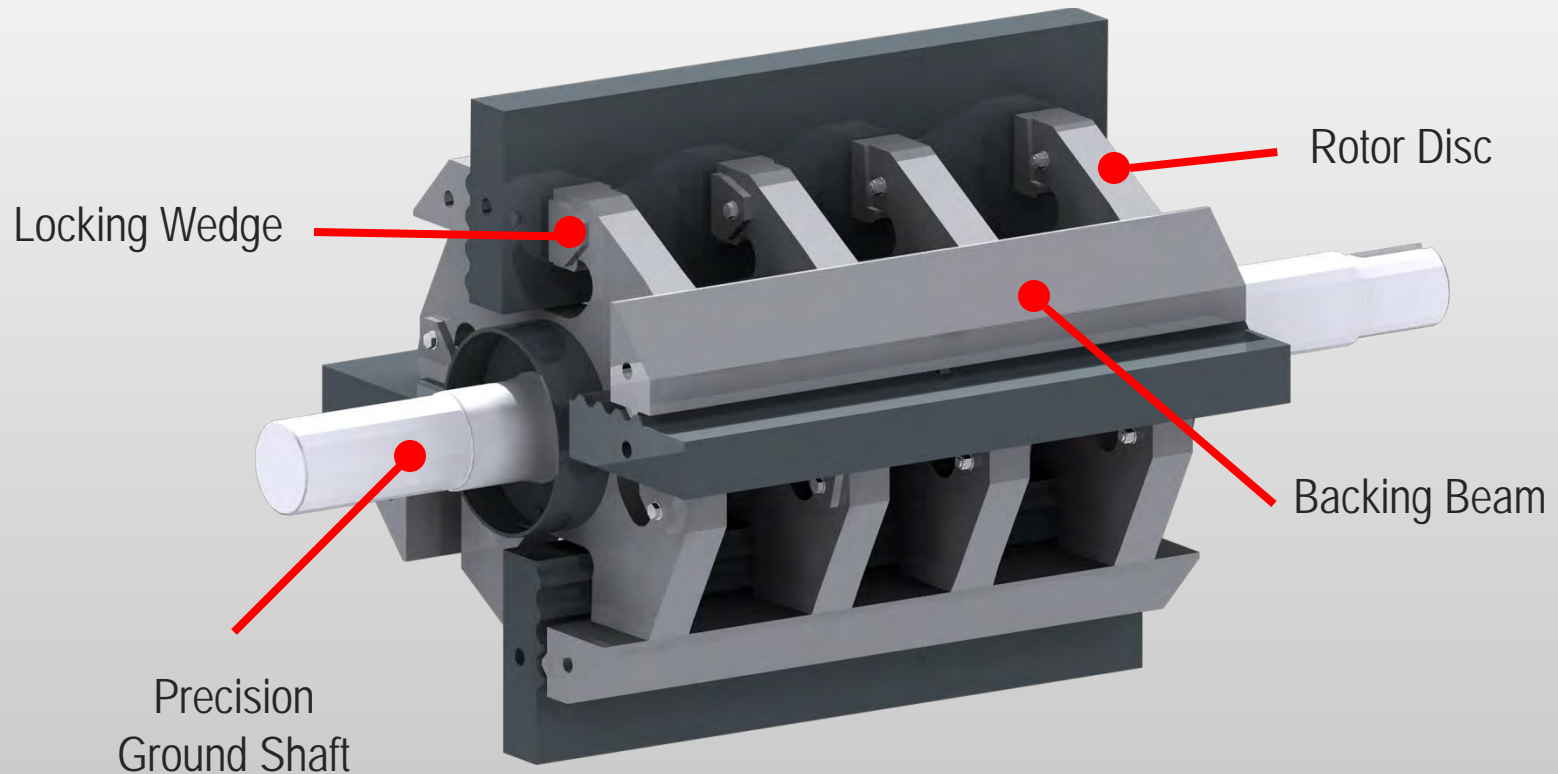
1300mm diameter x 1210mm (51" x 48")
wide impact crusher

150-350 tph capacity

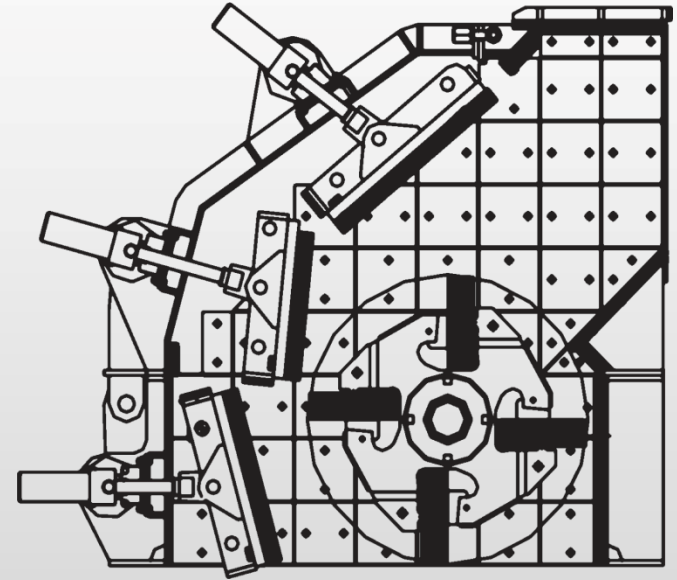
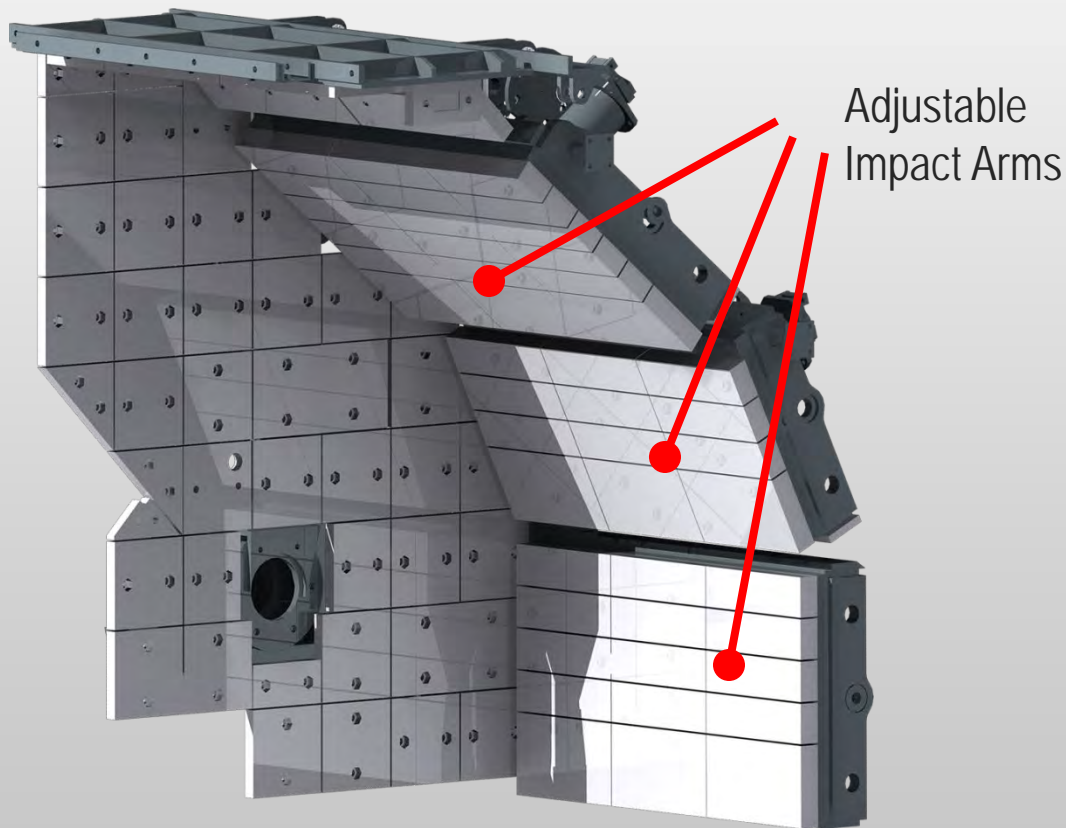
Maximum feed size 650mm (26")



Heavy Duty Rotor



Fully-hydraulic Impact Arms



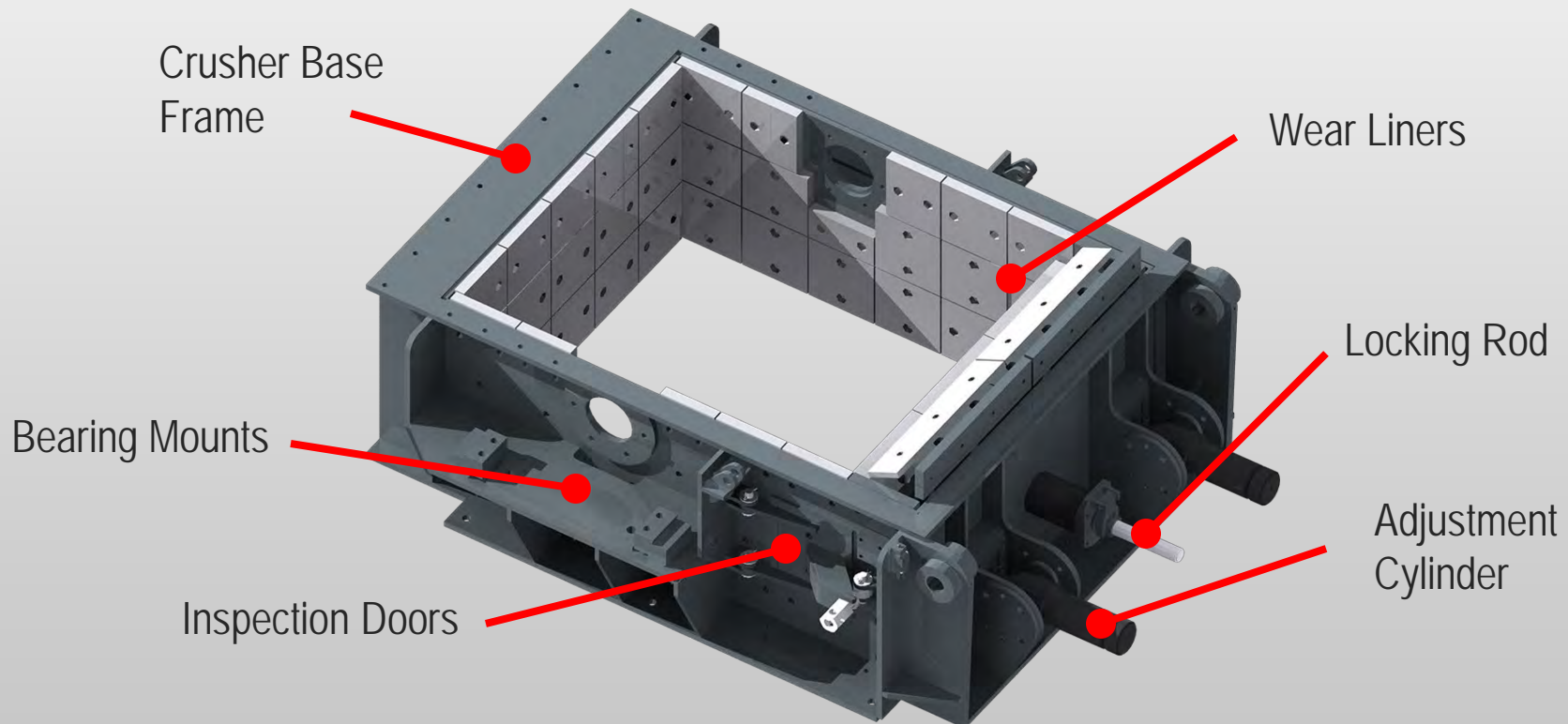
Interchangeable impact plates

Hydraulically adjustable gap settings
between impact arm and rotor

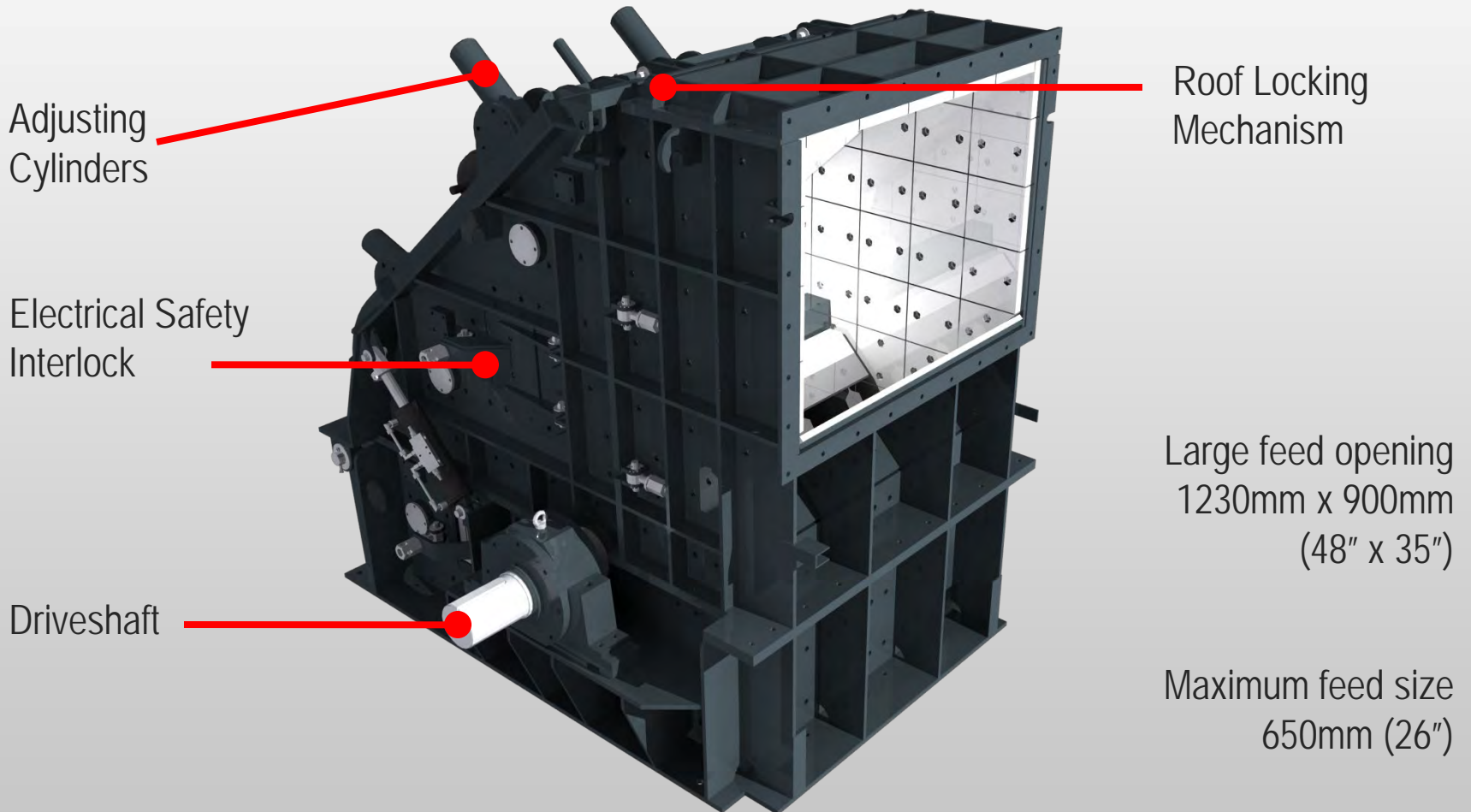
Overload protection system

Wear Liners

Wear liner plates are cast from wear resistant manganese and have been designed so more are interchangeable and turnable



Impact Crusher



Adjusting
Cylinders

Electrical Safety
Interlock

Driveshaft

Roof Locking
Mechanism

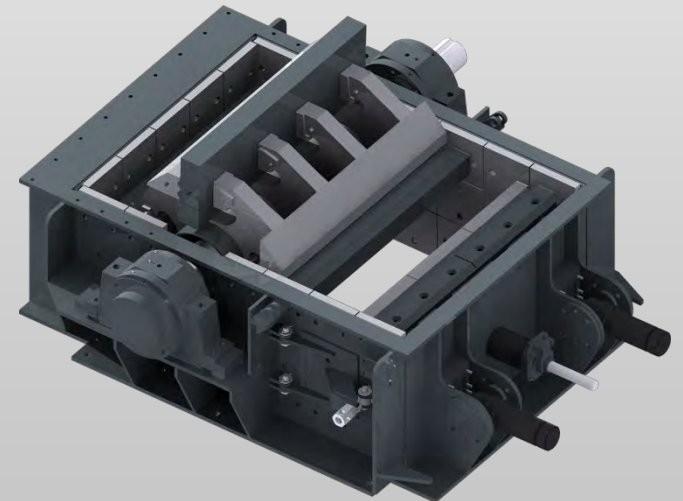
Large feed opening
1230mm x 900mm
(48" x 35")

Maximum feed size
650mm (26")

Impactor Bearings

The rotor is supported by bearings mounted in massive solid housings manufactured from steel blocks with self-purging labyrinth seals

Easy maintenance access



Heavy Duty Blow Bars

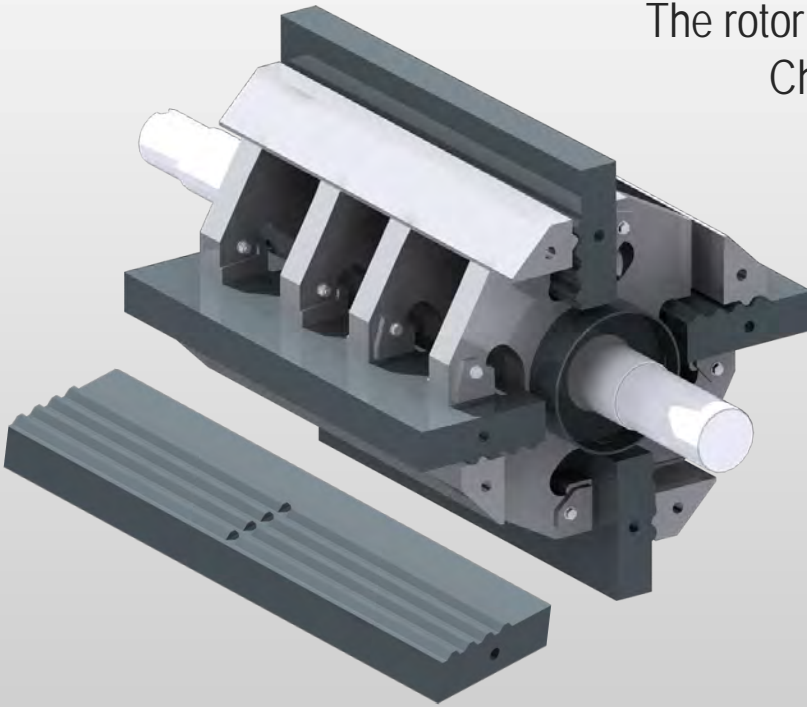
The rotor arms are equipped with 120mm (4.7") thick blow bars in Chrome Iron offering the highest wear resistance available

The blow bar thickness can be increased to suit larger feed sizes vital in recycling

Extended service life through a design that permits the bars to be lifted via the top as wear occurs

Maintenance is safer and more expedient than in other designs

Lifting cradle for blow bar



Impact Crusher Drive



Dedicated oil cooler for fluid coupling |

Quick easy belt tensioning |

Externally mounted and easily maintained |

Smooth start up, no belt slip |

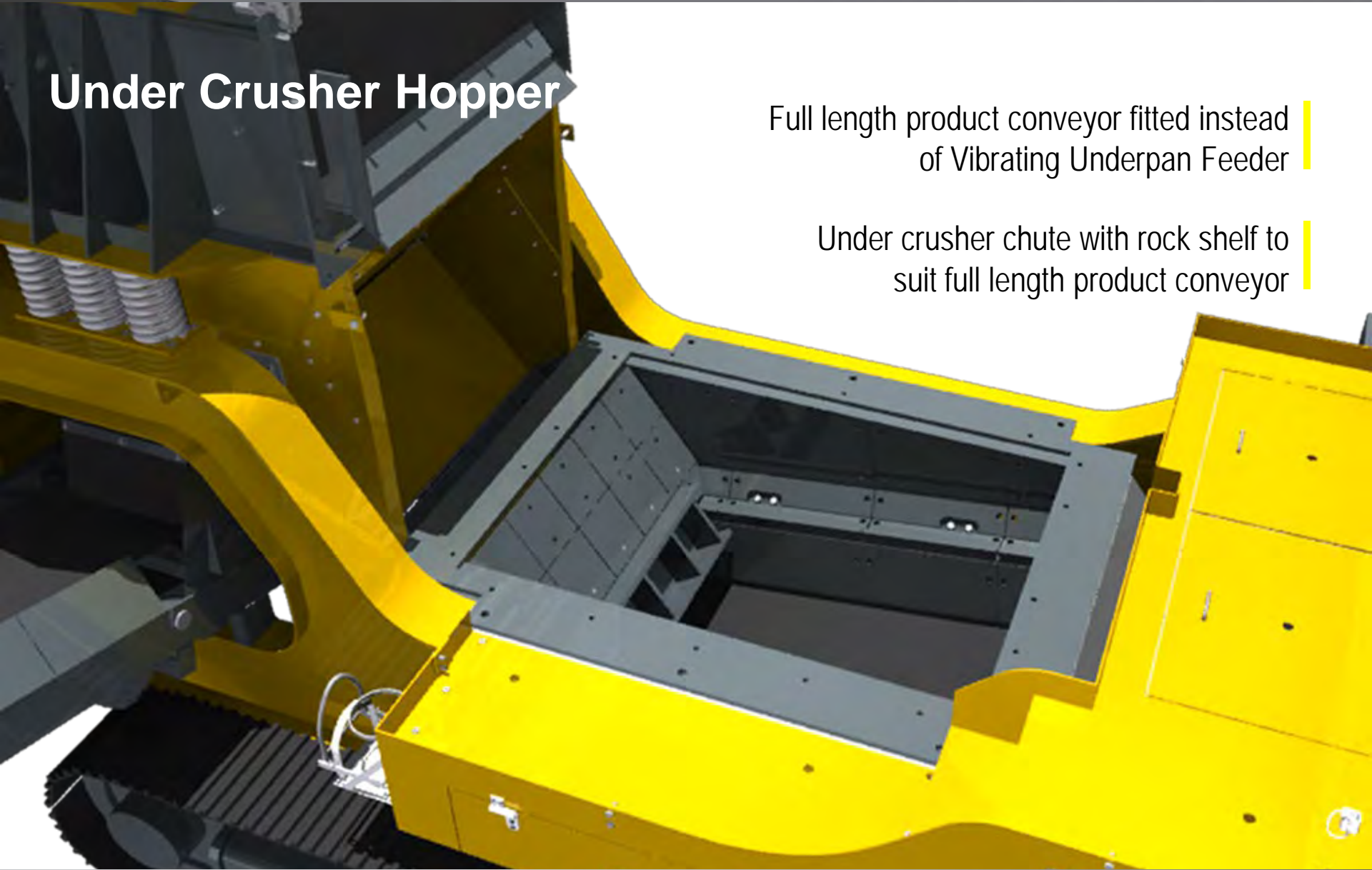
Shock & overload protection |

No friction linings creating longer life utilization |

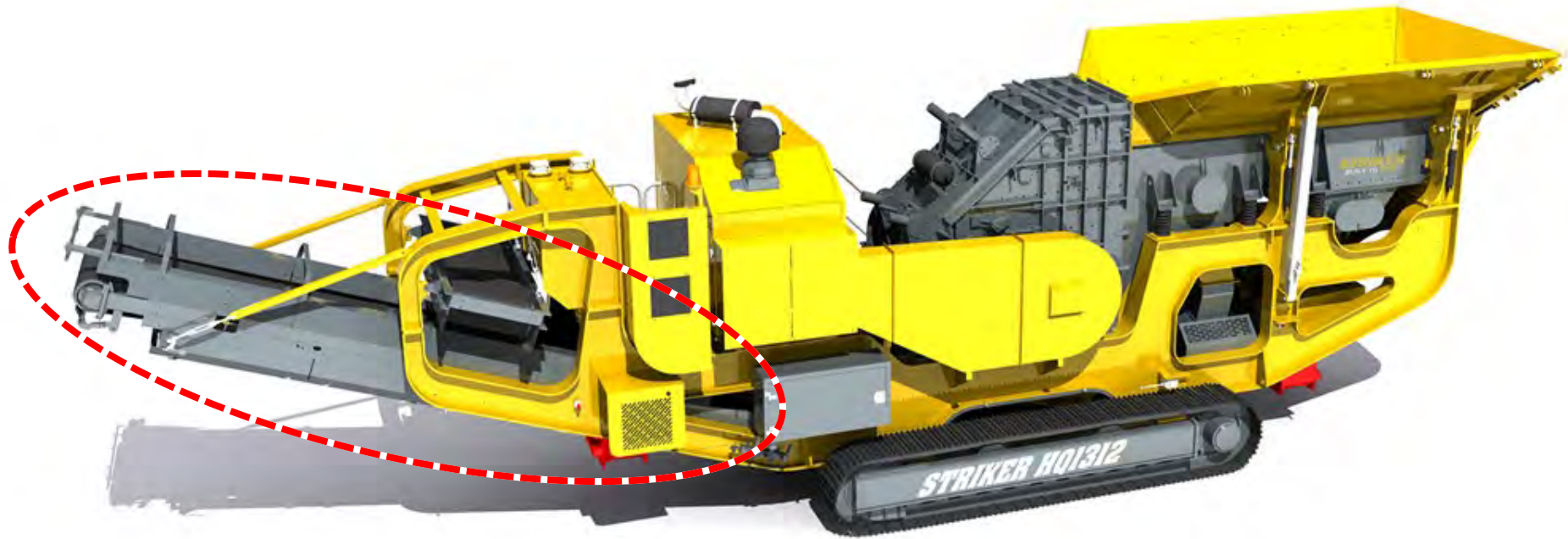
Under Crusher Hopper

Full length product conveyor fitted instead of Vibrating Underpan Feeder

Under crusher chute with rock shelf to suit full length product conveyor



Forward Product Conveyor



Forward Product Conveyor

Heavy duty extra wide belt 1200mm (48") wide 4 ply troughed conveyor

Fully skirted conveyor belt to reduce spillage with wear resistant steel liners for durability

Conveyor Guards

- | Quick release system for maintenance
- | CE Compliant
- | Safety against moving & rotating parts



Forward Product Conveyor

Hydraulic drive at the head drum

Belt cleaner located after the discharge point to ensure that sticky material is removed preventing tracking issues

Greasing lines to the head drum

Self-aligning spherical roller bearings

Lagged head drum to prevent belt slippage



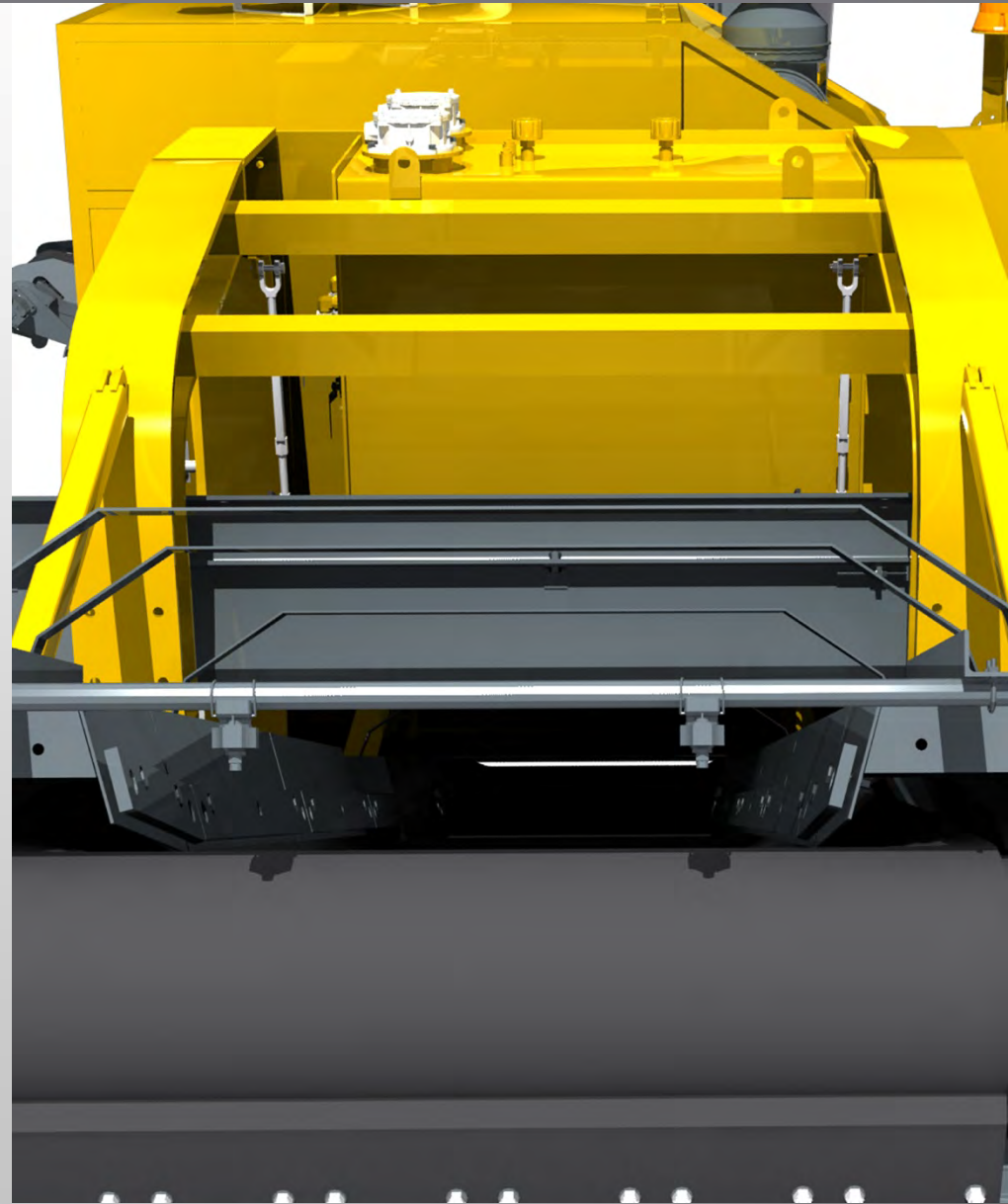
Central Greasing Point

- | Central greasing point
- | Robust, durable greasing lines, not plastic
- | Located at ground level
- | Saves on maintenance time



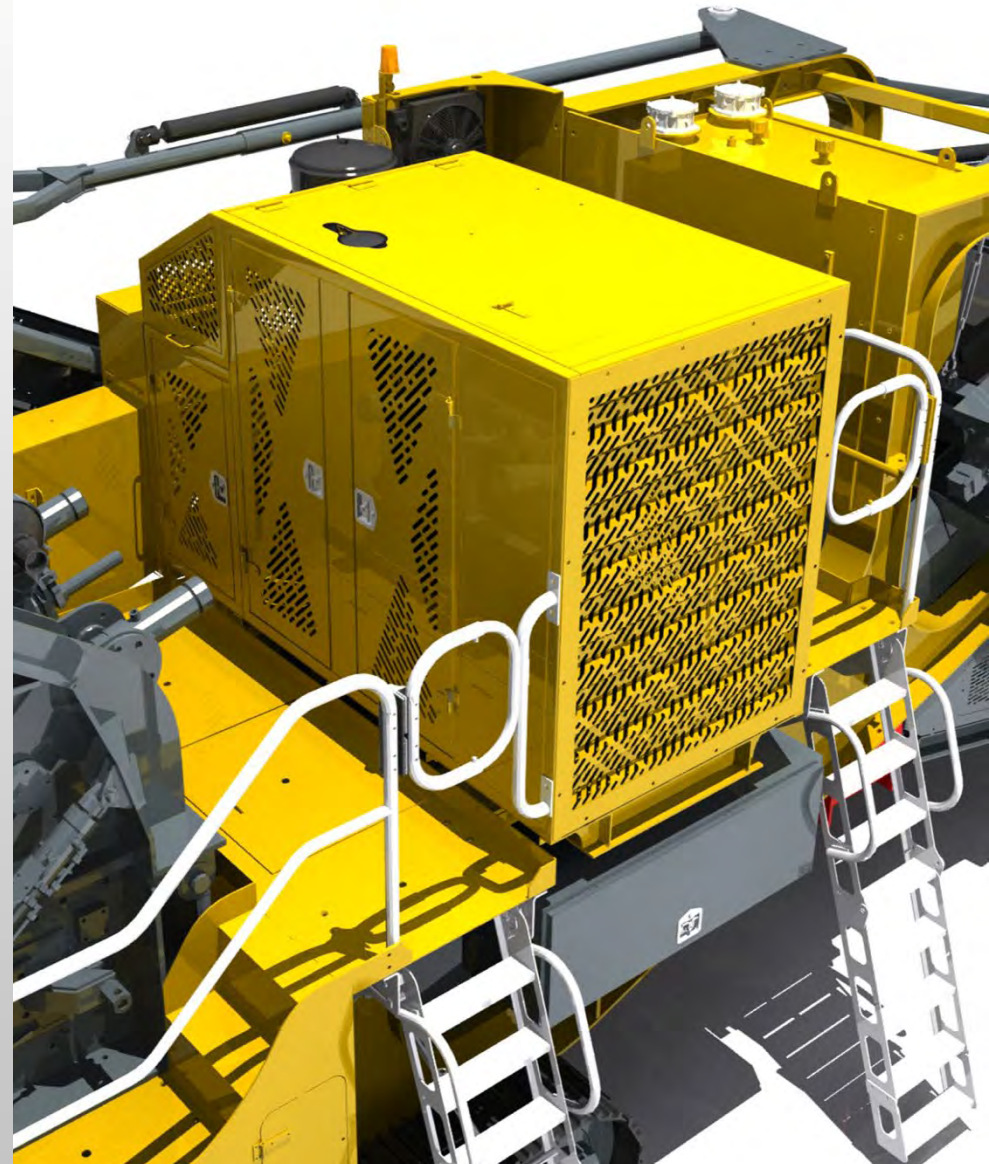
Dust Suppression

- Environmentally friendly on-board solution to dust control from the impact crusher
- Dust Suppression sprays and manifold
- Dust Suppression in two isolated locations
 - 1) Impact crusher discharge chute
 - 2) At the top of the product conveyor



Powerpack

- Powered by a CATERPILLAR® C13 ACERT Tier 3 / Stage 3A engine rated (328kW)
- Engine complies with all current emission laws
- Hot climate oils (Recommended for ambient temperatures between +15°C to +50°C)
- Easy access for maintenance via 3 panel doors and generous working platforms
- Easy to maintain, reliable and efficient
- Load sensing hydraulic pumps to maximise fuel efficiency

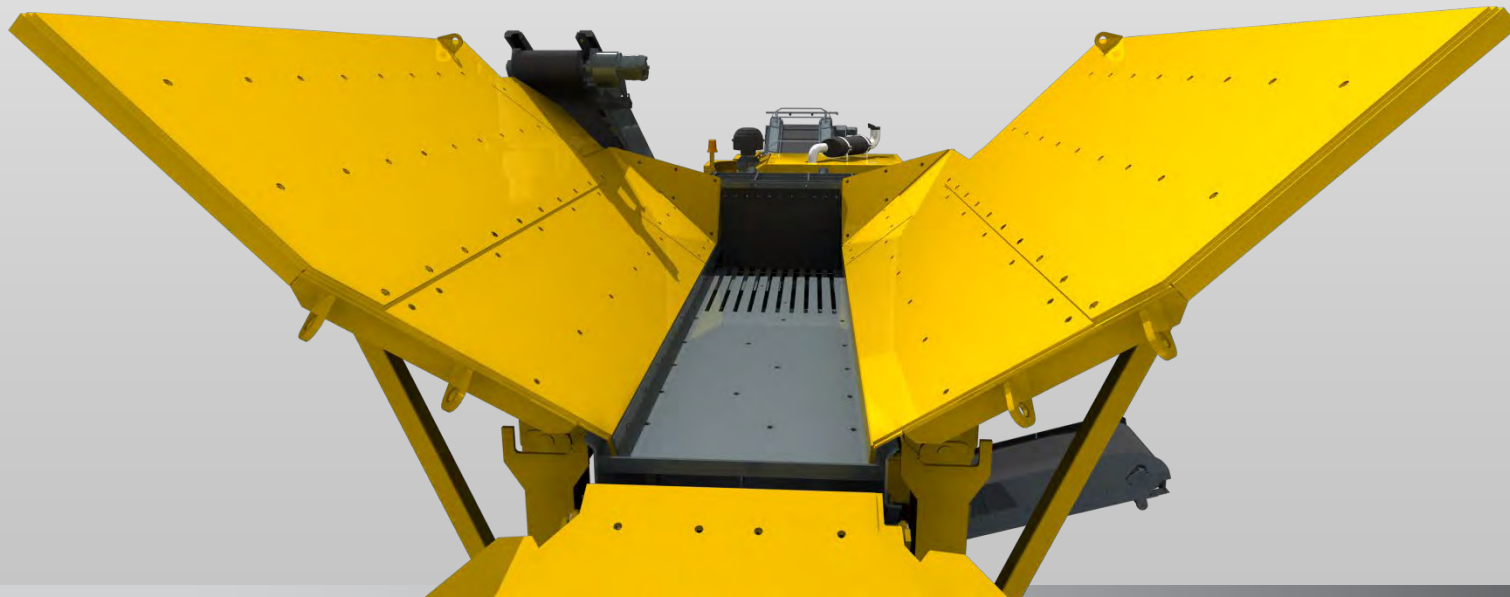


Options

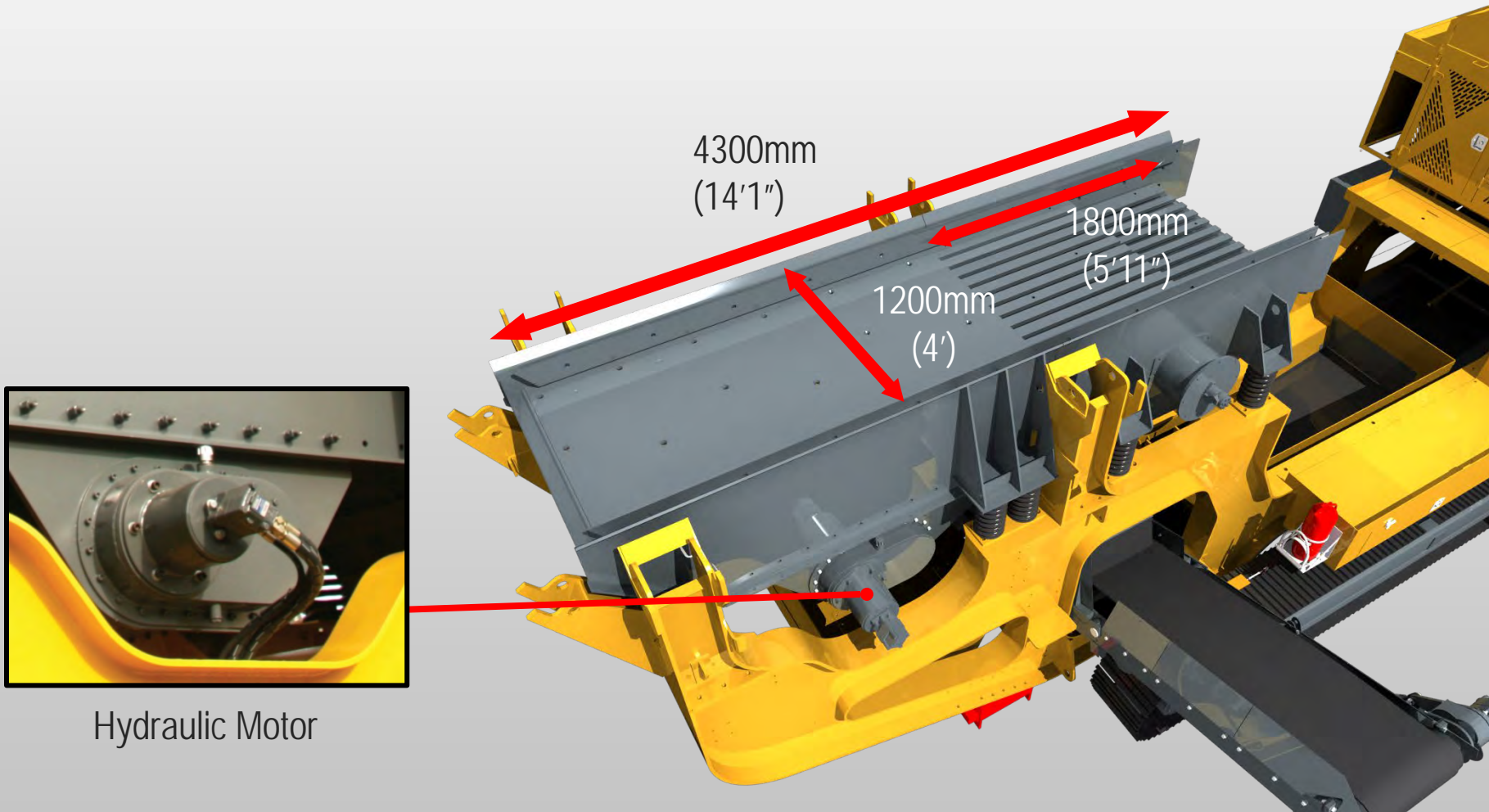
- | Wear resistant steel hopper liners
- | Feed hopper extension wings
- | Centralised lubrication system
- | Product conveyor dust covers
- | Impactor high speed conversion
- | Hydraulic water pump
- | Overband magnet
- | Side discharge conveyor
- | Pan feeder under crusher
- | Arctic package for operating conditions – 20 ° C
- | Desert package for operating conditions + 50 ° C
- | Plant lighting tower
- | 3 meter air extension kit for engine air cleaner

Feed Hopper Extension Wings (Option)

- | Heavy duty wear resistant steel feed hopper construction
- | Hydraulically operated folding side and rear wings
- | Reinforced box section webs
- | Rapid set up time



Grizzly Feeder Dimensions



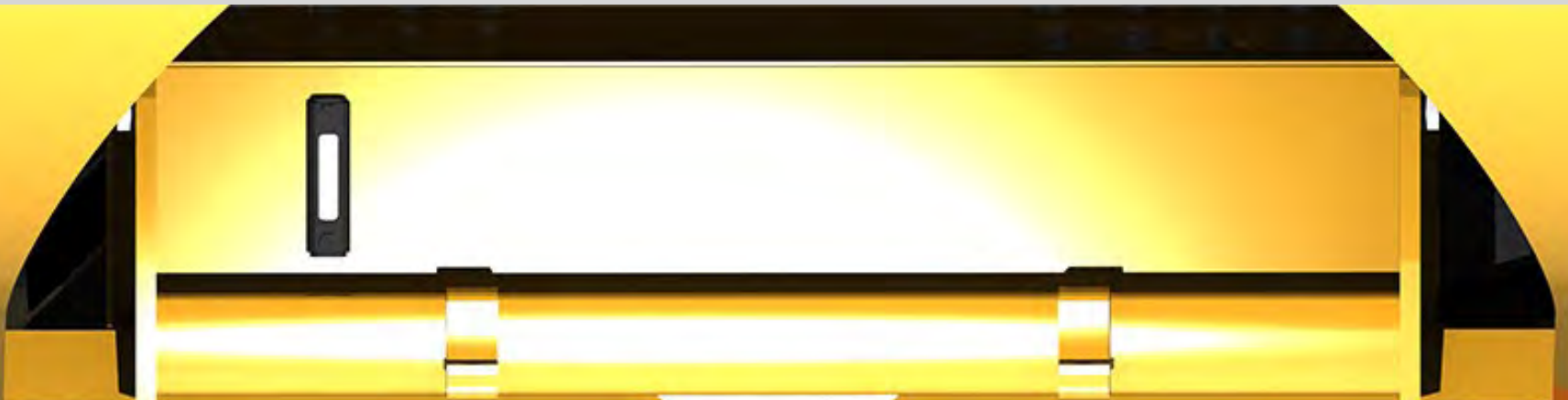
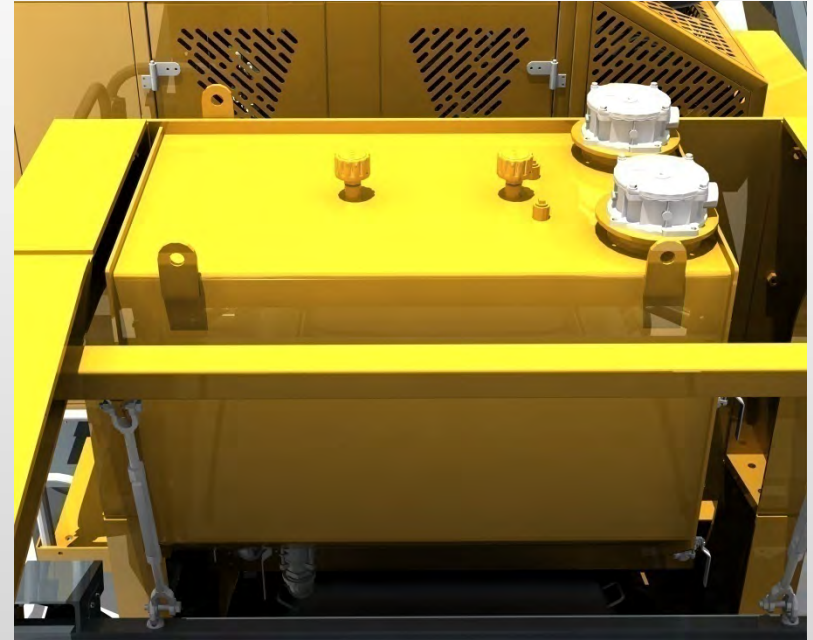
Powerpack

- Powered by a CATERPILLAR® C13 ACERT Tier 3 rated (328kW)
- Engine complies with all current emission laws
- Hot climate oils (Recommended for ambient temperatures between +15°C to +50°C)
- Easy access for maintenance via 3 panel doors and generous working platforms
- Easy to maintain, reliable and efficient
- Load sensing hydraulic pumps to maximise fuel efficiency



Fuel & Hydraulic Tank

- 820 litre (180.4gal) standard capacity fuel tank or option to increase to 900 litre (198gal)
- Hydraulic oil filtration system and air filter



Hydraulic Components

Easy access to hydraulic components for maintenance

Simple ON/OFF hydraulic blocks

Double hydraulic coolers

The hydraulic system powers:

Crusher

Tracks

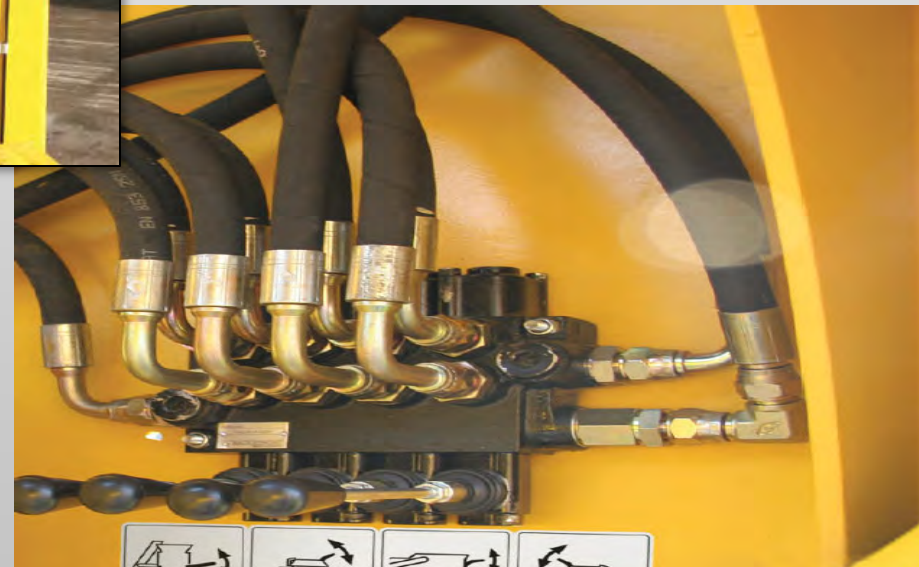
The hopper wings and securing pins

Forward & side conveyors

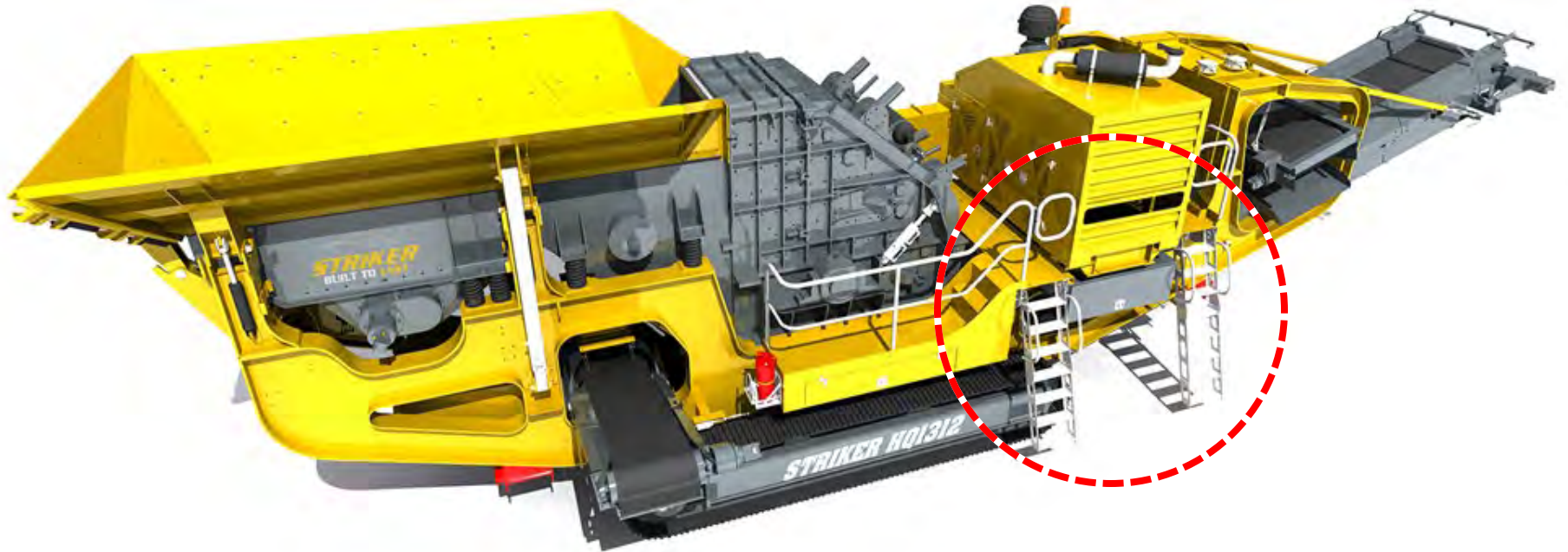
Vibrating Grizzly Feeder

Optional screen & recirculation conveyor

Forward support legs



Controls



Controls

- Simple user friendly screen
- Ability to change the displayed language
English, Mandarin, Bahasa, Afrikaans in
the HMI settings
- Clearly marked diagrammatic display



Ability to switch between metric and standard imperial units of measurement

Rugged CAN based modular I/O

Low voltage 24v system

Sealed IP54 cabinets to prevent the ingress of dust & water

Remote Control Unit

- | Battery level indicator (on the display)
- | Signal strength indicator (on the display)
- | Proportional control of the tracks
- | Steer mode
- | Tramming mode
- | Feeder ON/OFF and speed control
- | Charging via a cigarette lighter plug 12/24vdc
- | A charging/storage dock mounted on the machine so it's always on hand and full charged
- | Radio remote control unit
- | Striker optimax engine and feeder controller



Battery Maintenance Access

Service access to the batteries

Location for isolation during maintenance and welding on plant:

Two Isolator available:

- 1) Battery isolator
- 2) Starter motor isolator for testing controls & electrical system with the engine isolated



Manual Hydraulic Controls

Clearly marked manual hydraulic levers power the following and are easy to operate and allow for quick set-up of the plant:

Hopper sides

Hopper securing pins

Side discharge Conveyor

Screen

Recirculation conveyor

Forward support legs

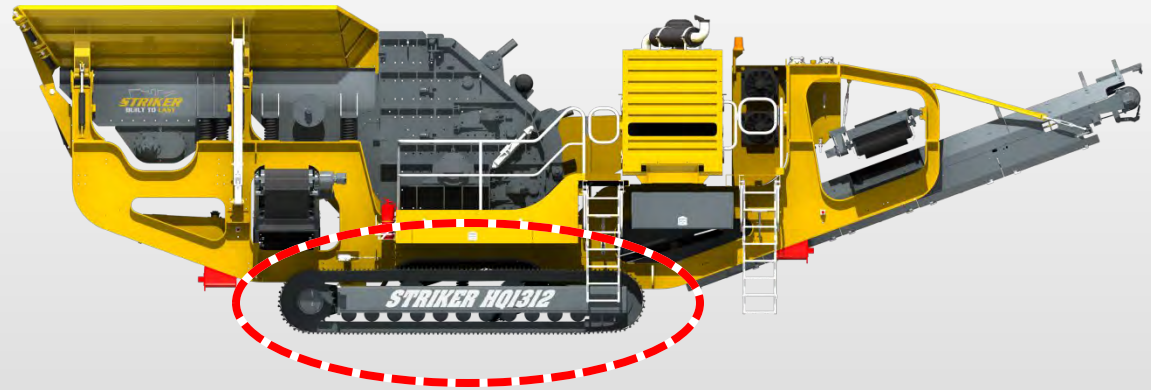


Tracks

Hydraulically driven
crawler tracks

Track centres 4085mm (13'5")

Track shoe width 500mm (1'8")



Feed Hopper Extension Wings (Option)

- | Heavy duty wear resistant steel feed hopper construction
- | Hydraulically operated folding side and rear wings
- | Reinforced box section webs
- | Rapid set up time



Grizzly Feeder (Option)

Grizzly cartridges with 60mm (2.4") nominal spacing

2 deck live Pre-screen c/w Pan Feeder instead of Vibrating Grizzly Feeder, Hydraulic folding feed hopper sides and rear hydraulic locking mechanism

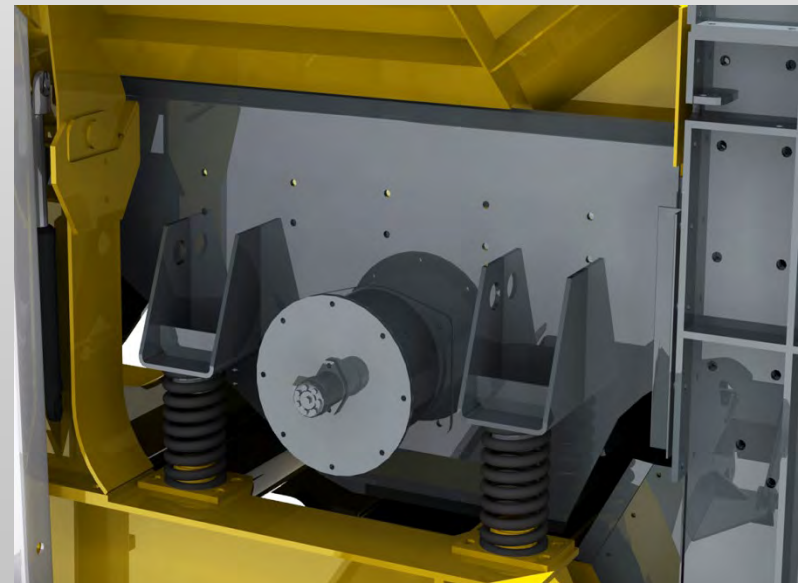
Top deck mesh cartridges: Please Specify Mesh Size:

Wire mesh for Pre-screen (Please specify Size: 10, 20, 30, 40, 50mm)



Independent Grizzly (Option)

- Independent vibrating double-deck pre screen ensures effective screening of fines for optimal final grain quality
- Reduction of wear in the crusher area by diverting the medium grain directly to the discharge chute
- Simple and safe replacement of screen mesh in upper and lower deck
- Reduction of bridging due to leveling of the feed material before the crusher
- Comfortable discharge height of side discharge conveyor avoids damage by wheel loader

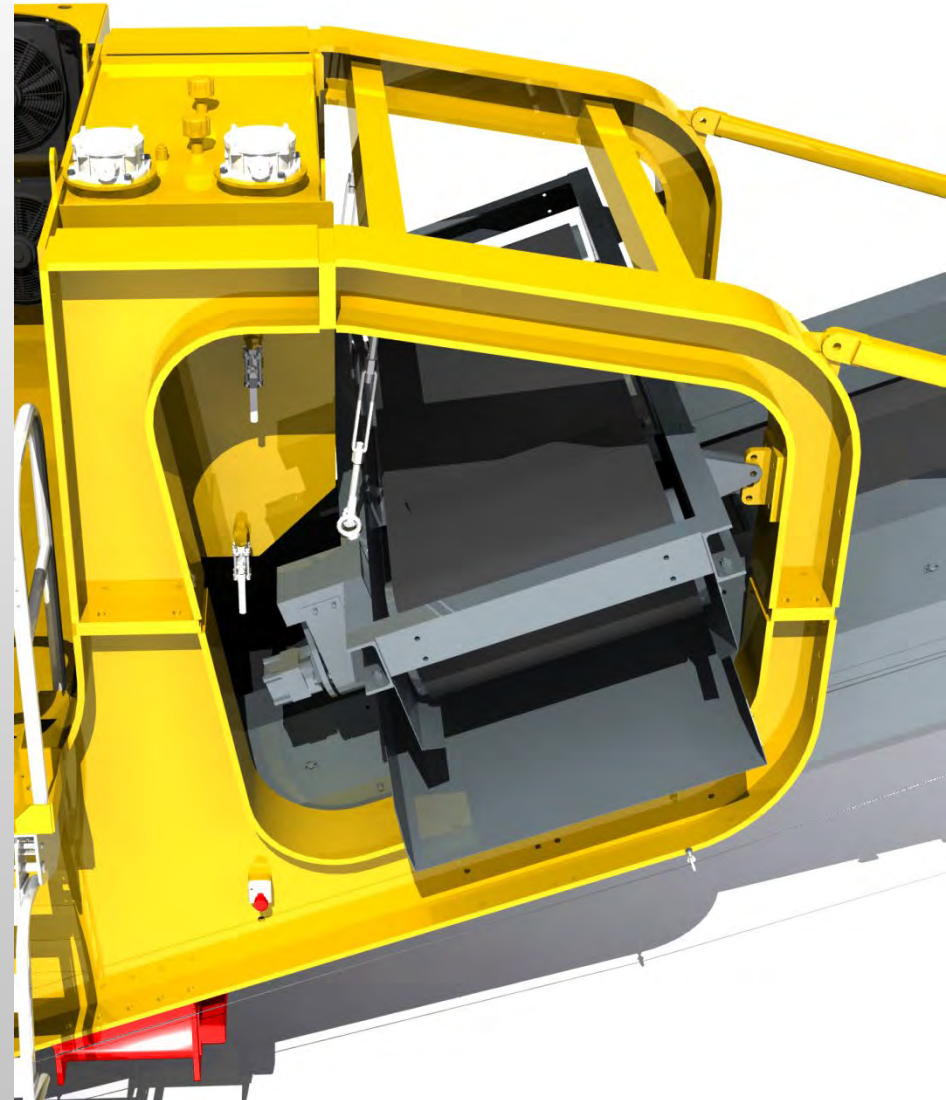


Dust Suppression (Option)

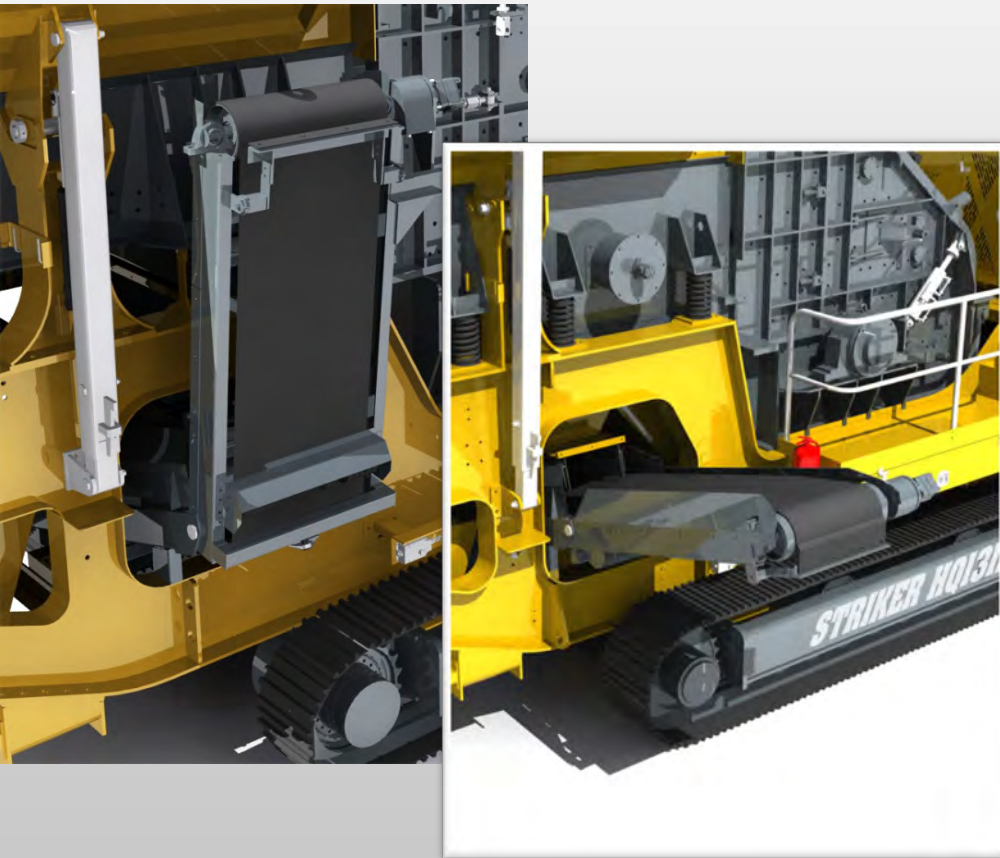
- | Water Pump

Overband Magnet (Option)

- Designed to separate any steel material from the crushed rock or demolition waste
- Variable belt speed
- The magnet is height adjustable and can be lowered or raised to suit any application
- Magnet preparation c/w hosing, shedder plate and mounting bracket
- Single Pole Magnet c/w hosing, shedder plate and mounting bracket
- Twin Pole Magnet c/w hosing, shedder plate and mounting bracket



Side Discharge Conveyor (Option)



Hydraulically folding side discharge conveyor for transport

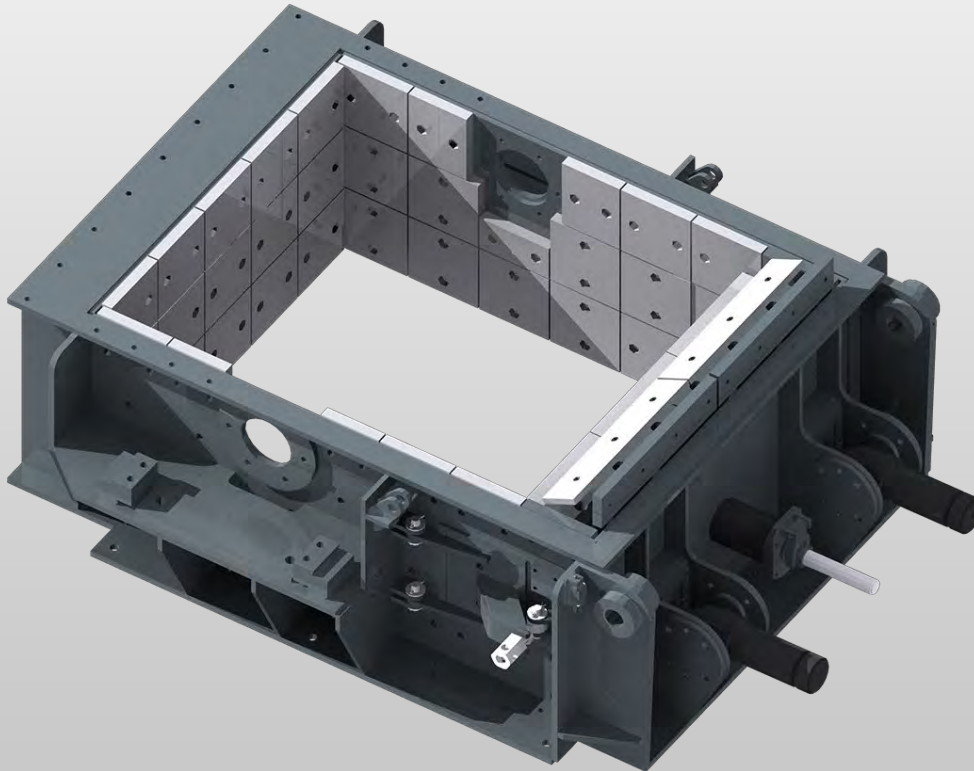
The by pass chute transfers removal of fines on to the side discharge conveyor

2.6m (102") discharge height, can be extended to 3.6m (142") discharge height as optional

600mm (24") wide belt

Folds in uniquely under the hydraulically folding side hopper when in transportation

Wear Liners (Option)

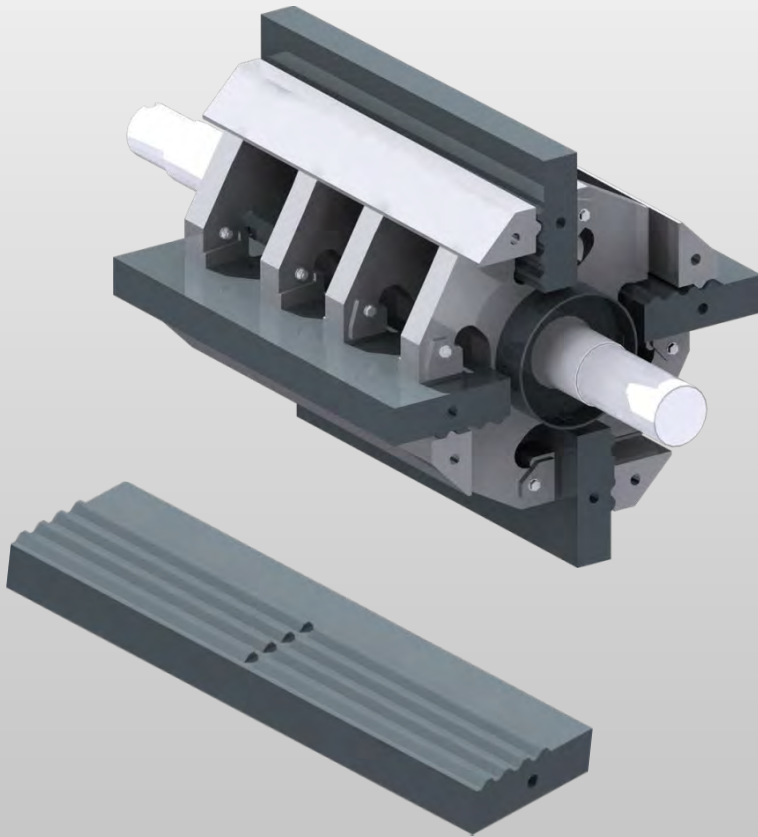


Chrome body liners

Hardox body liners

Chrome impact plates

Heavy Duty Blow Bars (Option)



Two full size chrome and two half size bars

Four full size chrome blow bar

Crane for blow bar change

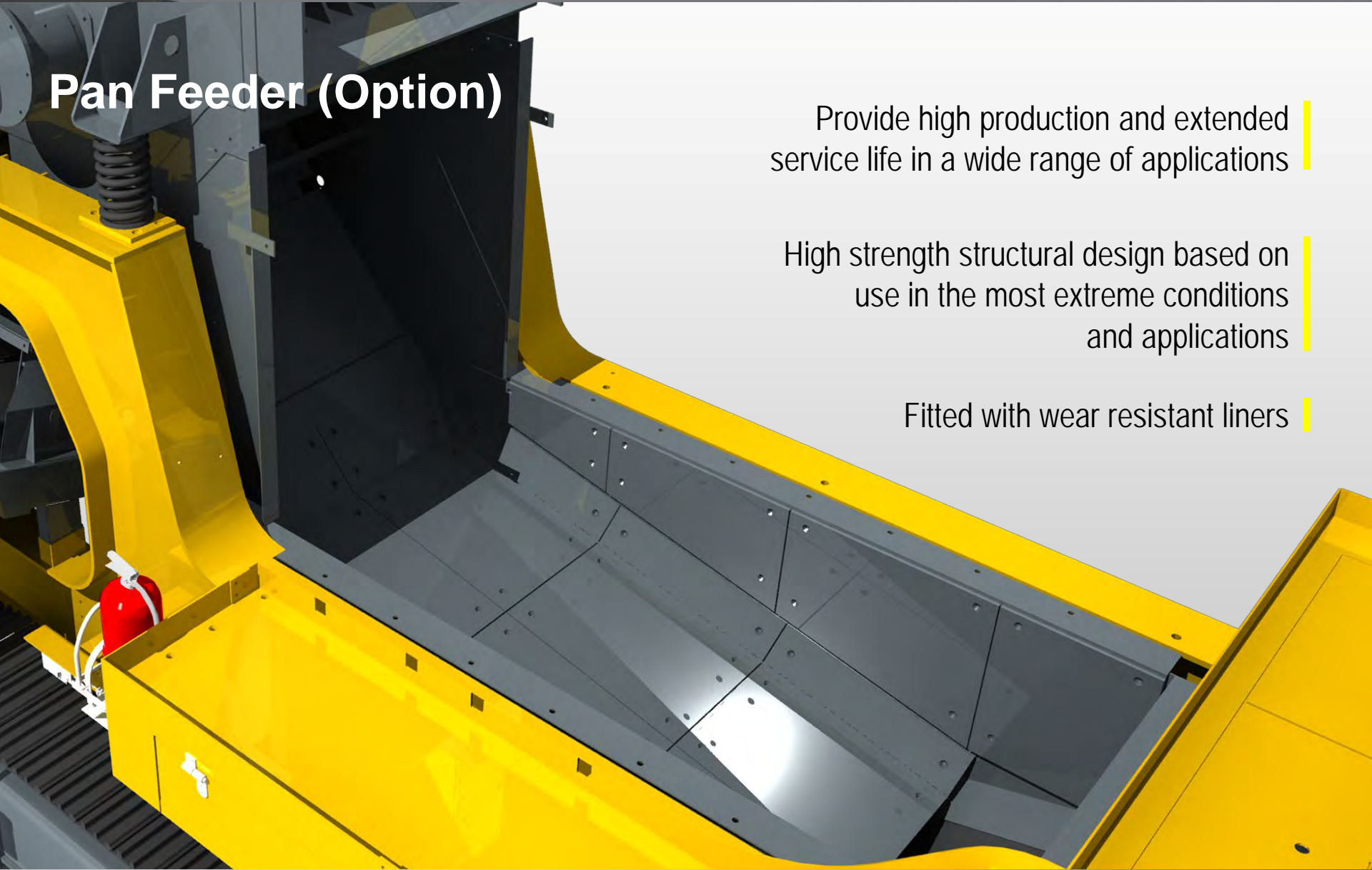
Roof raiser on impactor

Pan Feeder (Option)

Provide high production and extended service life in a wide range of applications

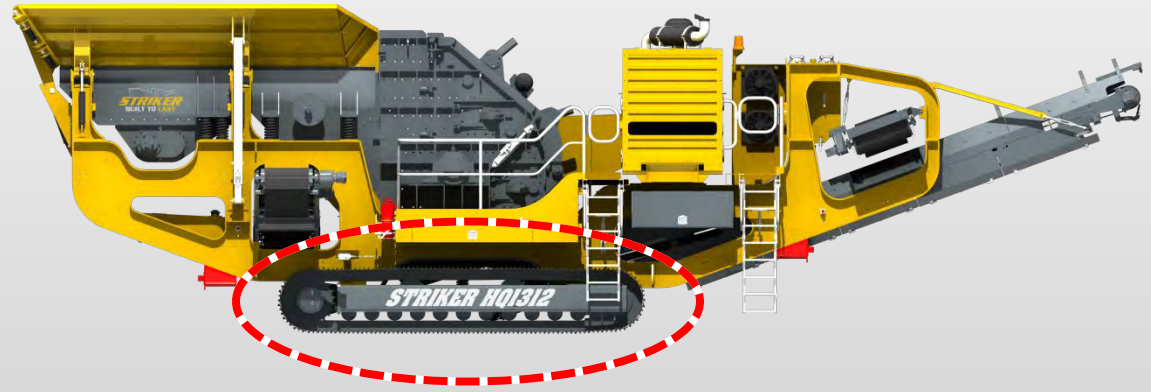
High strength structural design based on use in the most extreme conditions and applications

Fitted with wear resistant liners



Tracks

Lift and widen machine track kit for extra ground clearance



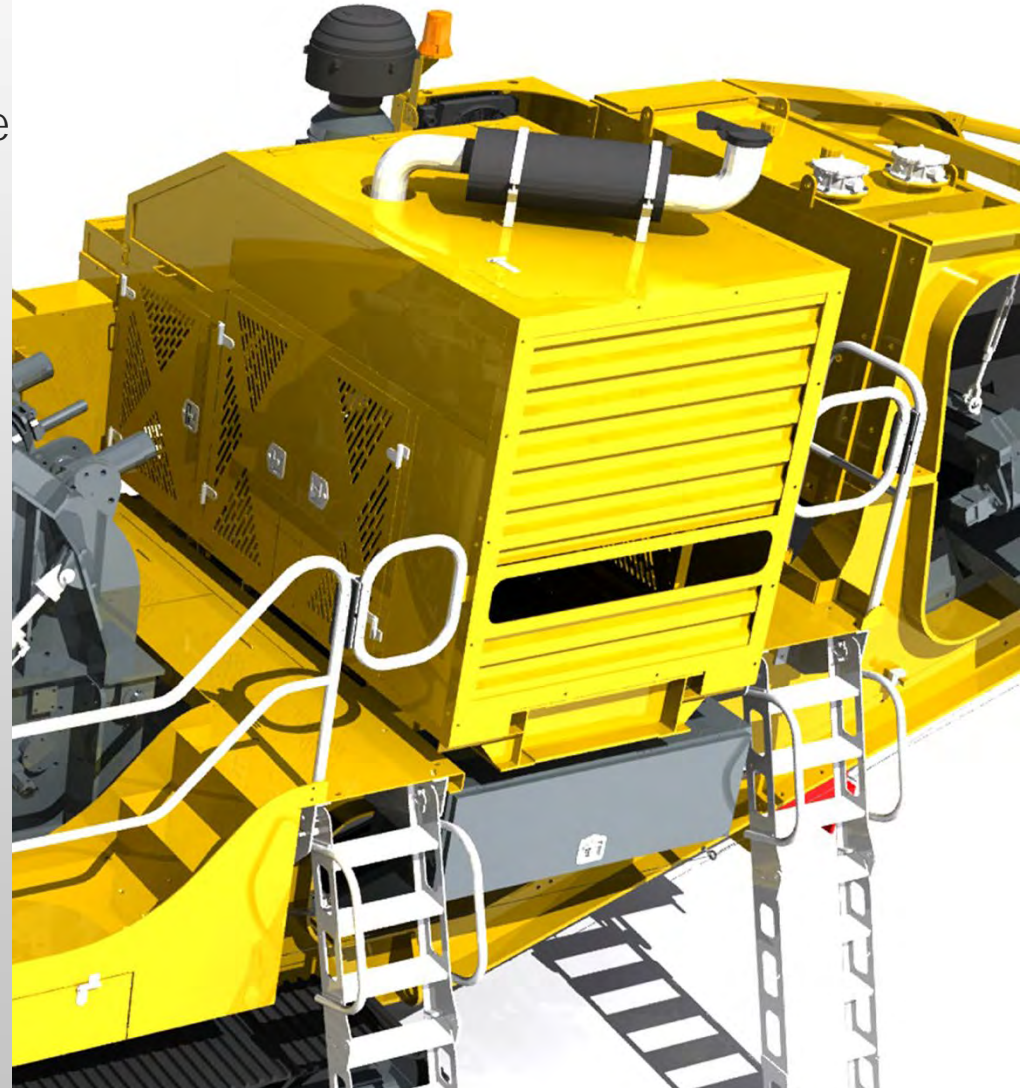
Powerpack (Option)

Powered by a CATERPILLAR® C13 LRC engine
Tier 4 rated (328kW)

Cold climate oils (Recommended for ambient
temperatures between -20°C to +30°C)

Radiator blast guards

Plant lighting mast



Remote Control Unit (Option)

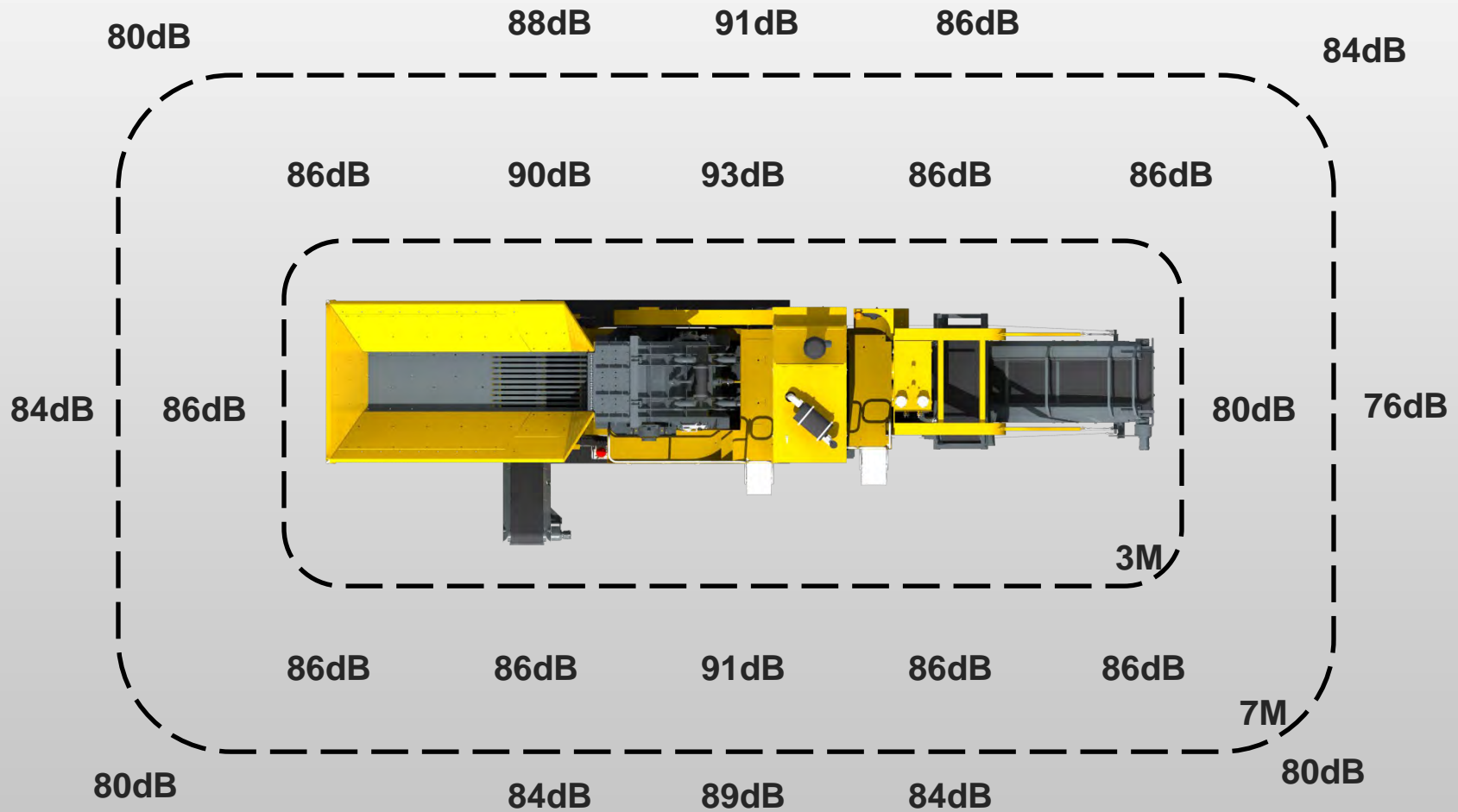
- Umbilical remote control unit
- Control panel positive pressurisation



Machine Safety Aspects

- | Nip Point guarding
- | Central located greasing
- | Engine start delay and siren
- | Warning siren to alert the machine tracking and start up
- | Engine emergency stops

Sound Levels



Selling Features Summary

Strong, reliable, robust heavy duty body designed & engineered web & flange chassis, fully welded & fabricated from high grade steel to withstand the rigors of operation & transportation

Hydraulically folding feed hopper wings fabricated from wear resistant steel including hydraulically powered locking system

Self cleaning stepped grizzly with vibrating twin shaft exciter

Heavy duty crusher design with fully hydraulic adjustable setting and optional under-crusher deflector plate

CATERPILLAR® engine as standard, compliant to industry regulations

Heavy duty tracks suitable for any environment

Extra wide product conveyor with full length rubber side skirts utilising wear resistant steel clamp plates

Maximised discharged height for product stockpiling

Height adjustable, overboard magnetic separator

Two hydraulic oil coolers fitted as standard for maximum productivity in warmer climates

Water spray system fitted to the forward product conveyor and jaw opening