



www.strikercrushing.com



Mobile Crushing & Screening

JQ1170

Features & Benefits









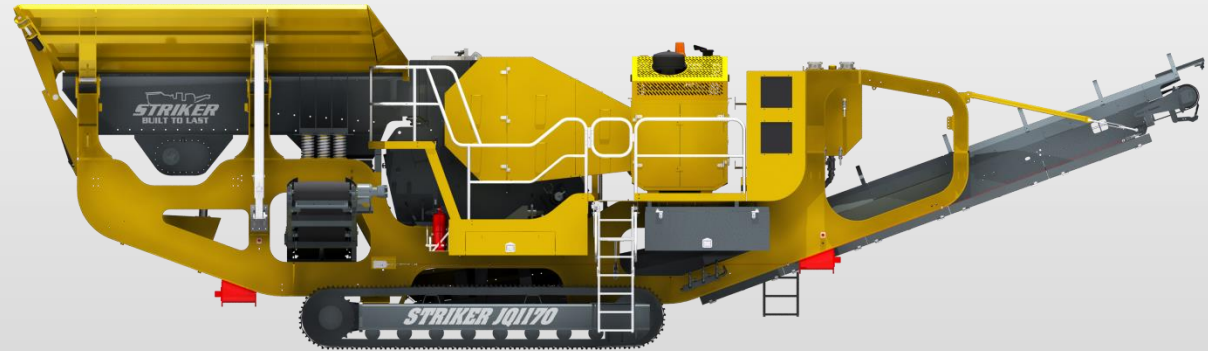
(SP02SI152-1903)

Tracked Jaw Crusher JQ1170



Transport Dimensions

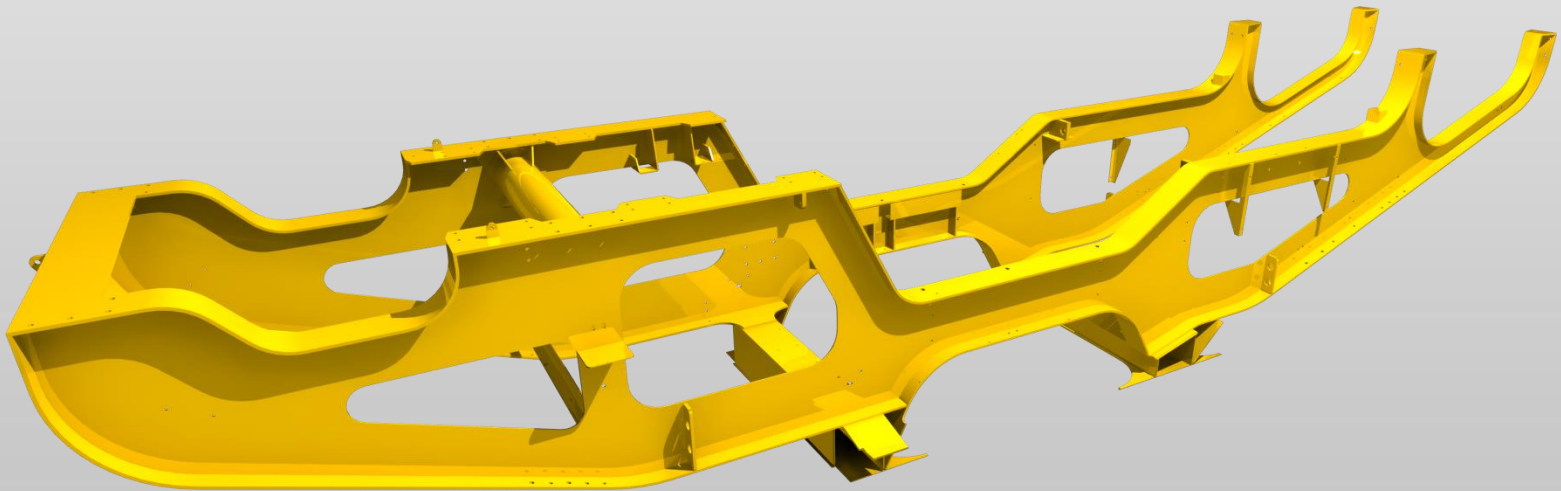
JQ1170	
Operating Dimensions:	
	14931mm 49'
	4066mm 13' 4"
	4316mm 14' 2"
Transport Dimensions:	
	15139mm 49' 8"
	3184mm 10' 5"
	3841mm 12' 7"
Weight (T):	48T
Weight (lbs):	105,822lbs



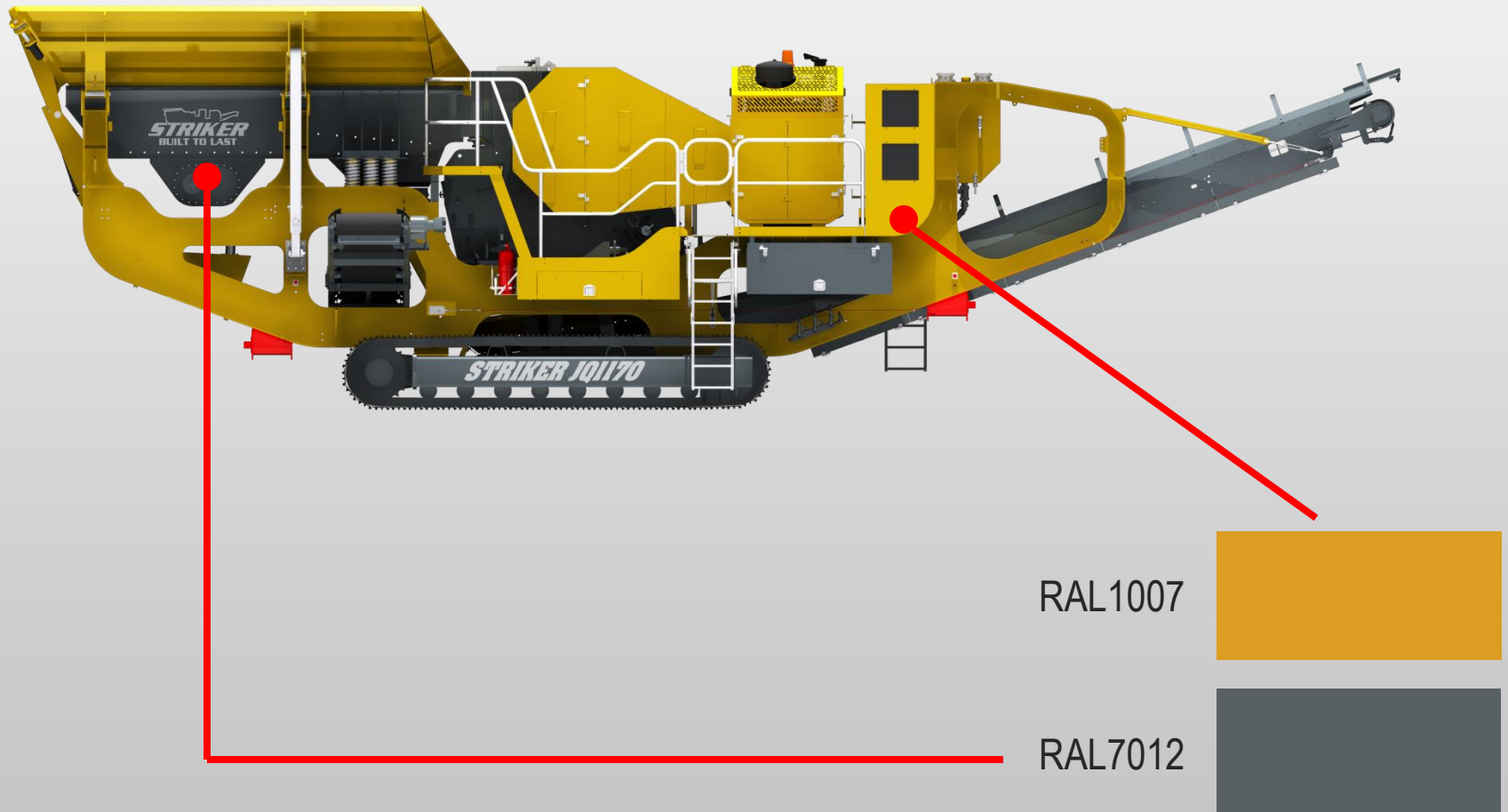
NOTE: Higher & Wider – Track width increases 400mm and raises 200mm. this gives increase ground clearance and maintenance access.

Chassis

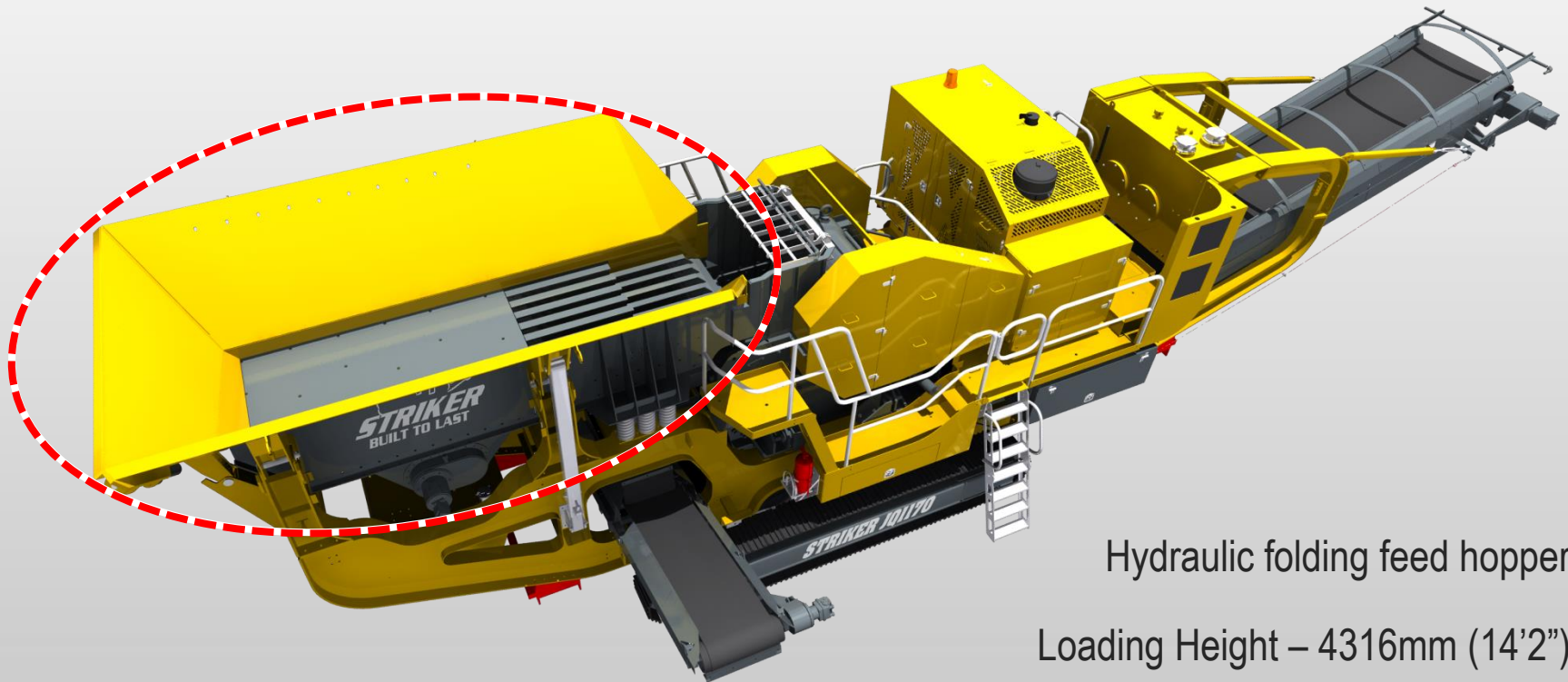
Extra heavy duty body – welded robust steel chassis



Standard Paint (RAL)



Feed Hopper



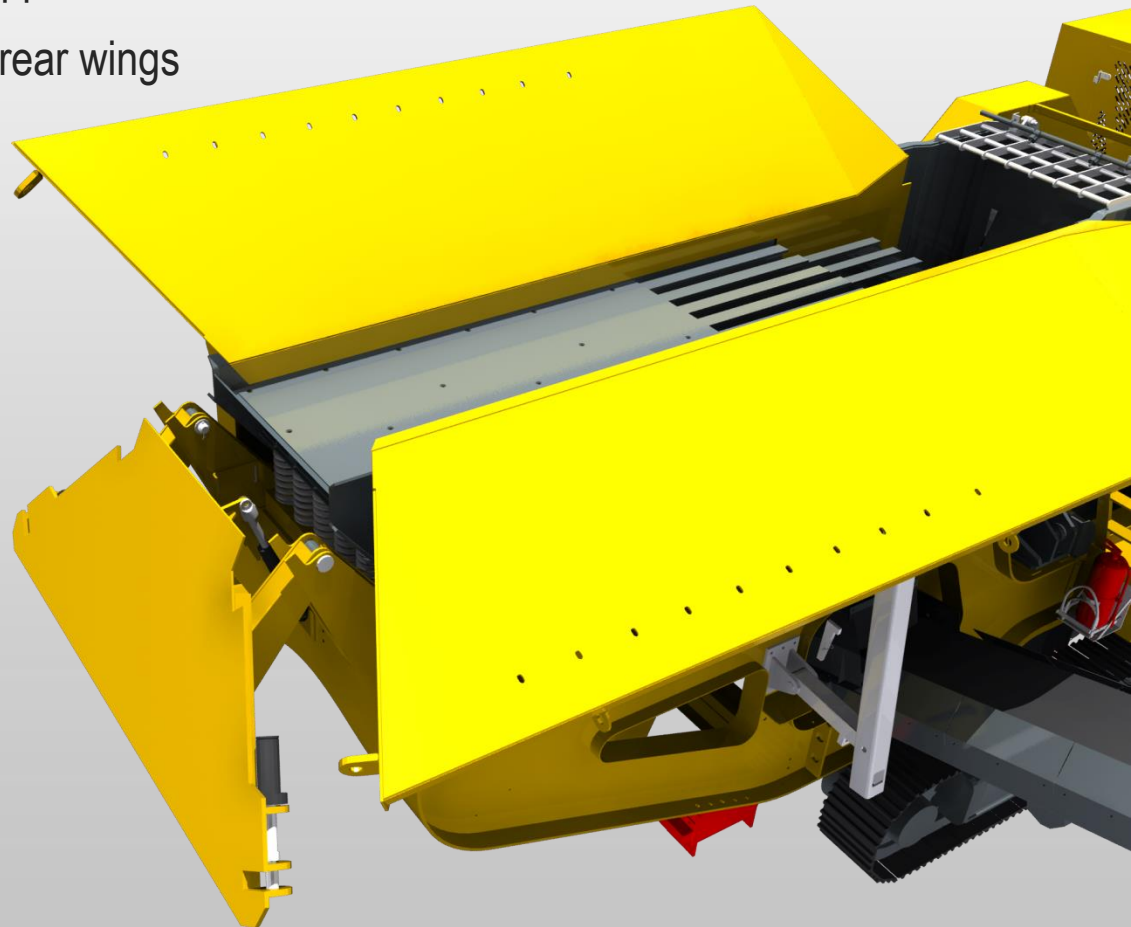
Hydraulic folding feed hopper |

Loading Height – 4316mm (14'2") |

Feed Hopper Capacity – 7.0m³ (9yd³) |

Feed Hopper Wings

- Heavy duty wear resistant steel feed hopper construction
- Hydraulically operated folding side and rear wings
- Reinforced box section webs
- Rapid set up time



Feed Hopper Locking Mechanism

Unique hydraulic locating and locking system

Increased safety feature

Removes the need to climb on the plant

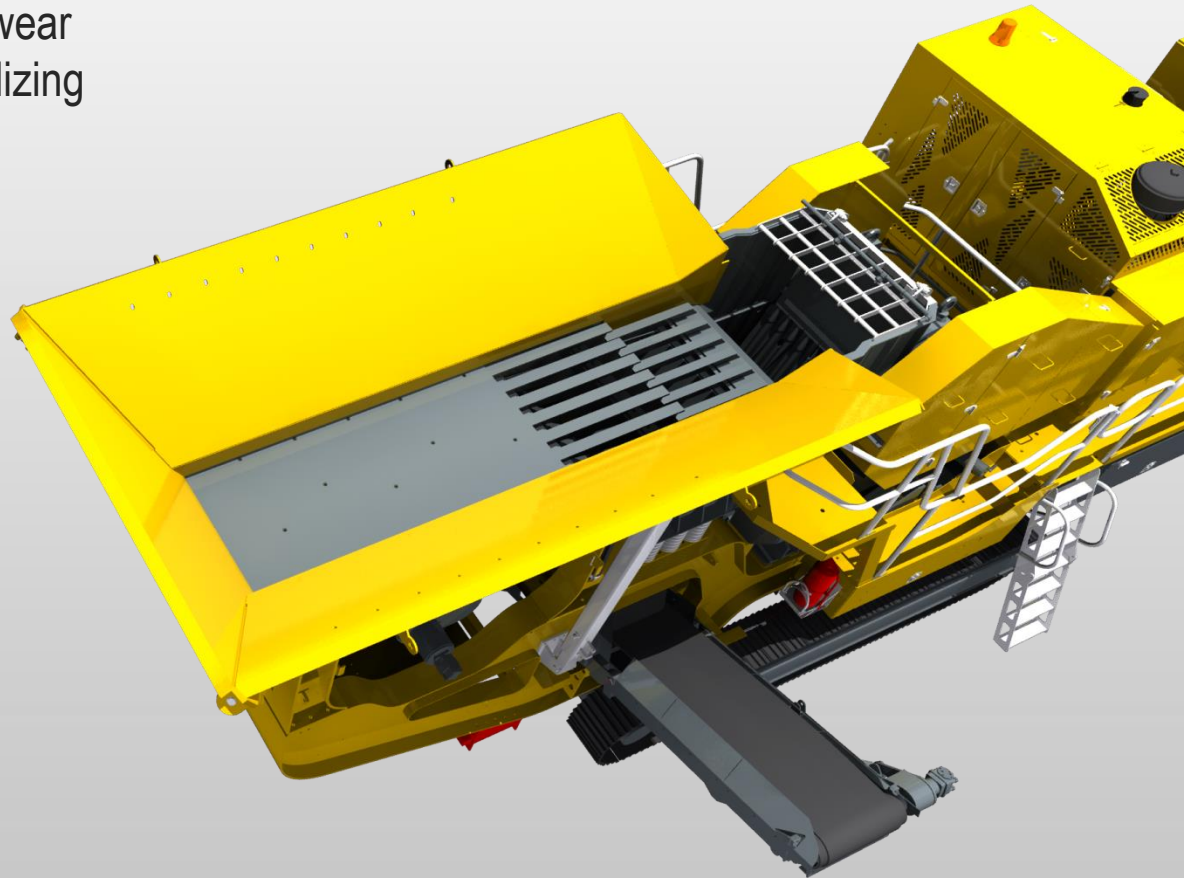


Feeder Liners

Fabricated from either high quality wear resistant steel plate or mild steel utilizing wear resistant liners

Feeder liners to protect the hopper from excessive wear

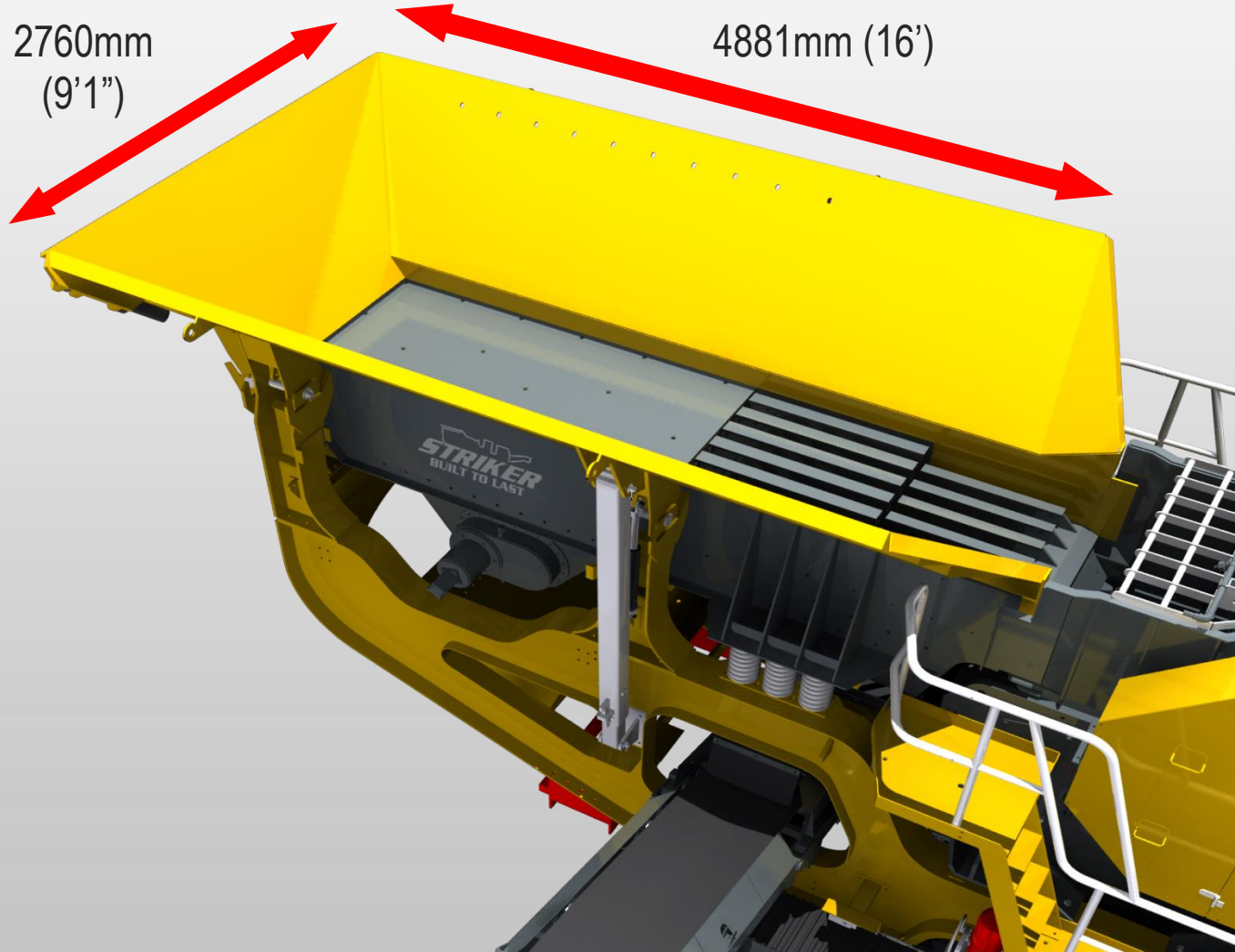
Easy to replace



Feed Hopper Dimensions

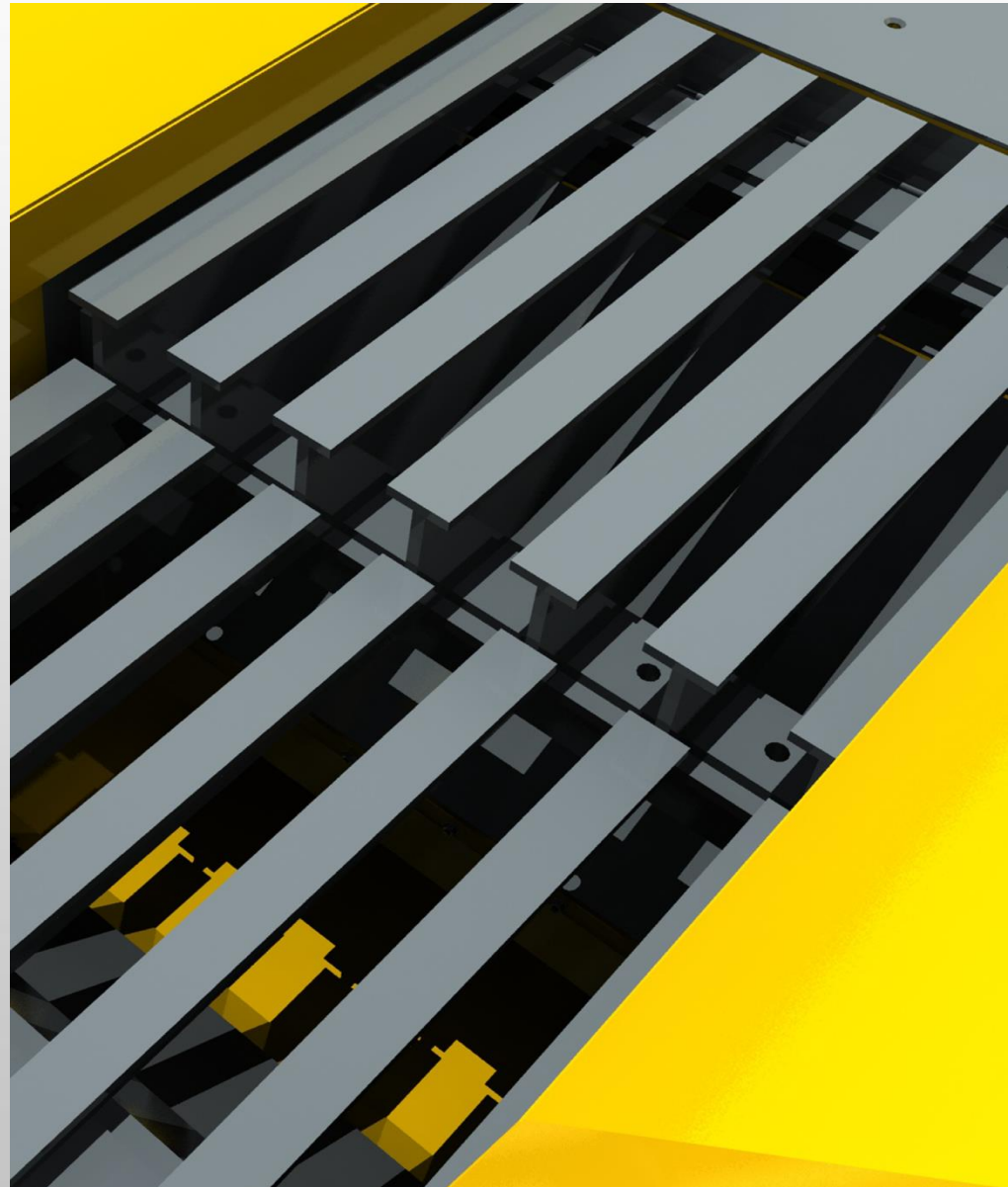
2760mm
(9'1")

4881mm (16')



Grizzly Feeder

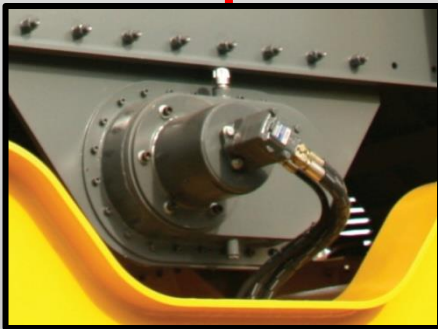
- | Fabricated from wear resistant steel
- | 43mm (1.6") nominal spacing
- | Wear resistant steel floor plate liners
- | Twin shaft exciter coupled with hydraulic motor
- | Variable speed control
- | Bolt in blanking plates
- | Vibrating grizzly feeder with 2 stepped bolt in grizzly cartridges
- | Bottom deck media: blanking mat for Pre-screen Bottom Deck



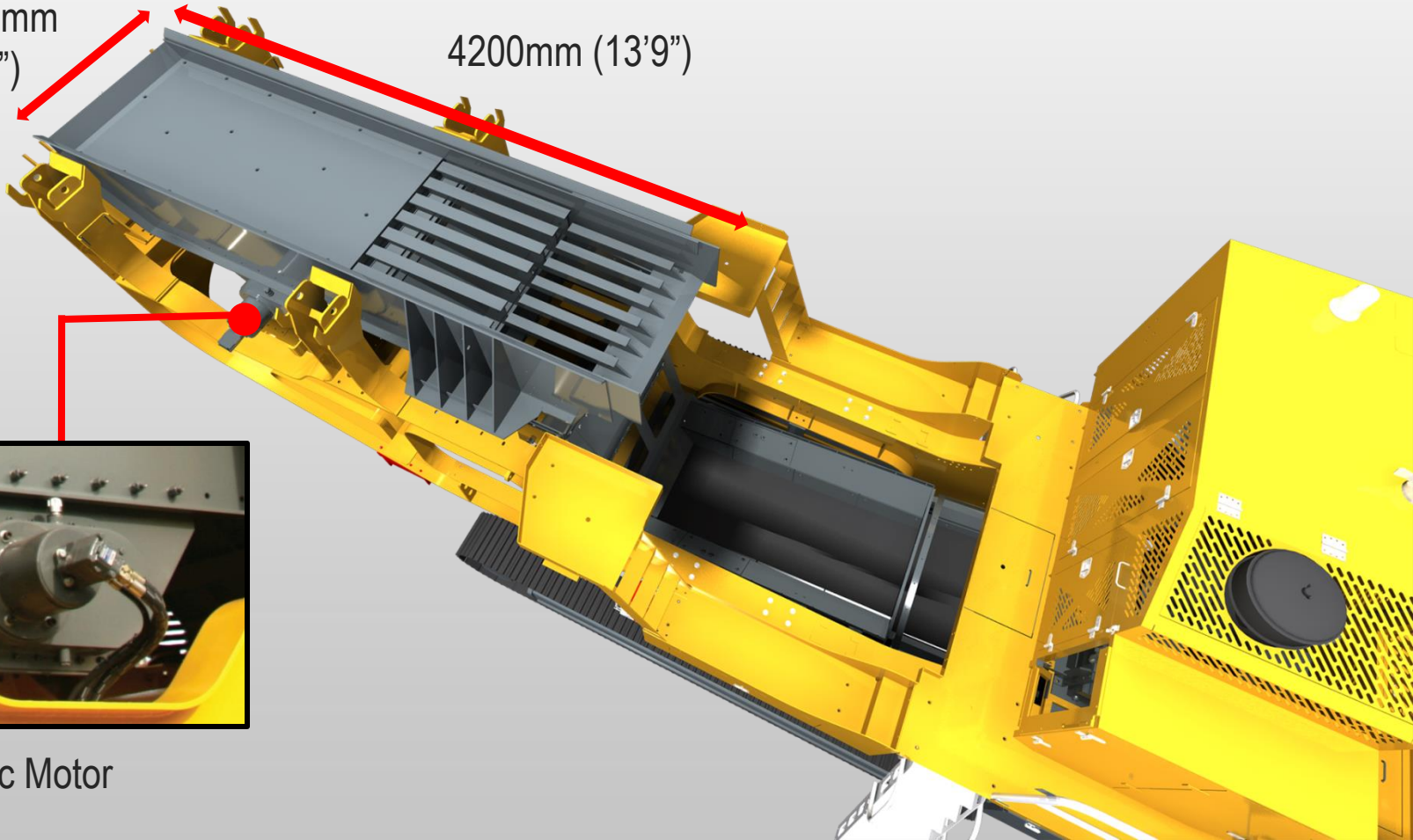
Grizzly Feeder Dimensions

1200mm (3'11")

4200mm (13'9")



Hydraulic Motor



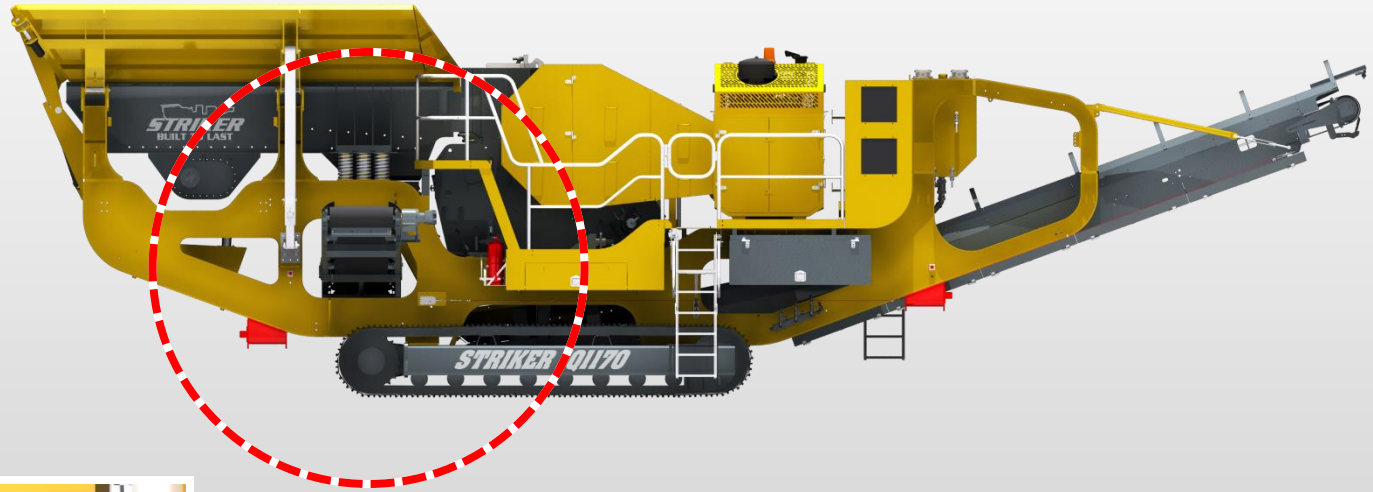
Grizzly Feeder

Wear Resistant Liners

Self Cleaning Stepped Cartridge



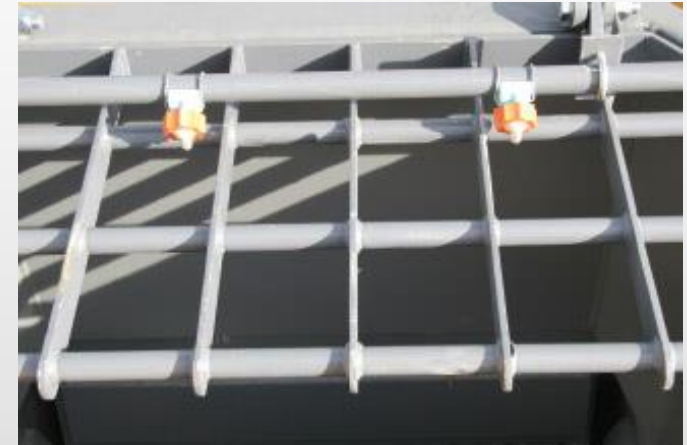
By-Pass Chute



By-Pass chute removes natural fines from the feed material and discharge onto the “Side Discharge Conveyor”

The lever operates a two way door for diverting material either onto the “Forward Product Conveyor” or the “Side Discharge Conveyor”

Jaw Crusher Protection Grid

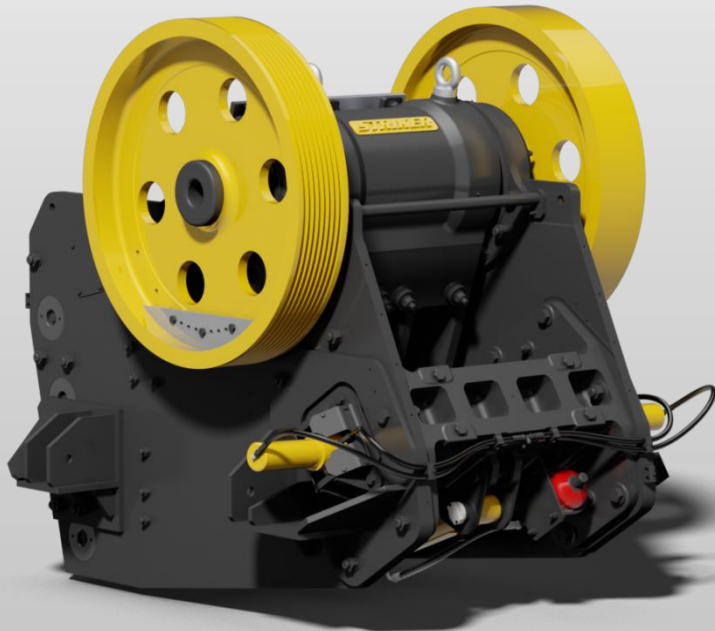
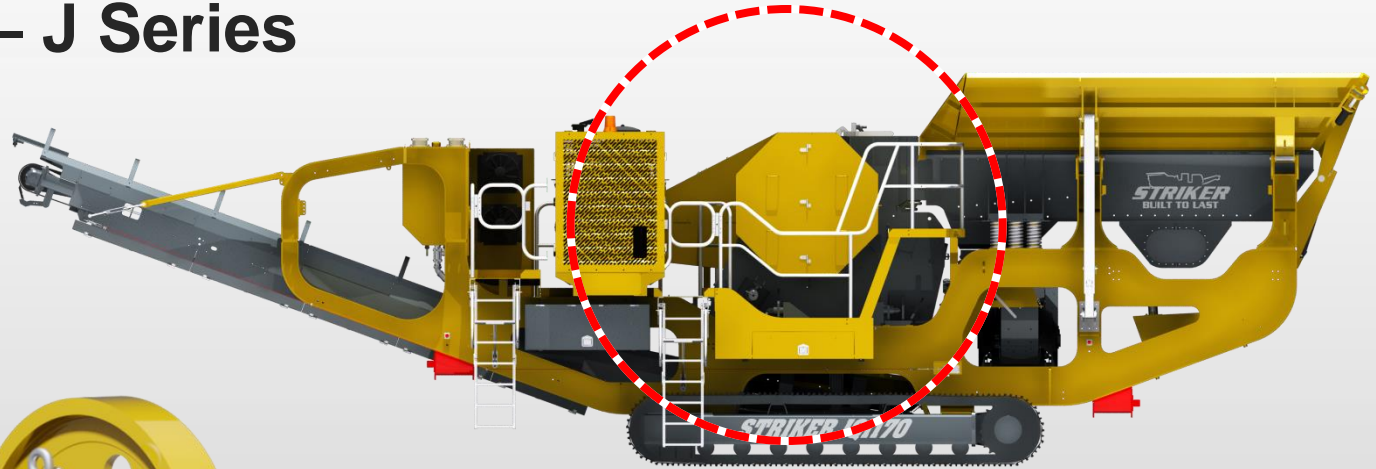


Reinforced to withstand high forces
potentially ejected from the jaw
crusher chamber

Increased operator safety

Hinged joint easy access to the
jaw chamber when required

Jaw Crusher – J Series



1070mm x 740mm (42" x 29") feed opening

Minimum Closed Side Setting 75mm (3")

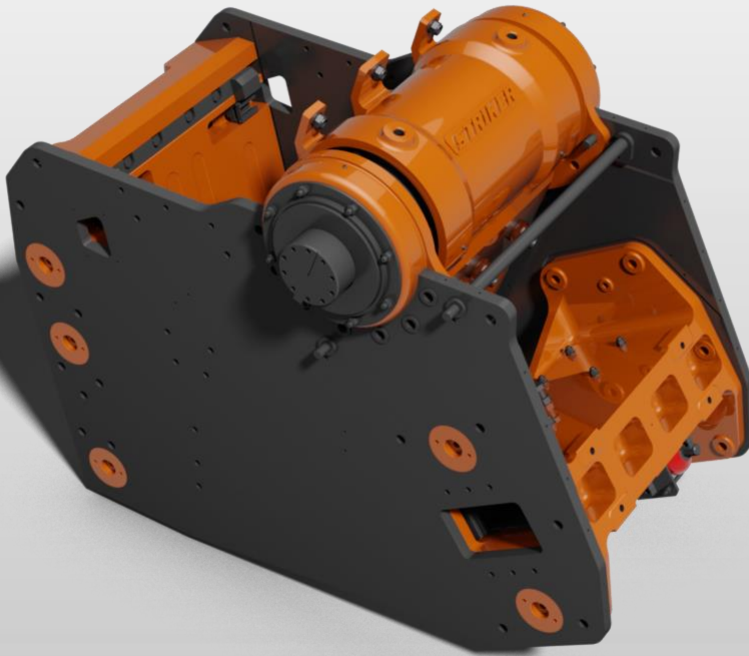
Maximum Closed Side Setting 200mm (8")

Single Toggle Jaw with hydraulic adjustment

65mm (2.5") closed side setting for quarry applications (hydraulically adjusted – factory pre-set)

Standard saw tooth jaw plates

Main Frame



Four Piece Heavy-duty Structure Fully Bolted And Dowelled.

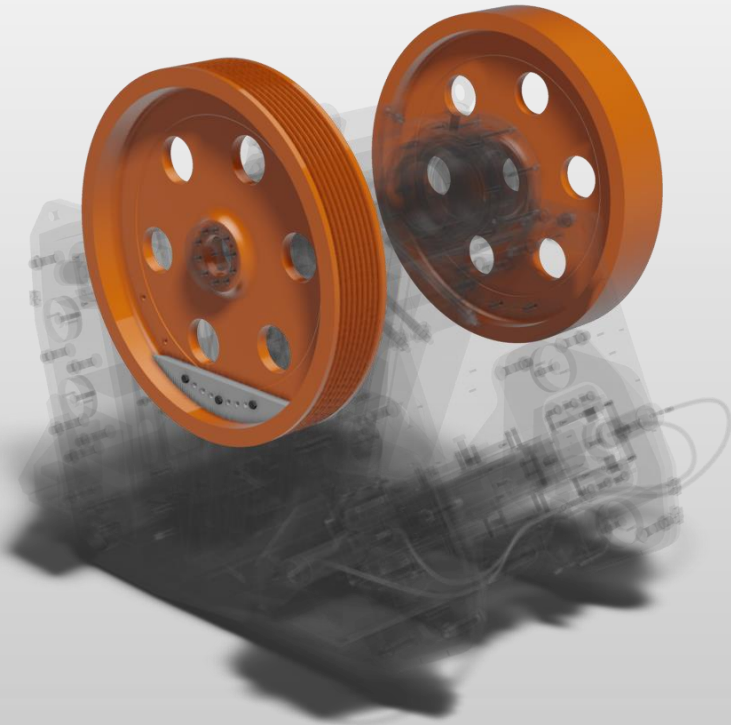
Fully Machined Contact Surfaces To Assure Optimum Load Distribution.

High Strength Cast Steel Front And Rear Frames.

High Strength Structural Steel Body Side Plates

Versatile Mounting Feet Arrangement To Suit Any Application.

Heavy Duty Flywheels



Dynamically Balanced To Reduce Vibrational Resonance With Mounting Structures And Chassis.

Engineered Size And Weight To Obtain:

- Low Peak Power Requirements
- Increased Feed Rates With No Reduction On Performance
- High Efficiencies

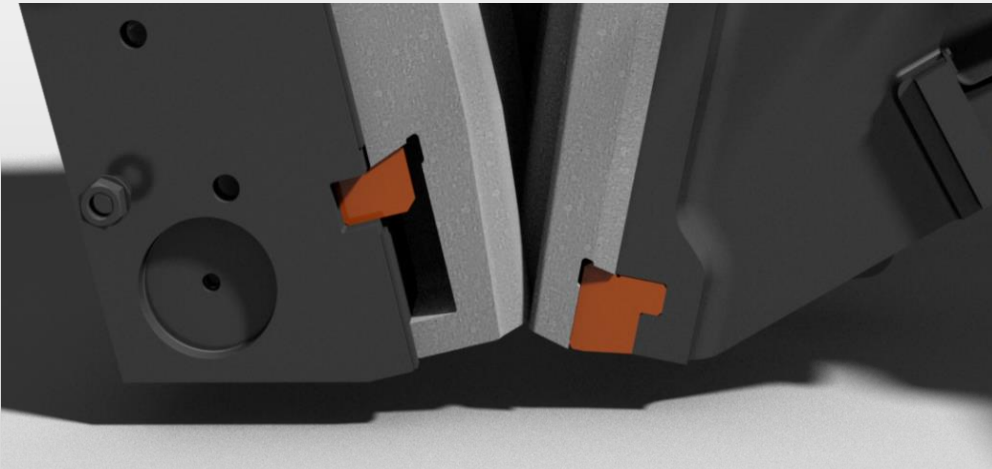
Performance



1 1/2" STROKE

- High Compression
- Increased Throughput
- Extra Relief

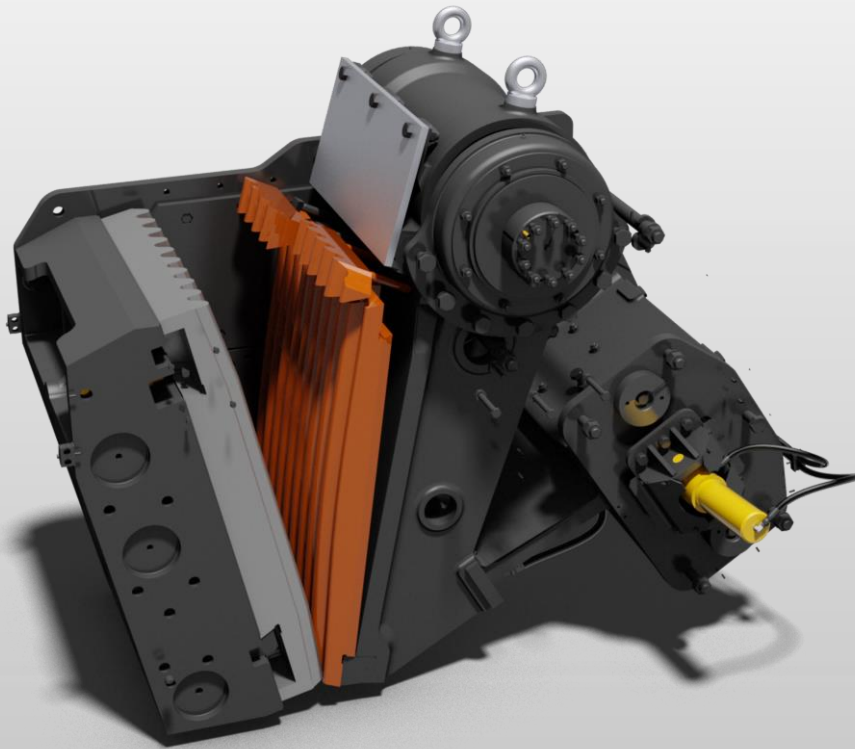
Replaceable Lower Jaw Die Seats



- | Easy To Replace Jaw Die Seats

- | Prevents Failure And Wear Of Cast Parts

Jaw Liner Replacement



Easy Jaw Liner Replacement

- Significantly Reduces

Maintenance Downtimes

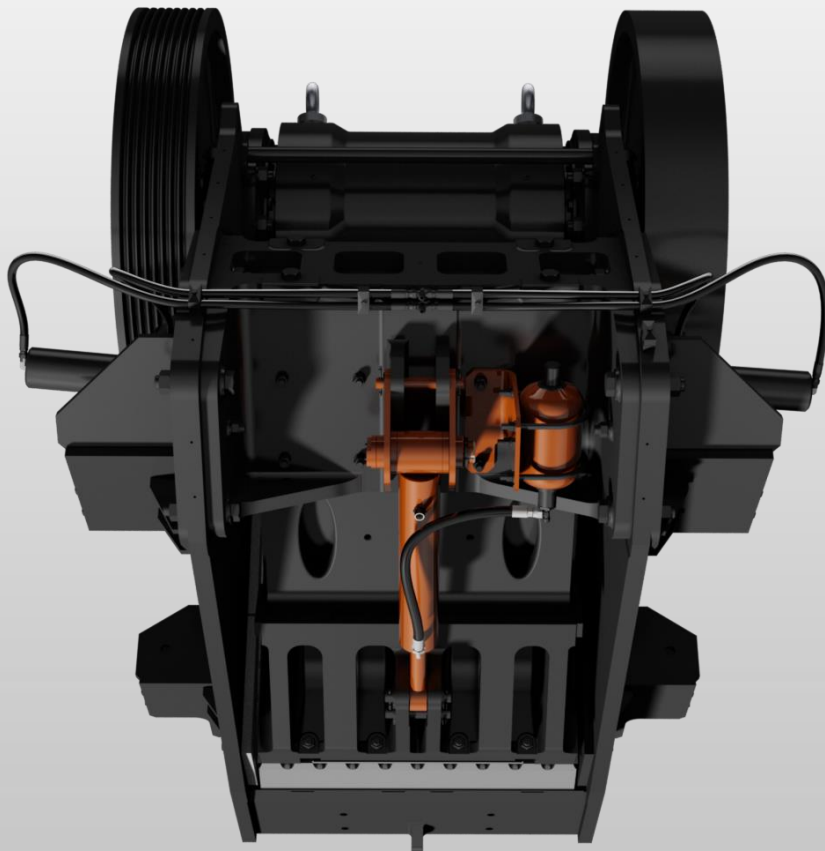
- Fully Reversible Liners

Dual Wedge Adjustment



- | Hydraulically Operated CSS Adjustment
- | No Additional Setup Required
- | No Extra Parts To Be Adjusted
- | Opening And Closing Actions Operated From Control Panel

Hydraulic Toggle Tensioning System



- High Toggle Tensioning Force

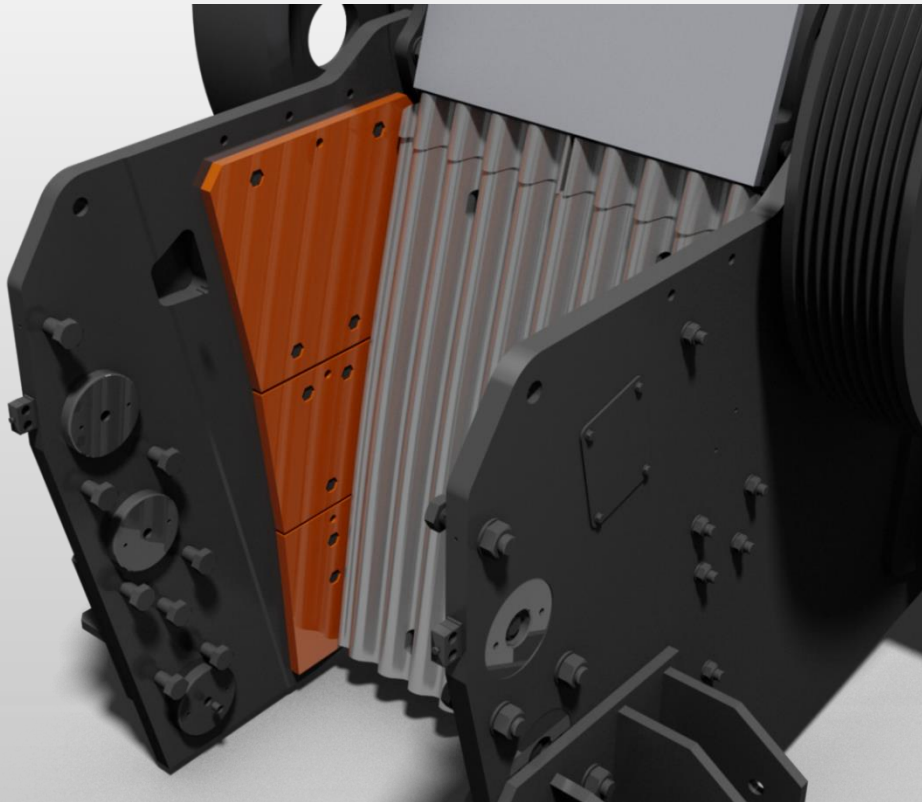
- Automatic Adjustment When Changing CSS

- High Reliability Hydraulic Cylinder With Special Sealing Arrangement

- Toggle Pressure Monitoring From Control Panel

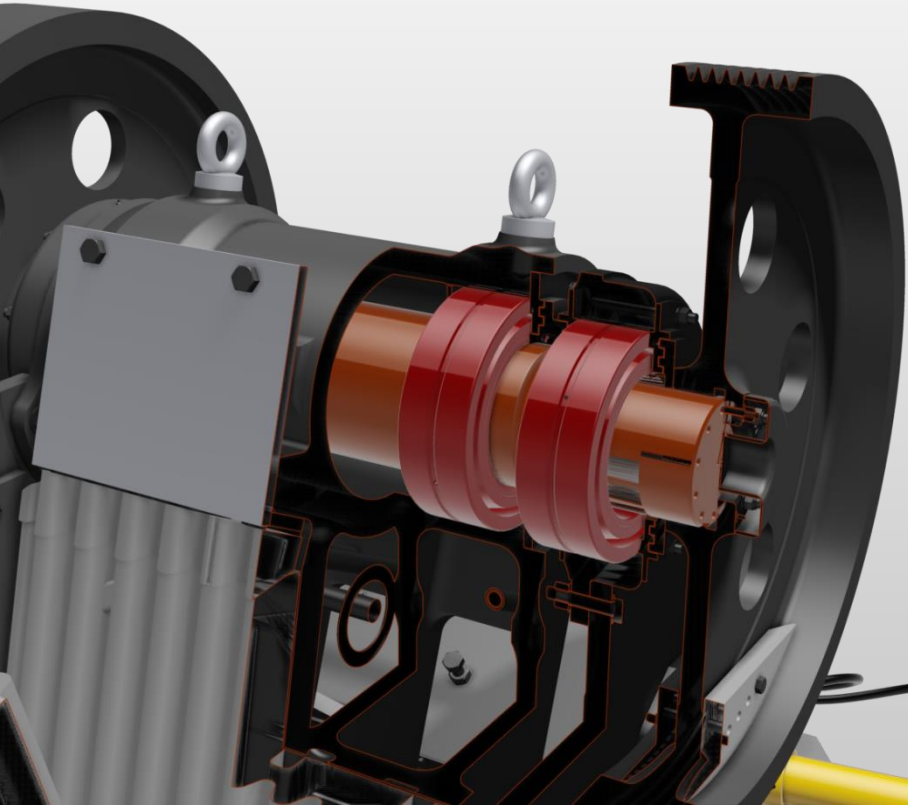
- Automatic Pressure Drop Detection Allows Crusher To Stop Before Damaging Parts

Body Side Liners



- Replaceable 3-piece Liner Plates
- Made From High Manganese
- Alloy Steel For Outstanding Wear Resistance

Shaft Assembly



High Quality Nickle-chrome Forged Steel Shaft Machined To The Tightest Tolerances

Non-contact Labyrinth Seals

Best Quality Spherical Roller Bearings

Jaw Crusher Drive



Dedicated oil cooler for fluid coupling |

Quick easy belt tensioning |

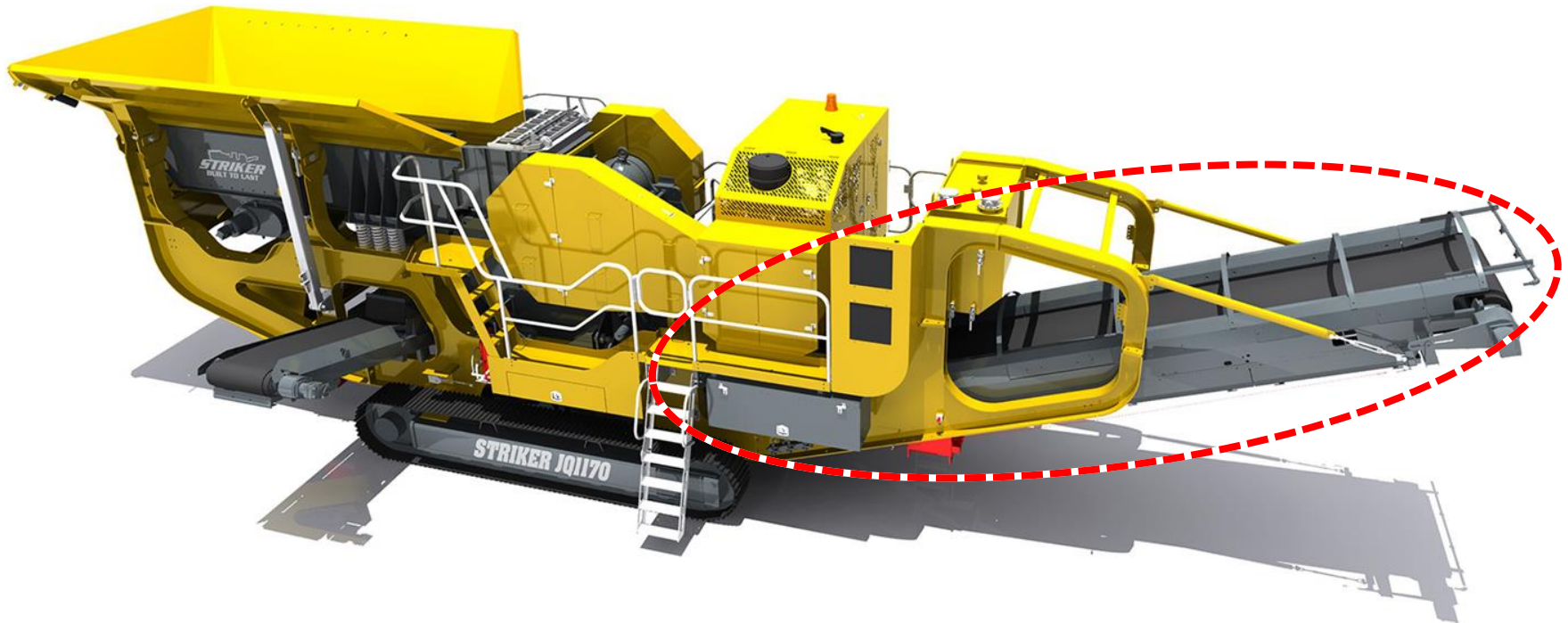
Externally mounted and easily maintained |

Smooth start up, no belt slip |

Shock & overload protection |

No friction linings creating longer life utilization |

Forward Product Conveyor



Forward Product Conveyor

- Hydraulic drive at the head drum
- Belt cleaner located at after the discharge point to ensure that sticky material is removed preventing tracking issues
- Greasing lines to the head drum
- Self-aligning spherical roller bearings
- Lagged head drum to prevent belt slippage



Forward Product Conveyor

Clearance between the forward product conveyor and the jaw crusher approx. 550mm (22")

Heavy duty extra wide belt 1200mm (47") wide

Wear resistant liners at the jaw discharge

Rubber impact rollers to prevent damage to the belt

Fully skirted conveyor belt to reduce spillage



Conveyor Guards

- | Quick release system for maintenance
- | CE Compliant
- | Safety against moving & rotating parts



Central Located Greasing

- | Central greasing point
- | Robust, durable greasing lines, not plastic
- | Located at ground level
- | Saves on maintenance time



Dust Suppression

- Environmentally friendly on-board solution to dust control from the jaw crusher
- Dust Suppression in two isolated locations
- Dust Suppression sprays and manifold
 - 1) Jaw crusher discharge chute
 - 2) At the top of the product conveyor



Power Pack

Powered by a CATERPILLAR® C9 Acert Stage 3 engine rated (350HP 265kW @ 2200rpm)

Engine complies with all current emission laws

Hot climate oils (Recommended for ambient temperatures between +15°C to +50°C)

Easy access for maintenance via 3 panel doors and generous working platforms

Easy to maintain, reliable and efficient

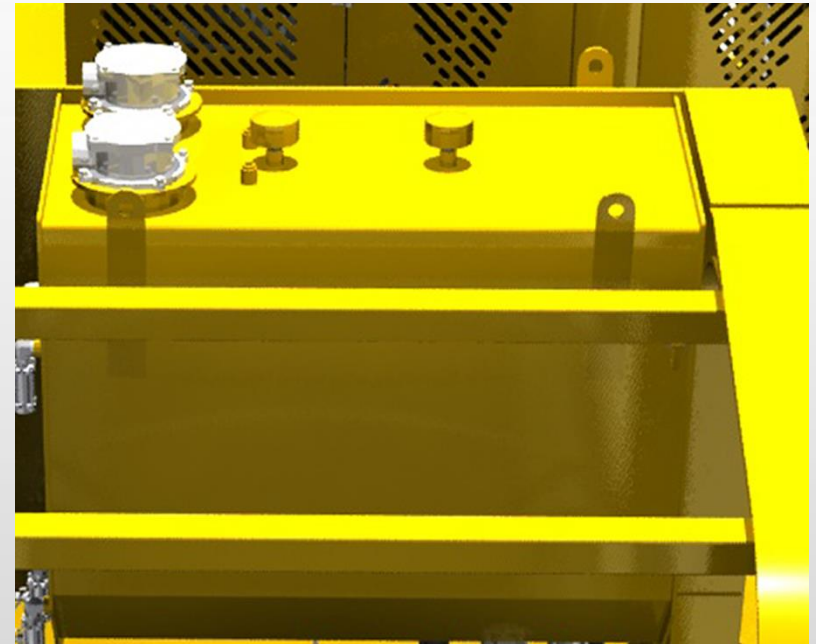
Load sensing hydraulic pumps to maximise fuel efficiency

38 L/hr (10 G/hr) up to 6.5 tons of crushed product per litre of fuel consumed (25 tons/G)



Fuel & Hydraulic Tank

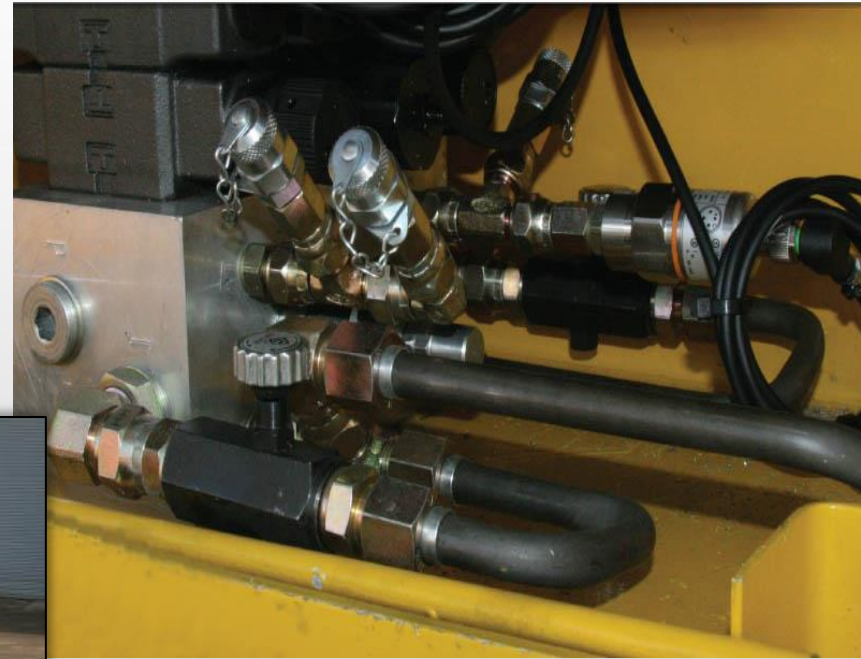
- 640 litre (141 gal) standard capacity fuel tank
- 600 litre (132 gal) standard capacity hydraulic tank
- Hydraulic oil filtration system and air filter



Hydraulic Components

Easy access to hydraulic components for maintenance

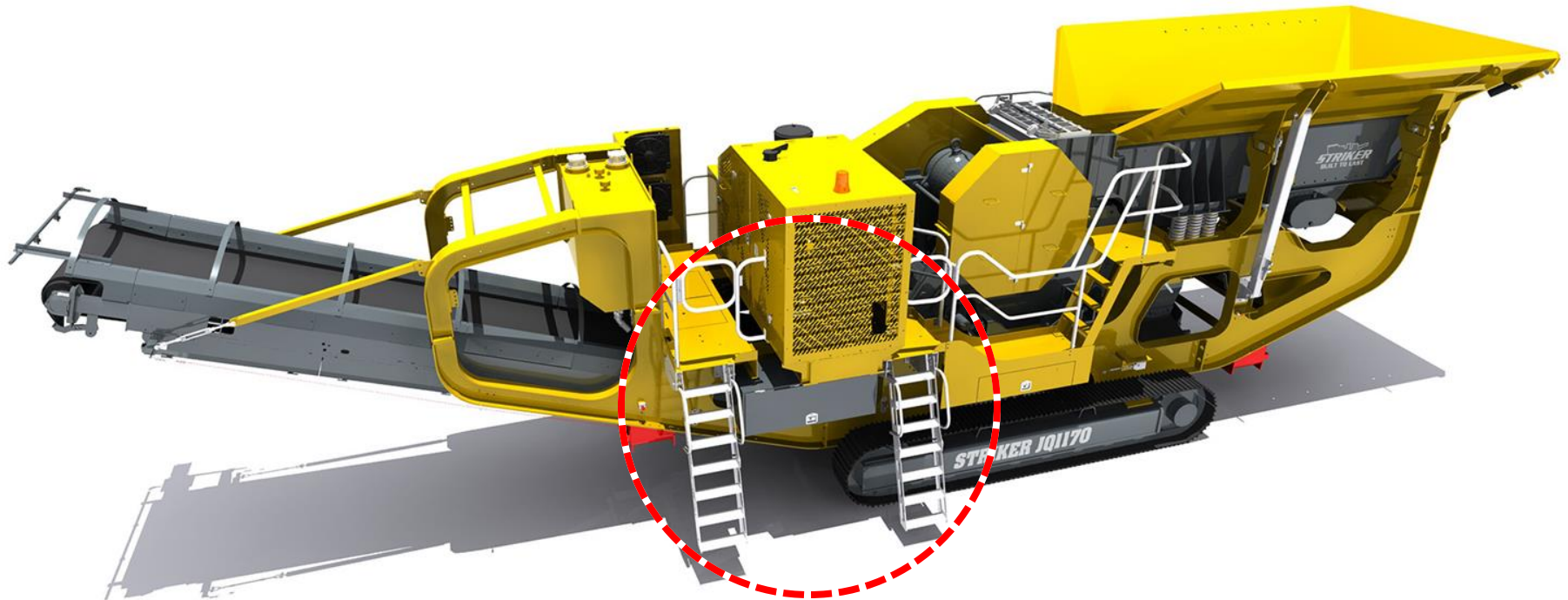
Simple ON/OFF hydraulic blocks



The hydraulic system powers

Crusher, tracks, hopper wings and hopper locking system, forward & side conveyors, vibrating grizzly feeder

Controls



Controls

- Simple user friendly screen
- Ability to change the displayed language
English, Mandarin, Bahasa, Afrikaans in
the HMI settings
- Clearly marked diagrammatic display
- Ability to switch between metric and standard
imperial units of measurement
- Rugged CAN based modular I/O
- Low voltage 24V system
- Sealed IP54 cabinets to prevent the ingress
of dust & water



Remote Control Unit

- | Battery level indicator (on the display)
- | Signal strength indicator (on the display)
- | Proportional control of the tracks
- | Steer mode
- | Tramming mode
- | Feeder ON/OFF and speed control
- | Radio remote control unit
- | Striker optimax engine and feeder controller
- | Charging via a cigarette lighter plug 12/24vdc
- | A charging/storage dock mounted on the machine so it's always on hand and full charged



Battery Maintenance Access

Service access to the batteries

Location for isolation during maintenance and welding on plant:

Two Isolator available:

- 1) Battery isolator
- 2) Starter motor isolator for testing controls & electrical system with the engine isolated



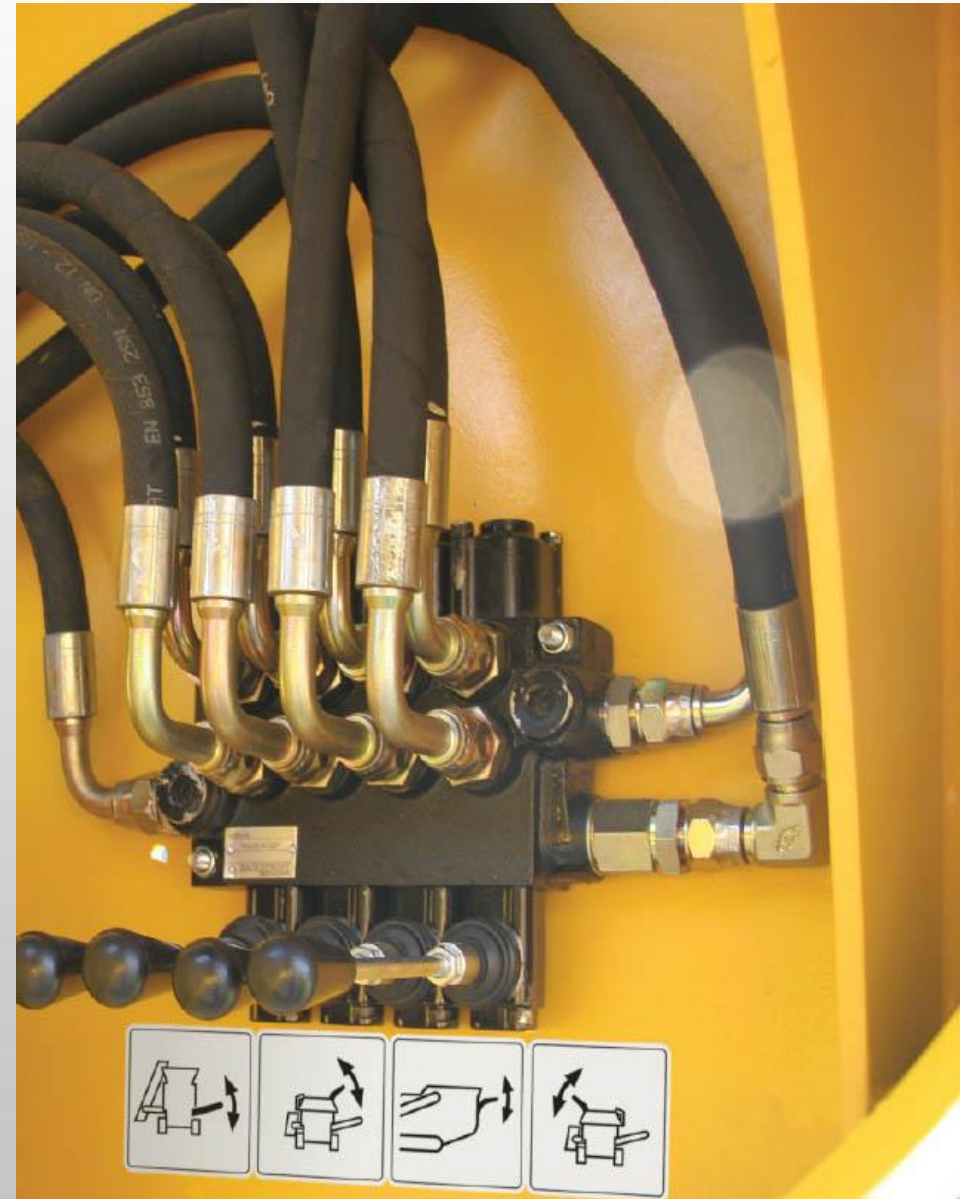
Manual Hydraulic Controls

Clearly marked manual hydraulic levers power the following and are easy to operate and allow for quick set-up of the plant:

Hopper sides

Hopper securing pins

Side discharge Conveyor



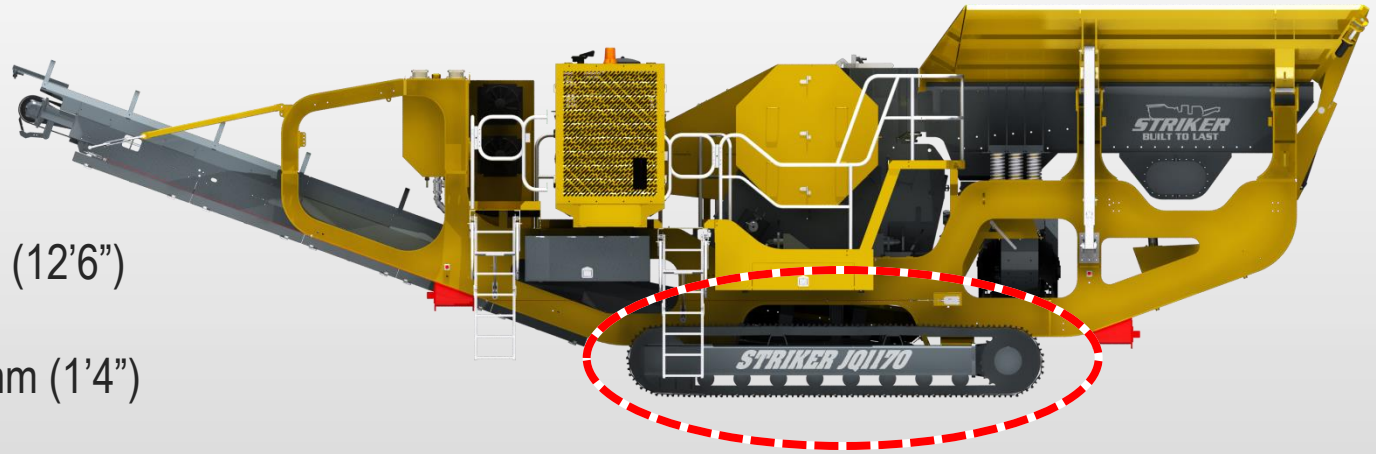
Tracks

Hydraulically driven crawler tracks

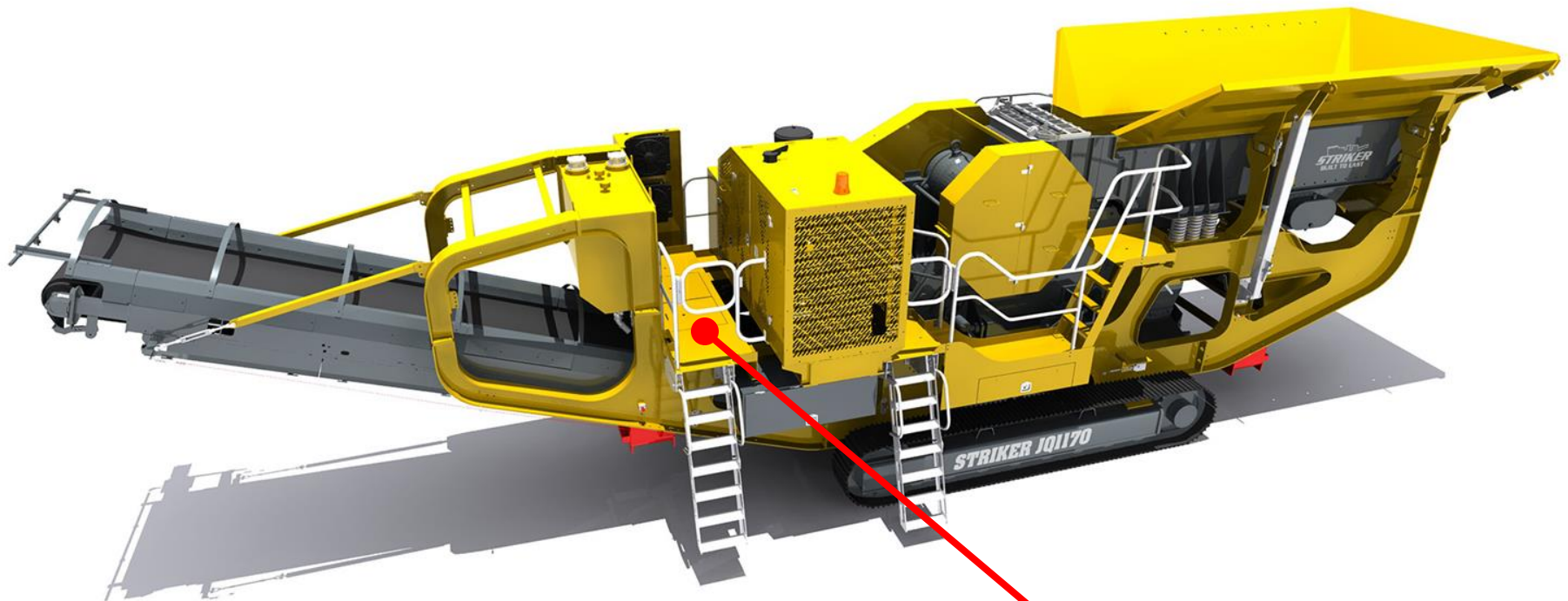
Track centres 3800mm (12'6")

Track shoe width 400mm (1'4")

Heavy duty 2 speed



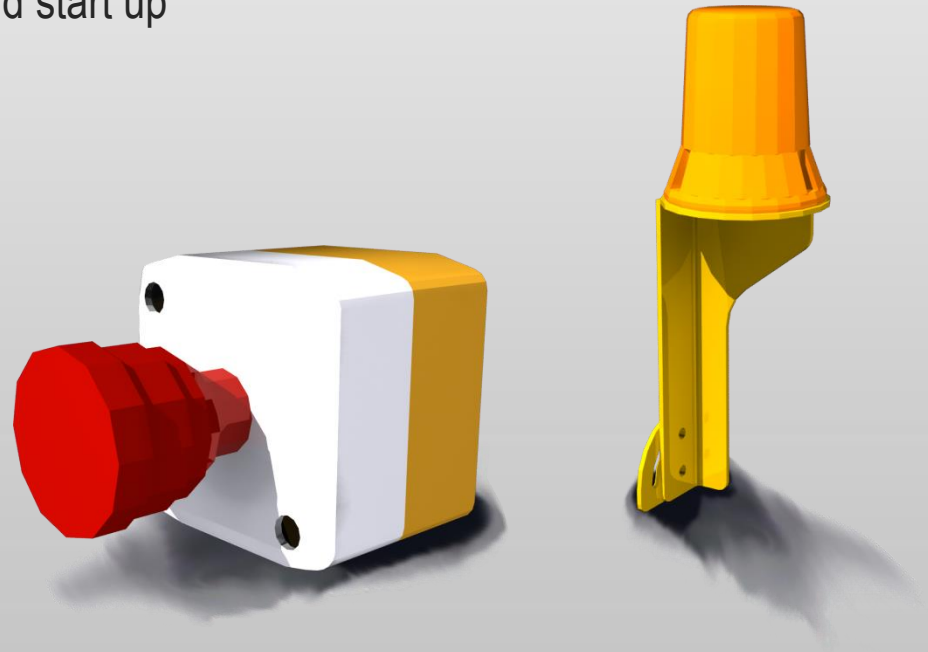
Platforms



Ease of maintenance platforms
fitted with double row handrails
access ladders

Machine Safety Aspects

- | Nip point guarding
- | Remote greasing
- | Engine start delay and siren
- | Warning siren to alert the machine tracking and start up
- | Engine emergency stops



Options

Wear resistant steel hopper liners

Feed hopper extension wings

Centralised lubrication system

Product conveyor dust covers

Jaw high speed conversion

Hydraulic water pump

Overband magnet

Side discharge conveyor

Pan feeder under crusher

Arctic package for operating conditions – 20 ° C

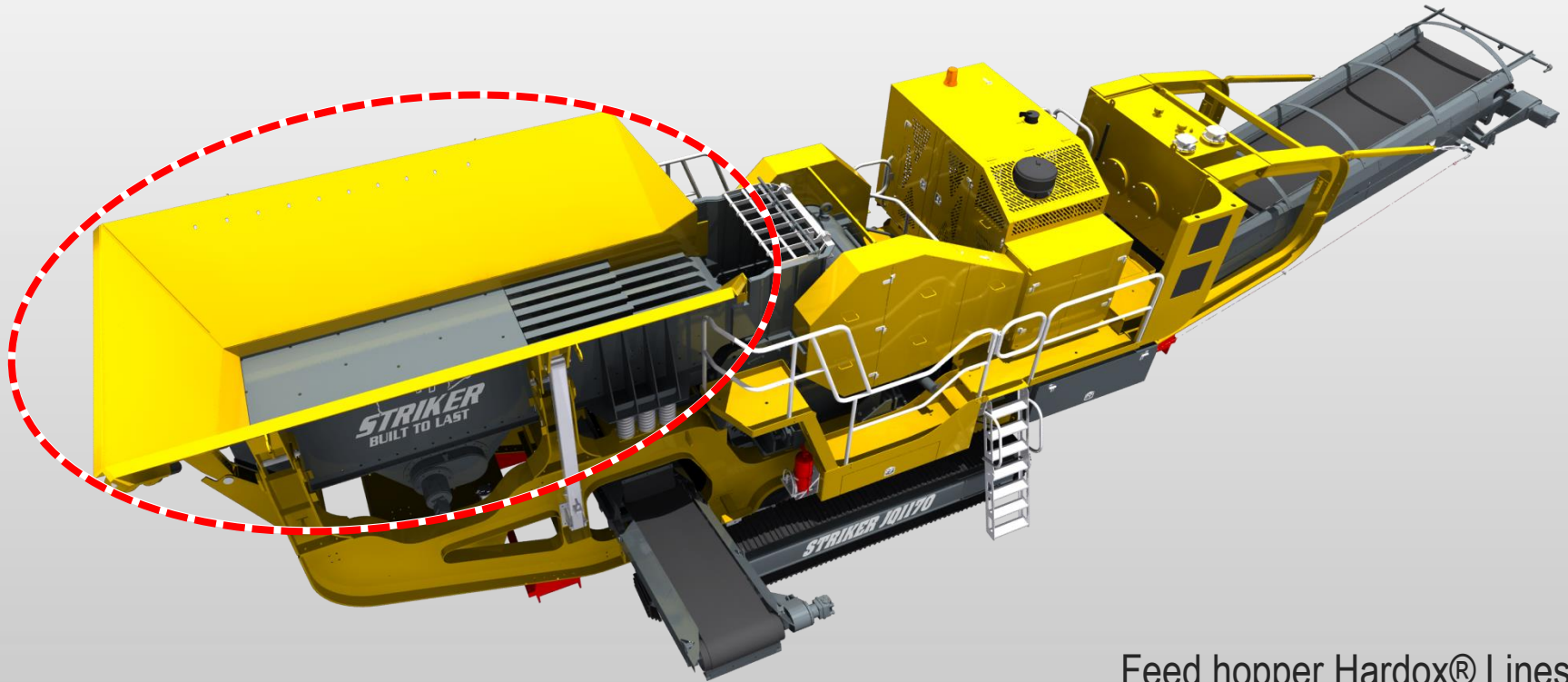
Desert package for operating conditions +50°C

Plant lighting tower

Dual drive forward conveyor

3 meter stainless steel air intake snorkel with turbo pre-cleaner bowl

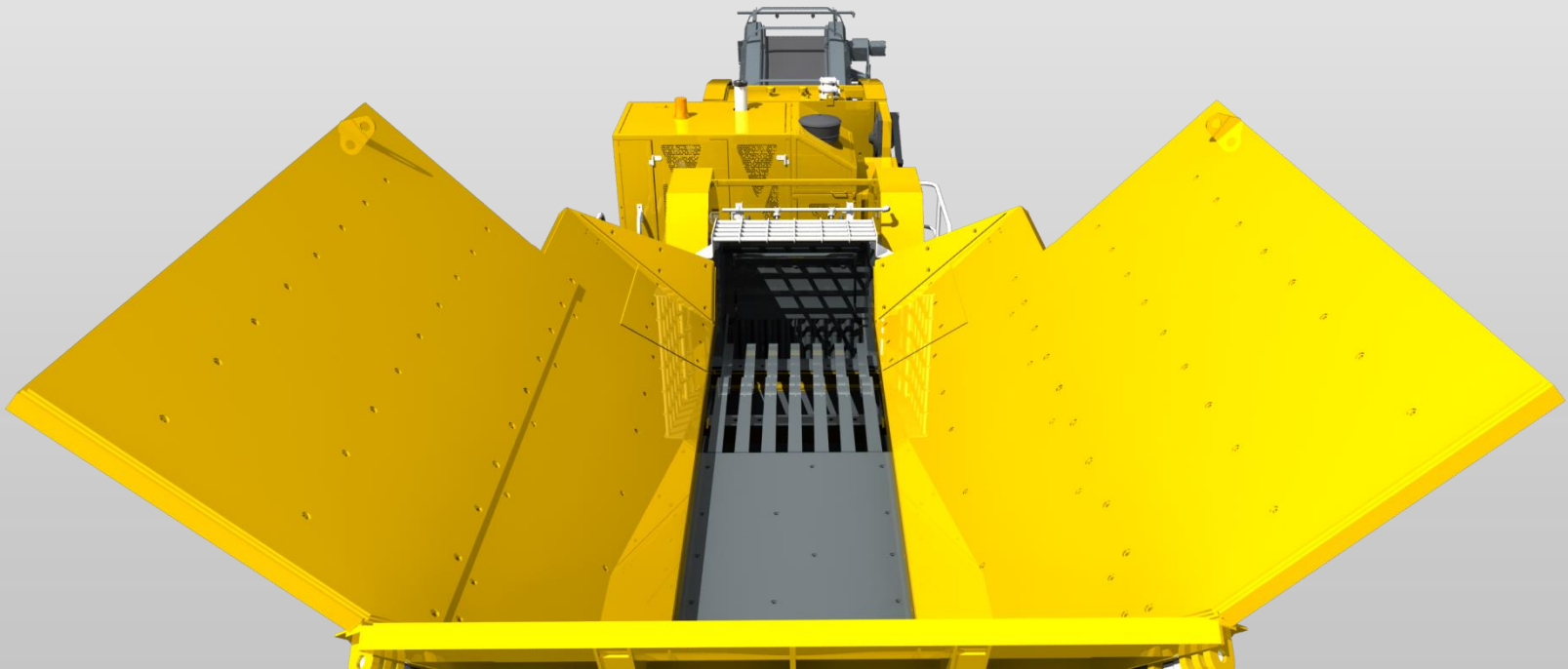
Feed Hopper (Option)



Feed hopper Hardox® Lines |

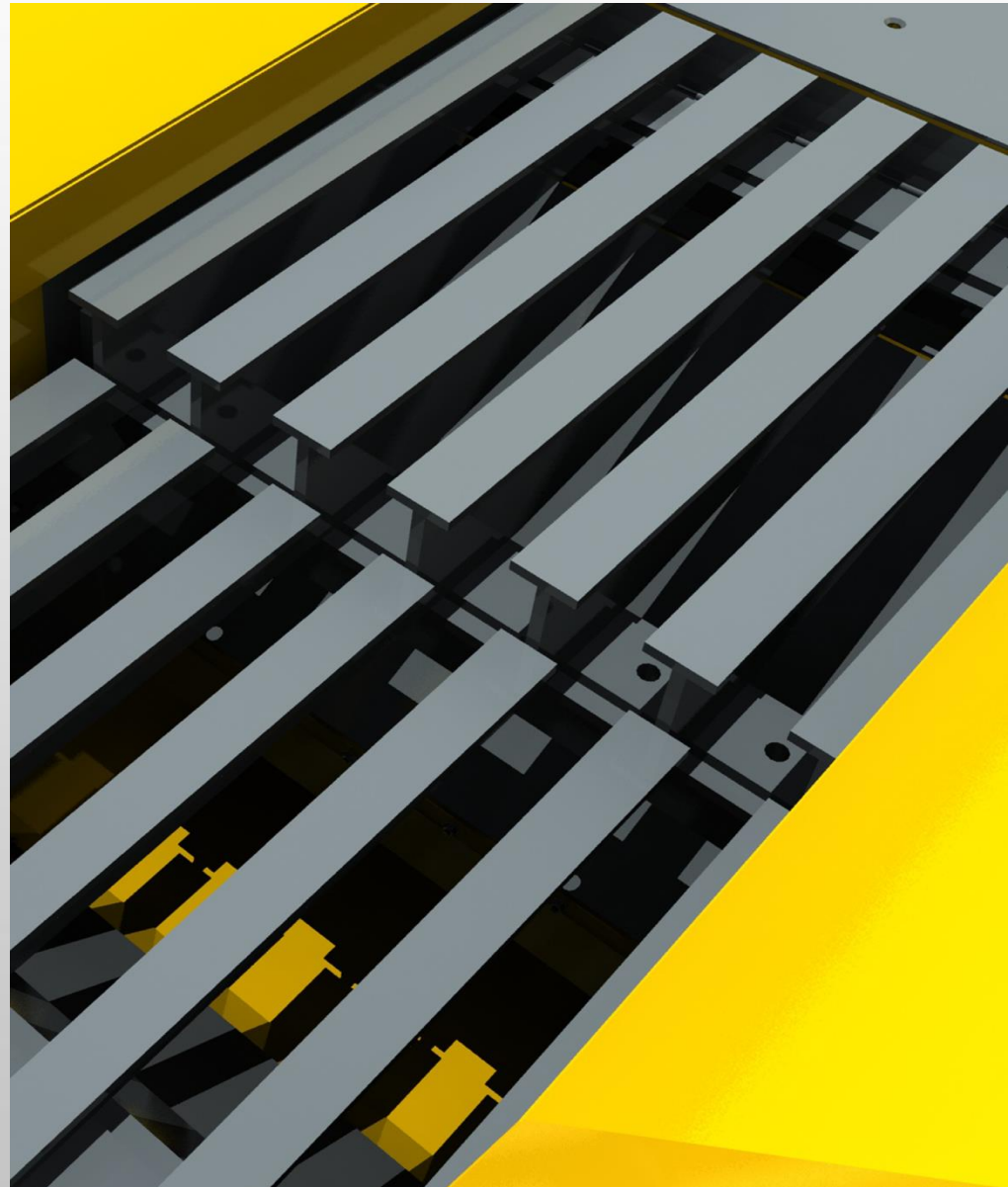
Feed Hopper Extension Wings (Option)

- Heavy duty wear resistant steel feed hopper construction
- Hydraulically operated ground level folding side and rear wings
- Reinforced box section webs
- Rapid set up time



Grizzly Feeder (Option)

- Blanking plates for grizzly
- 60mm (2.4") nominal spacing
- 2 deck live Pre-screen c/w Pan Feeder instead of Vibrating Grizzly Feeder, Hydraulic folding hopper sides and rear and hydraulic locking mechanism
- Top Deck Mesh cartridges:
Please specify Mesh Size:
- Wire mesh for Pre-screen
Please Specify Size: 10, 20, 30, 40, 50mm

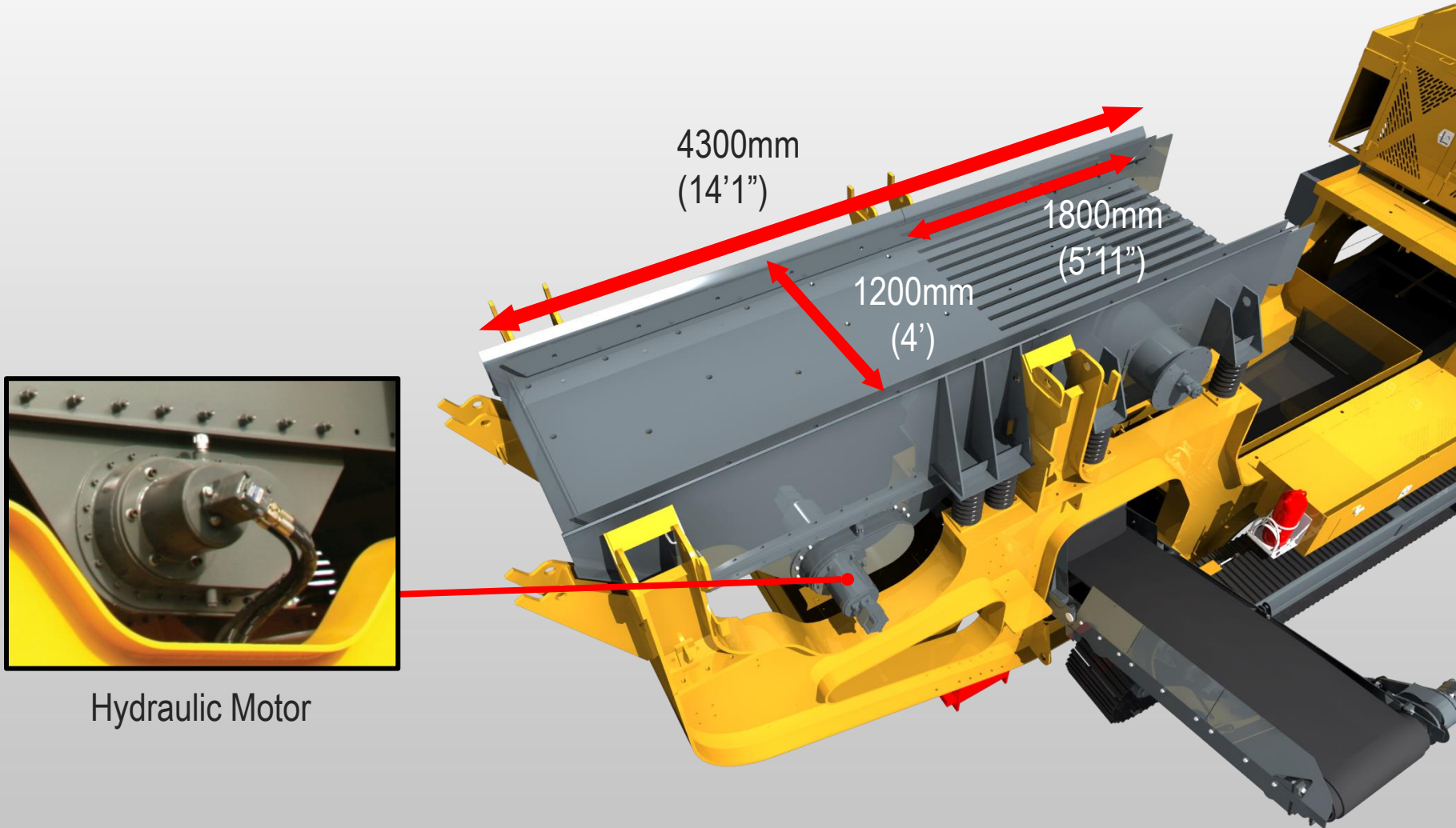


Independent Grizzly (Option)

- Independent vibrating double-deck pre screen ensures effective screening of fines for optimal final grain quality
- Reduction of wear in the crusher area by diverting the medium grain directly to the discharge chute
- Simple and safe replacement of screen mesh in upper and lower deck
- Reduction of bridging due to leveling of the feed material before the crusher
- Comfortable discharge height of side discharge conveyor avoids damage by wheel loader



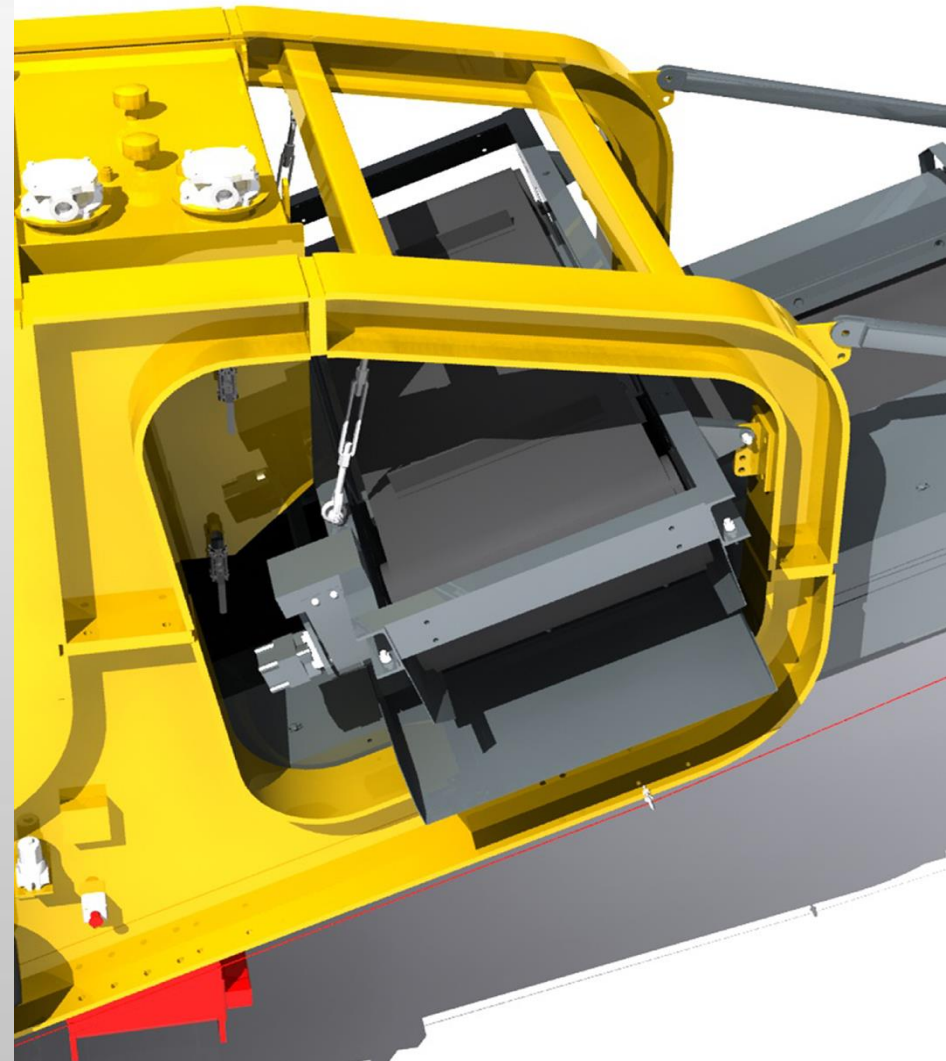
Independent Grizzly (Option)



Hydraulic Motor

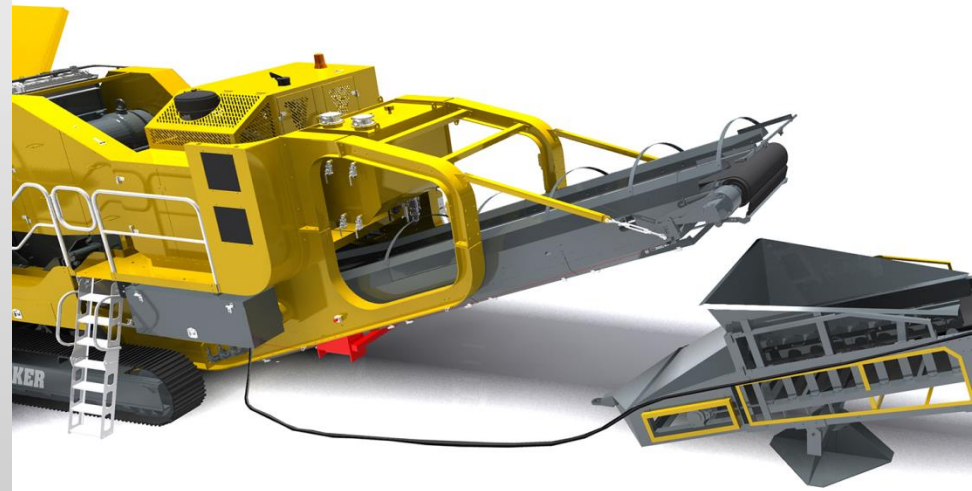
Overband Magnet (Option)

- Designed to separate any steel material from the crushed rock or demolition waste
- Variable belt speed
- The magnet is height adjustable and can be lowered or raised to suit any application
- Magnet preparation c/w hosing, shedder plate and mounting bracket
- Single pole magnet c/w hosing, shedder plate and mounting bracket
- Twin pole magnet c/w hosing, shedder plate and mounting bracket

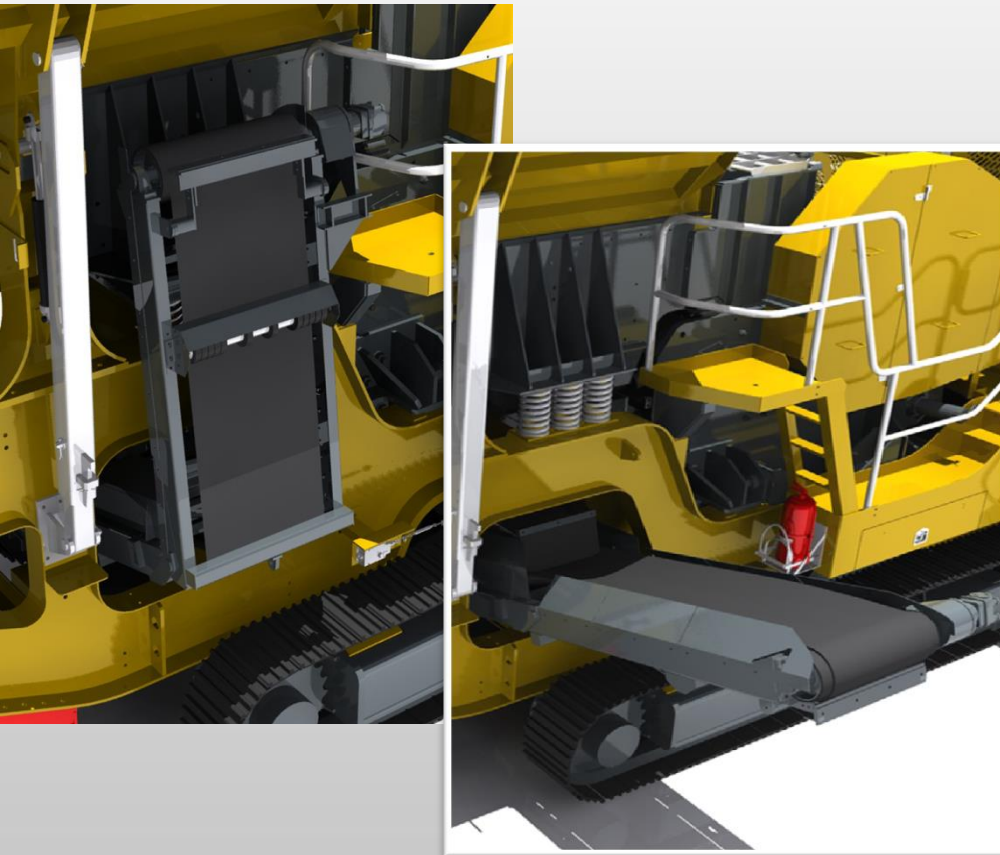


Stacker Outlet (Option)

To run Striker radial stacking conveyor



Side Discharge Conveyor (Option)



Hydraulically folding side discharge conveyor

The by pass chute transfers removal of fines on to the side discharge conveyor

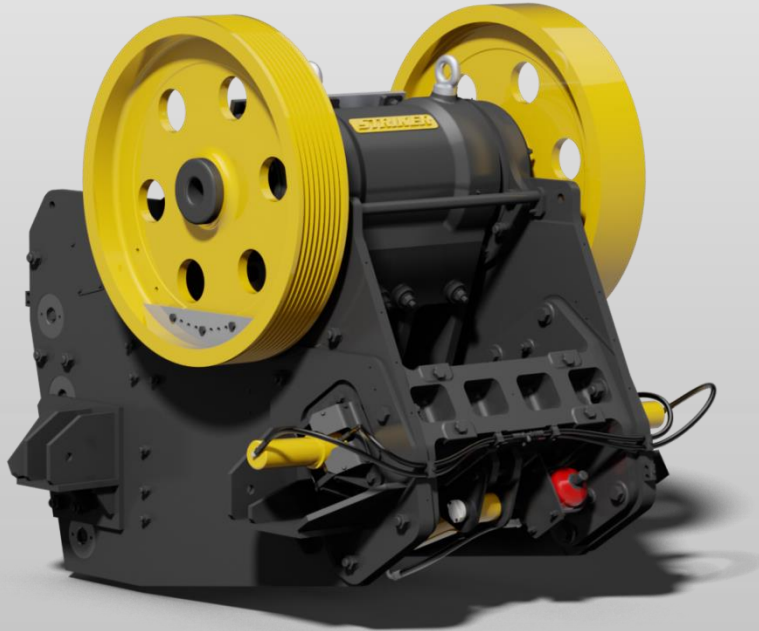
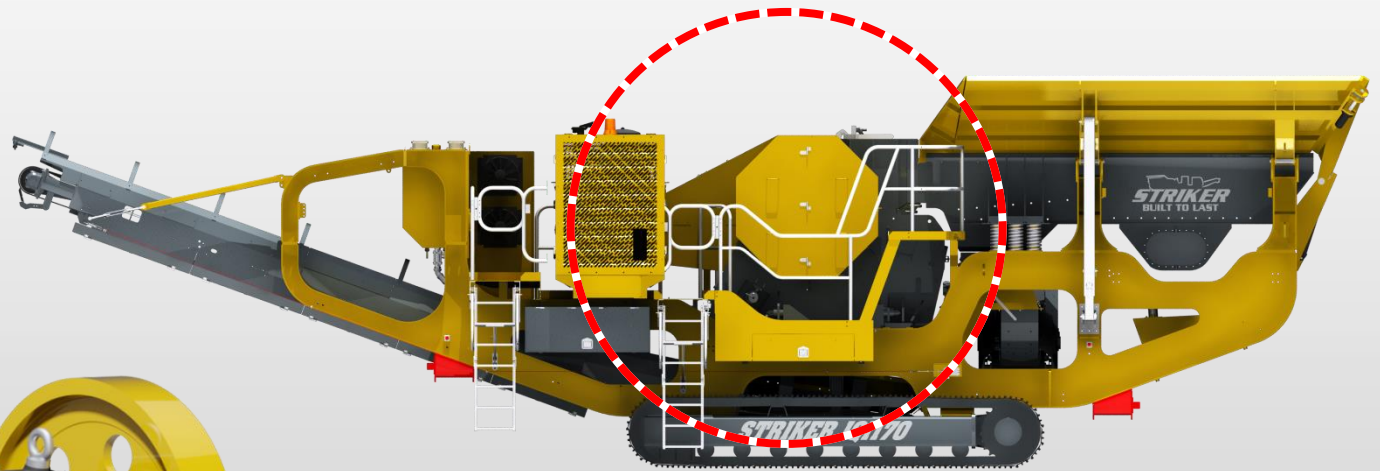
600mm (24") wide belt

Folds in uniquely under the hydraulically folding side hopper when in transportation

Dirt conveyor: 2.1m (6'11") discharge height, hydraulically folds for transport: 600mm (24") wide

Extended Dirt conveyor: 3.6m (11'10") discharge height, hydraulically folds for transport: 600mm (24") wide

Jaw Crusher – J Series (Option)



Deflector plate under crusher |

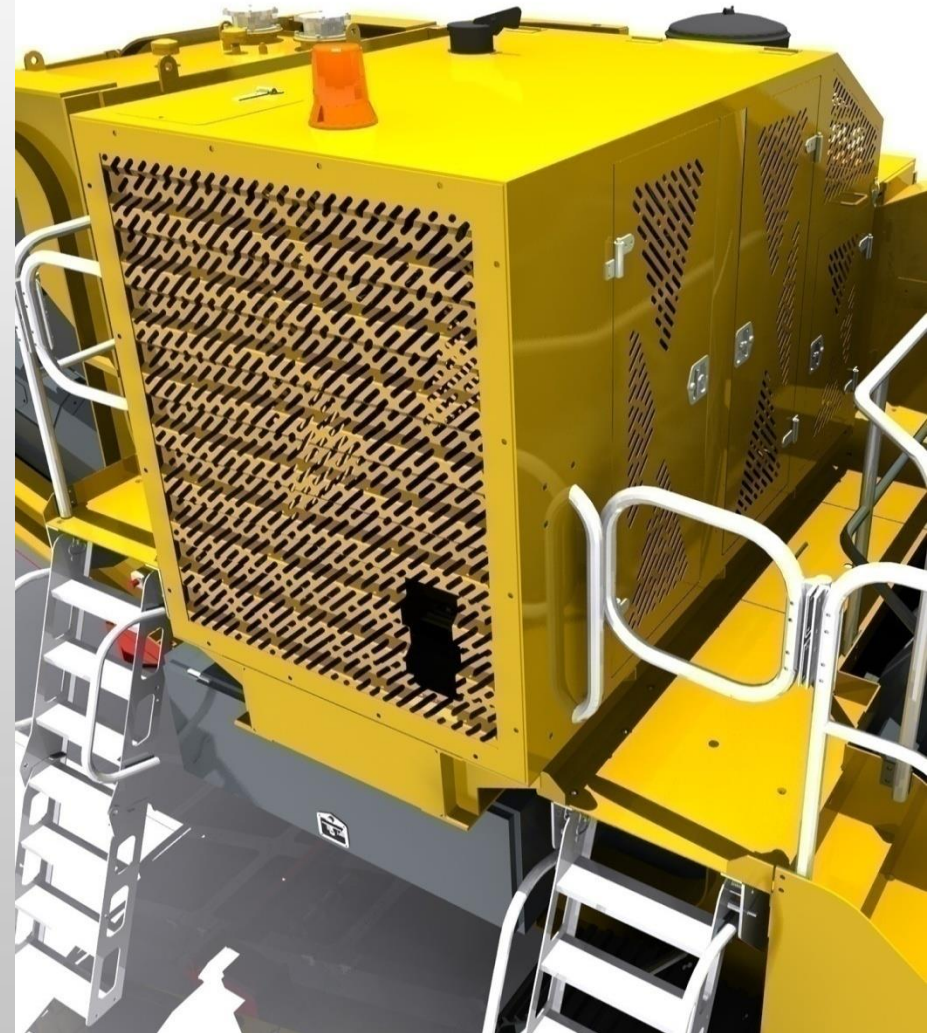
Power Pack (Option)

Powered by a CATERPILLAR® C9 LRC Stage 4 engine rated (350HP 265kW @ 2200rpm)

Cold climate oils (Recommended for ambient temperatures between -20°C to +30°C)

Radiator blast guards

Plant lighting mast



Dust Suppression (Option)

| Water pump



Remote Control Unit (Option)

- Umbilical remote control unit
- Control panel positive pressurisation



Controls (Option)

- Full PLC control panel
- Full system diagnostics
- Controls fitted to the plant include:

Sequential start up

- Engine (start/stop/speed)
- Crusher (start/stop)
- Optional side conveyor (start/stop)
- Feeder (start/stop/speed) controls, located on the side of the plant



Tracks (Option)

Lift and widen machine track kit for extra ground clearance



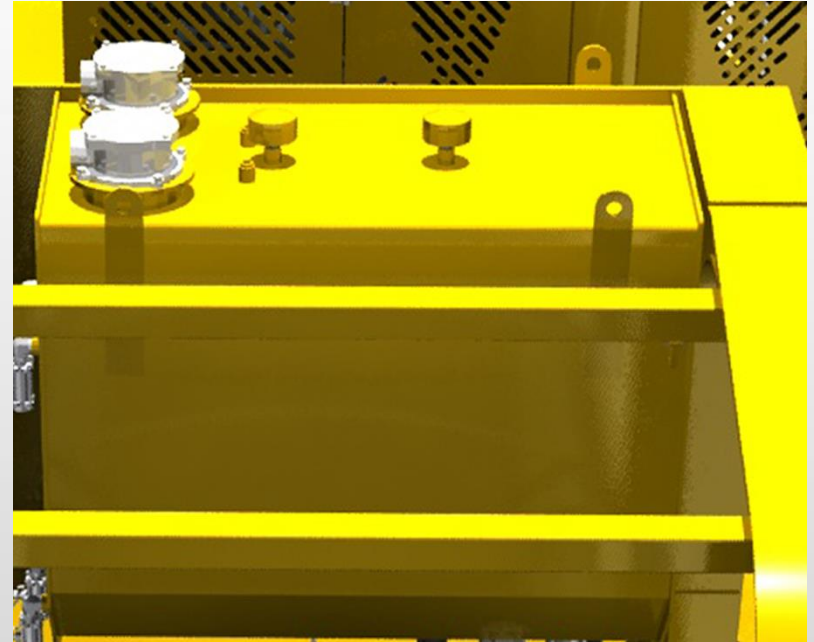
Rock Breaker (Option)

- Highly adaptable
- High efficiency & performance
- High durability
- Low noise & vibration



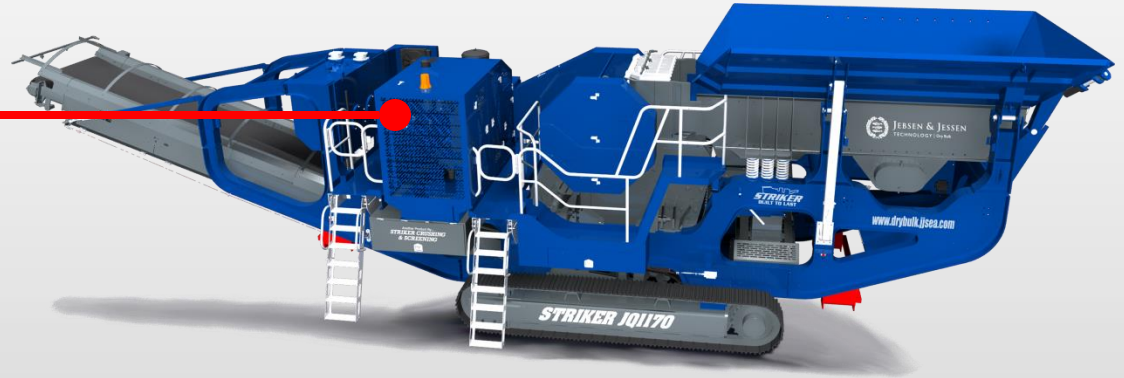
Fuel & Hydraulic Tank (Option)

Option to increase fuel tank capacity



Custom Branding (Option)

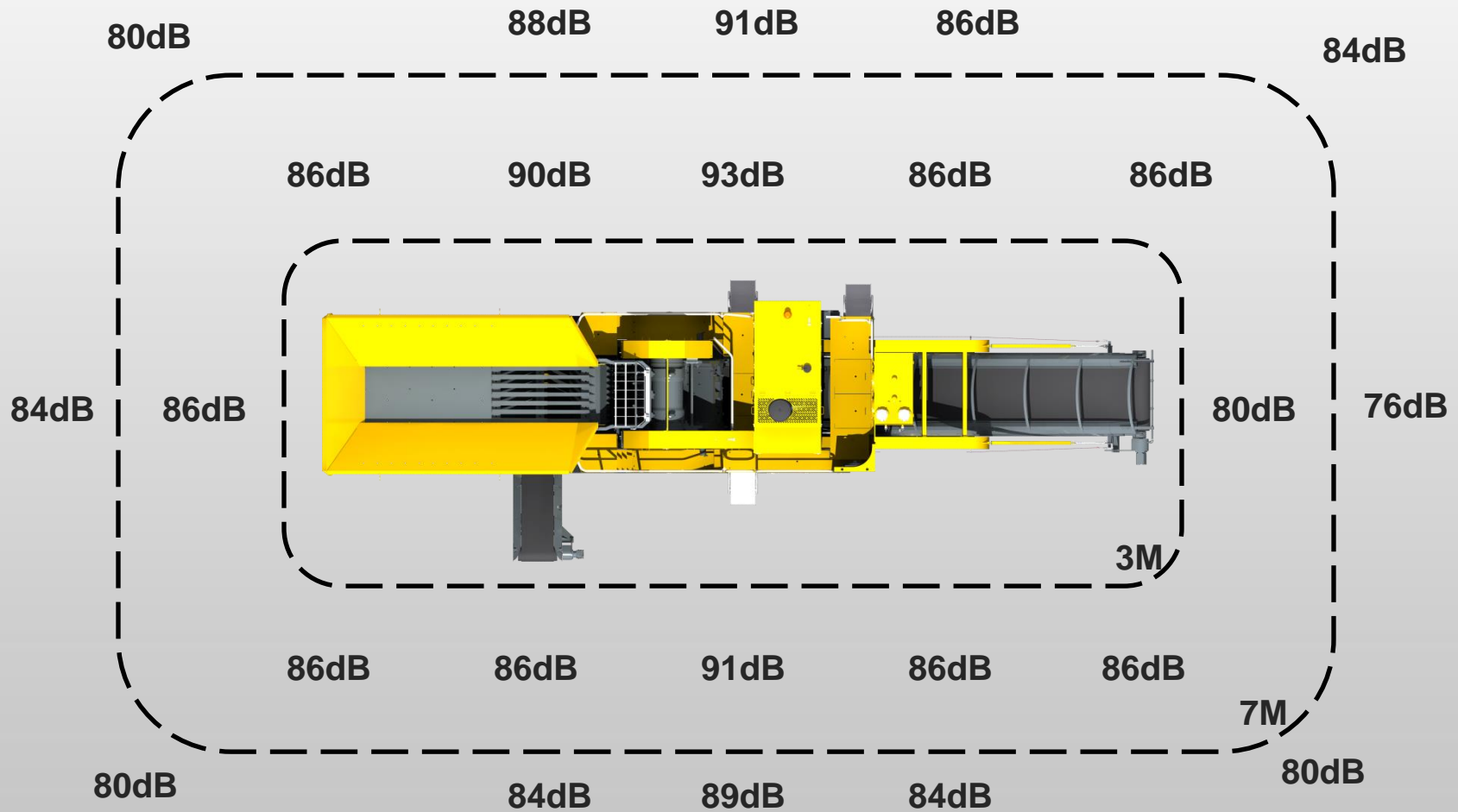
Custom paint



Custom logo on machine



Sound Levels



Selling Features Summary

Strong, reliable, robust heavy duty body designed & engineered web & flange chassis, fully welded & fabricated from high grade steel to withstand the rigors of operation & transportation

Hydraulically folding feed hopper wings fabricated from wear resistant steel including hydraulically powered locking system

Self cleaning stepped grizzly with vibrating twin shaft exciter

Heavy duty crusher design with fully hydraulic adjustable setting and optional under-crusher deflector plate

CATERPILLAR® engine as standard, compliant to industry regulations

Heavy duty tracks suitable for any environment

Extra wide product conveyor with full length rubber side skirts utilising wear resistant steel clamp plates

Maximised discharged height for product stockpiling

Height adjustable, overboard magnetic separator

Water spray system fitted to the forward product conveyor and jaw opening