



[www.strikercrushing.com](http://www.strikercrushing.com)



# Mobile Crushing & Screening

## SQ1862

Features & Benefits









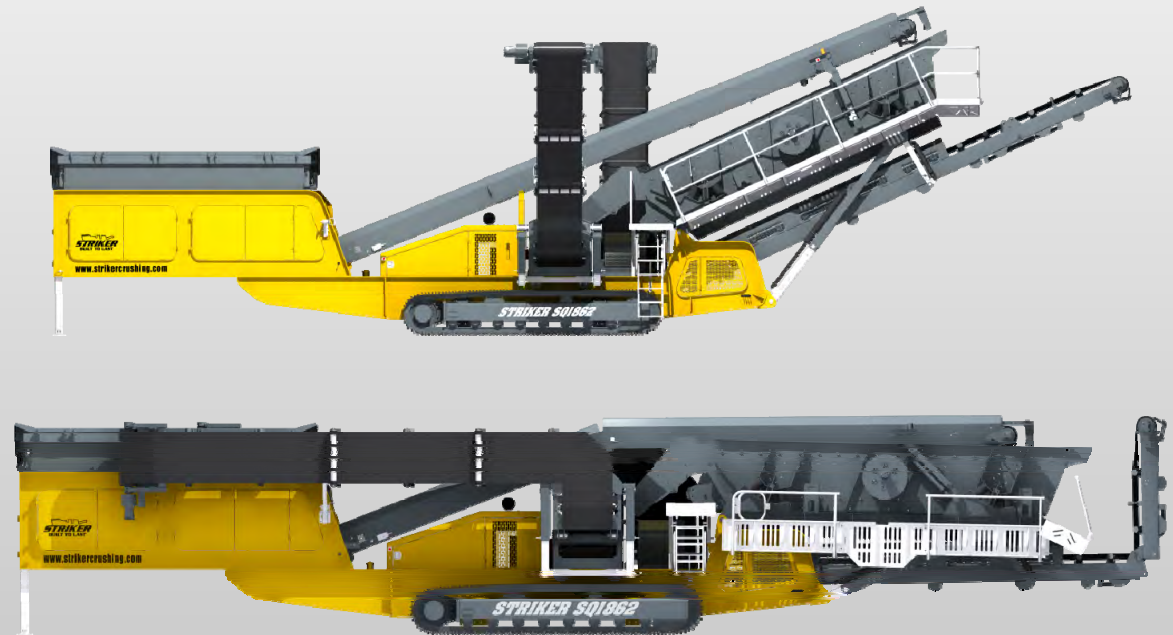
(SP02SI157-2000)

## Tracked Screen SQ1862



## Transport Dimensions

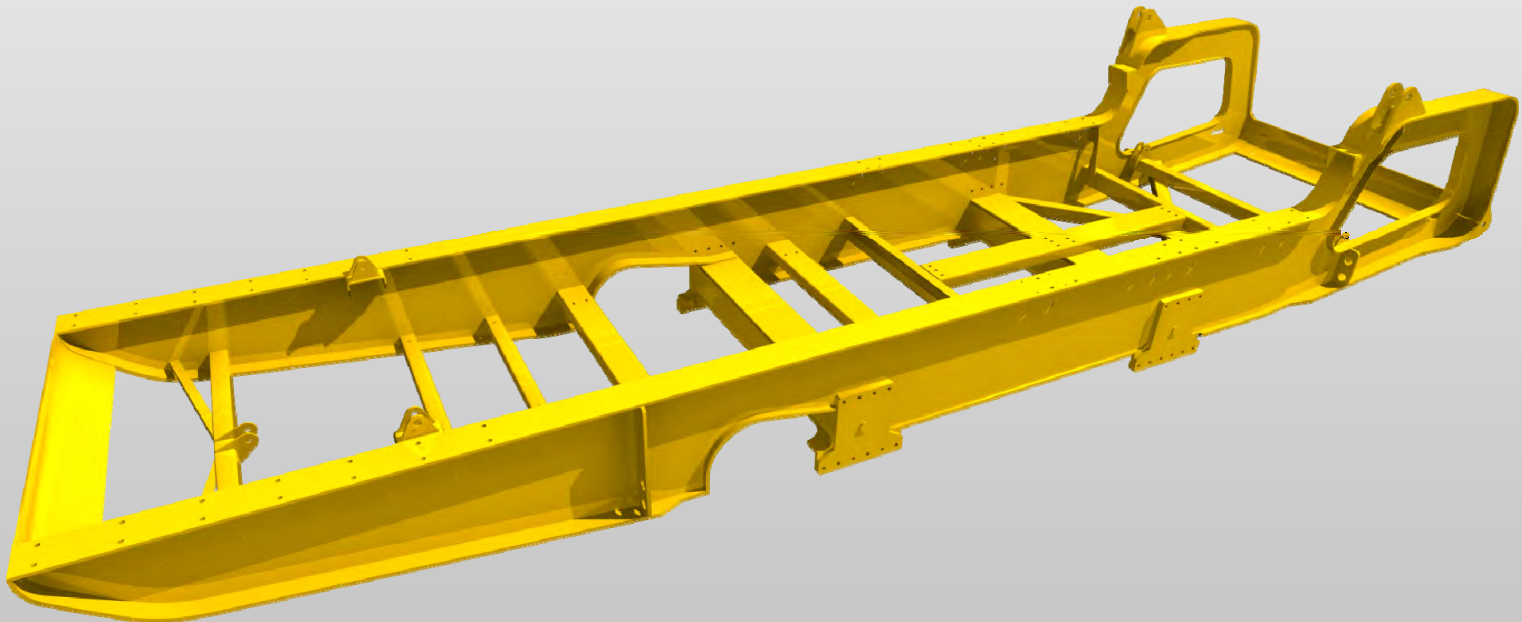
SQ1862	
<b>Operating Dimensions:</b>	
	19109mm 62' 8"
	18352mm 60' 3"
	5840mm 19' 2"
<b>Transport Dimensions:</b>	
	18114mm 59' 5"
	3046mm 10'
	3460mm 11' 4"
Weight (T):	36T
Weight (lbs):	79,366lbs



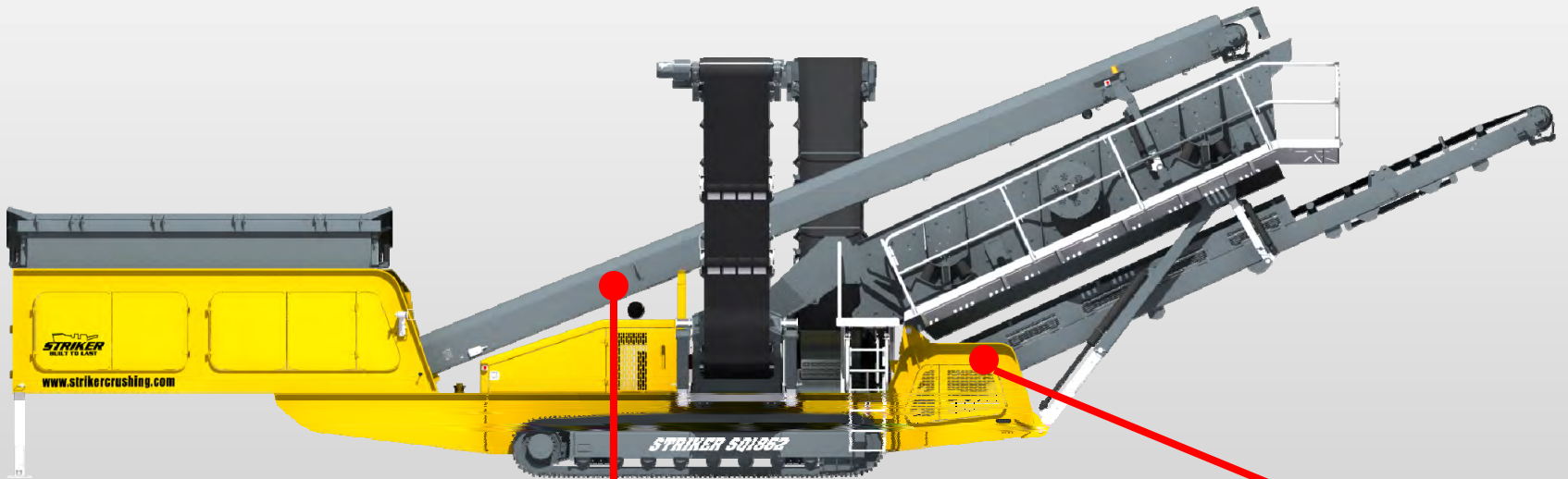


## Chassis

Extra heavy duty body – welded robust steel chassis



## Standard Paint (RAL)



RAL1007



RAL7012



## Vibrating Grid

Radio control tipping bofor steel |

Grid aperture: -150mm (6") |

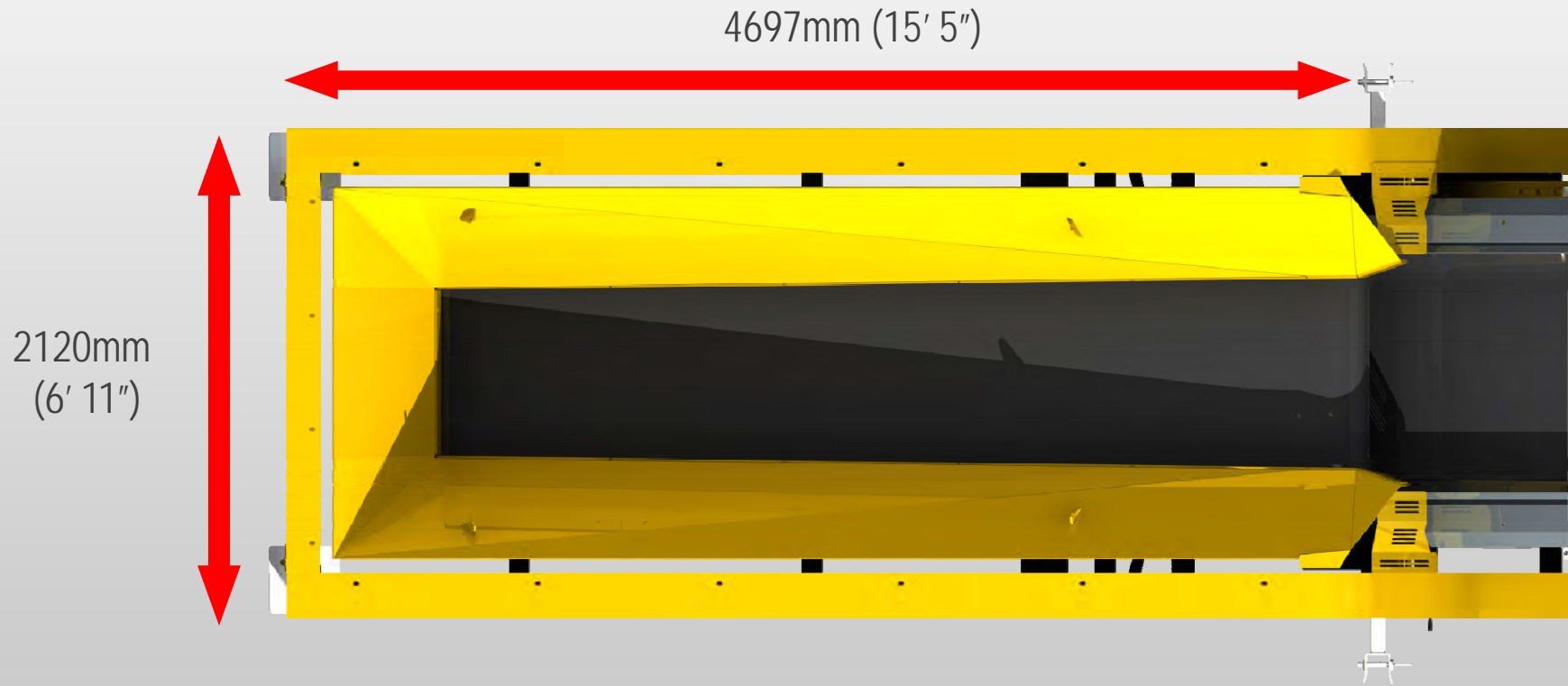


## Feed Hopper

- | Loading Height – 3337mm (10' 11")
- | Feed Hopper Capacity – 9m<sup>3</sup> (12yd<sup>3</sup>)
- | Feed type chassis c/w 4.3m hopper
- | Variable speed conveyor
- | Hydraulic jacking leg

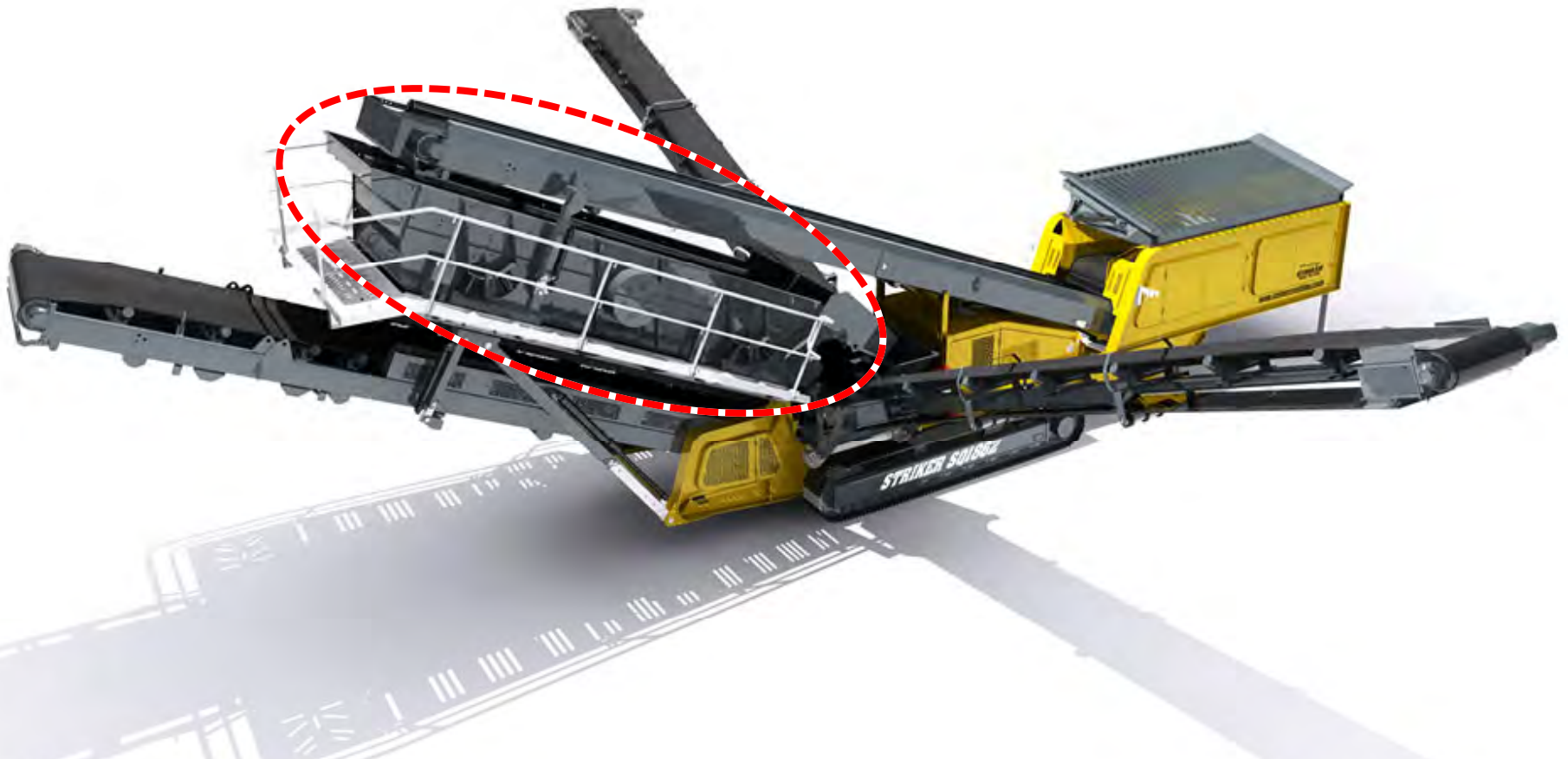


## Feed Hopper Dimensions





## Screen



## Screen Box

- 2 bearing screen box

- Double Deck Screen:

  - Side Tensioned Top Deck - 5.5m x 1.8m (18ft x 6ft)

  - Side Tensioned Bottom Deck - 5.5m x 1.8m (18ft x 6ft)

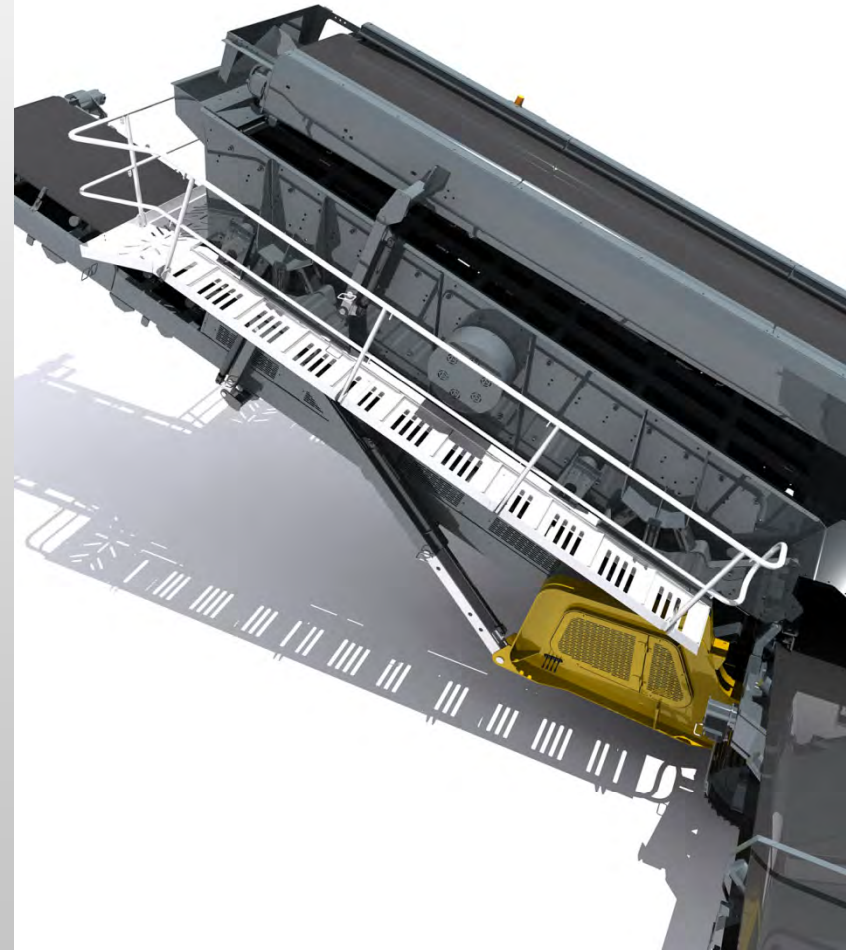
- Heavy duty screen box

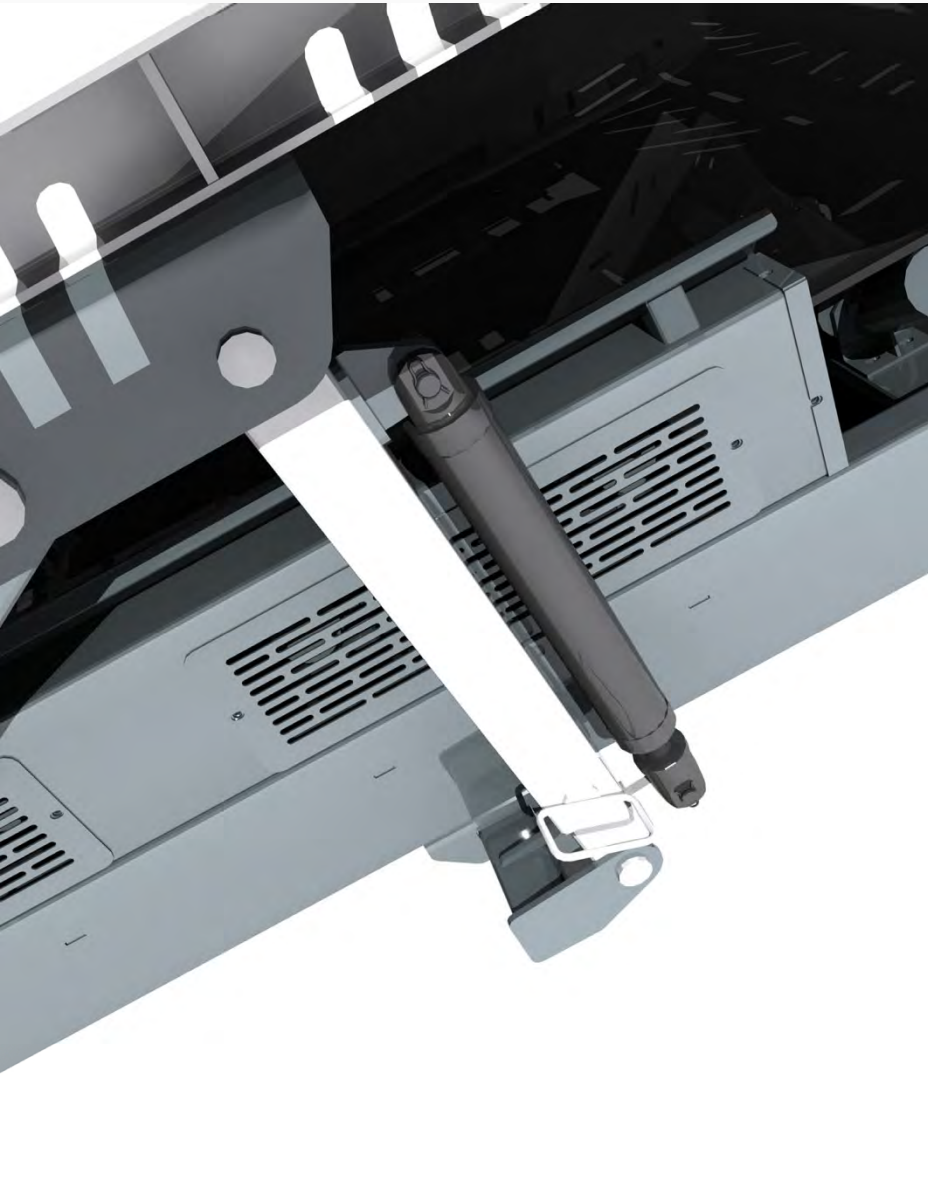
- Breaker box c/w spreader plate and steel wear plate at feed point

- Hydraulic screen angle adjustment

- Screen walkway & access ladder

- Screen blanket





## Screen Angle

Screen angle can be adjusted  
between 20°-25°

Hydraulically lifted into position

Rapid on site setup and operation

Complete flexibility onsite

## Other Top Deck Types

Woven Mesh  
Various  
Apertures



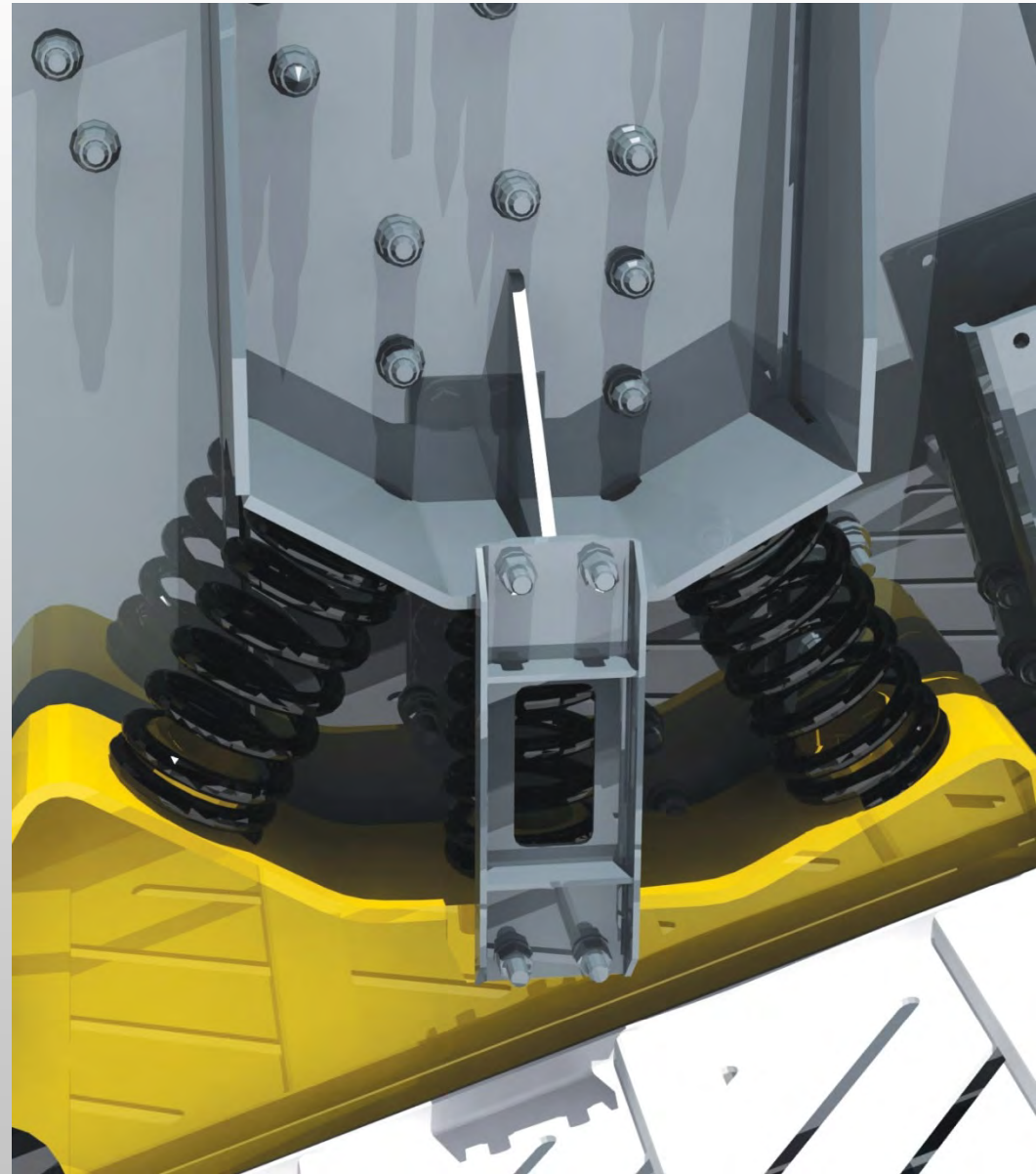
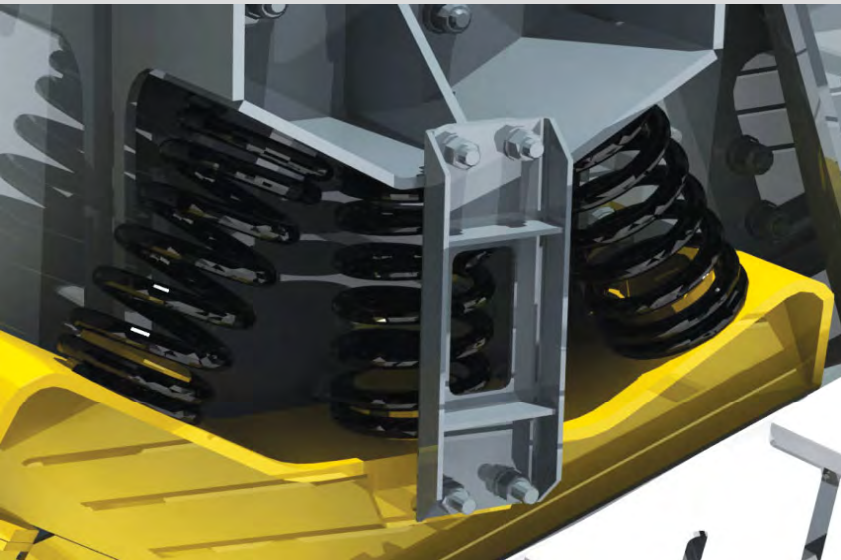
3" Punch  
Plate  
Assembly



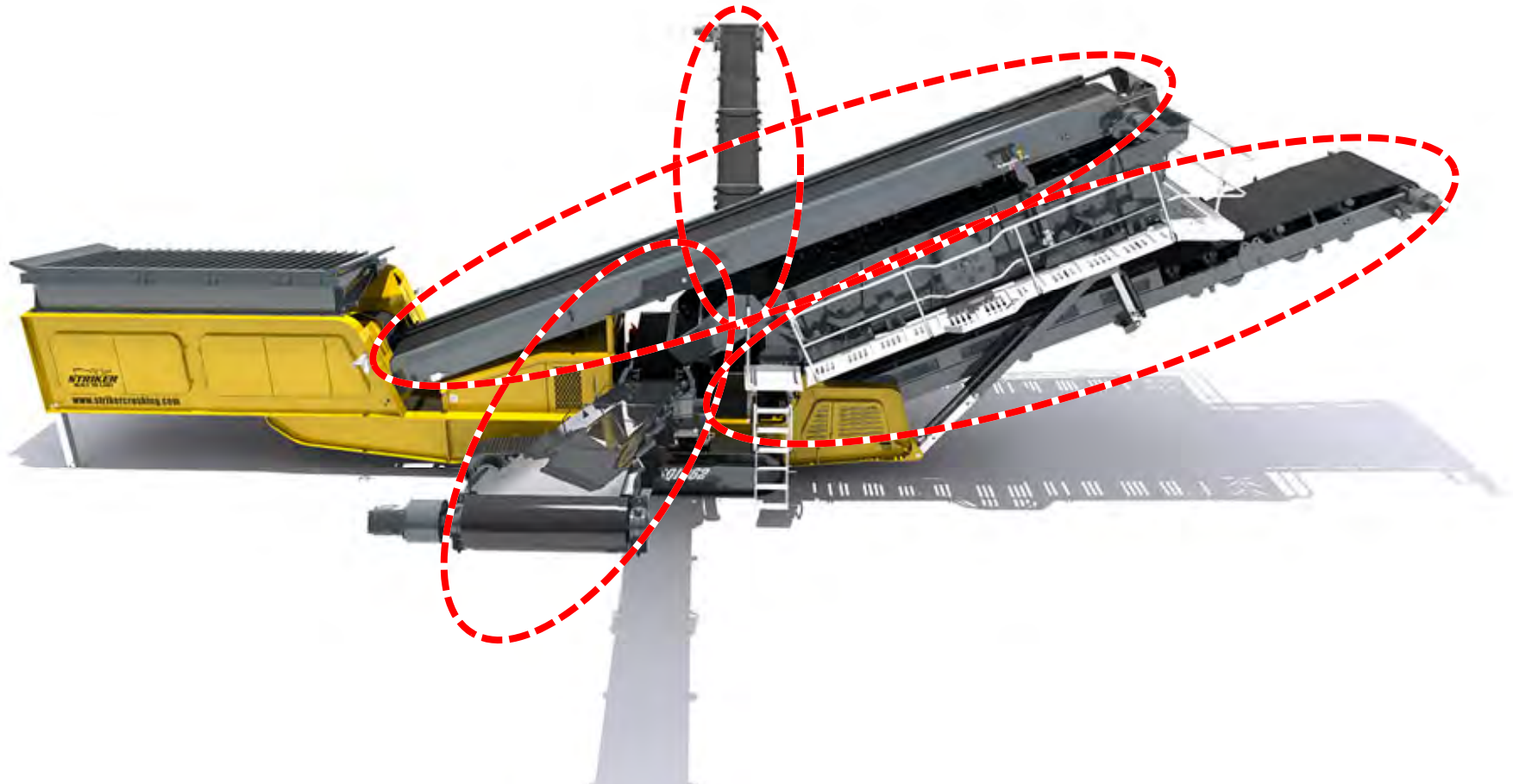
## Screen Supports

Screen box is mounted independently from the chassis

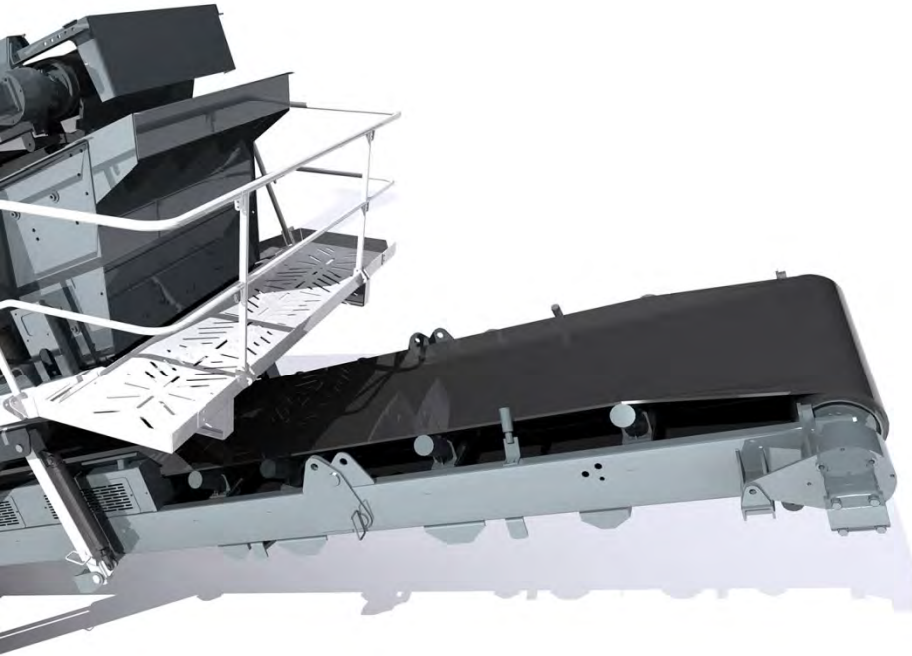
Four sets of three springs absorb the screens vibration to reduce stress on the main chassis



## Plant Conveyors



## Fines Products Conveyor



- Heavy duty 3 ply belt 1500mm (59") wide
- Directly below the screen discharge the conveyor has impact bars which take the load of crushed material impacting the belt
- Discharge height of 4599mm (15' 1")
- Hydraulic open and close



## Main Feed Conveyor

- Heavy duty 3 ply belt 1200mm (48") wide
- Fitted with adjustable rubber skirts and an adjustable spreader plate to disperse material evenly onto the screen
- Hydraulic adjustment
- Steel/rubber skirting incorporating anti-roll back deflectors
- Hydraulic raise and lower of head section for screen mesh access





## Side Conveyors

Heavy duty 3 ply chevron belt  
800mm (31") wide

Hydraulically folding for transport  
to give a shorter transport length

Side conveyor discharge height  
of 5184mm (17')

Hydraulic open and close

Variable speed control on each  
side conveyor



## Belt Retainers

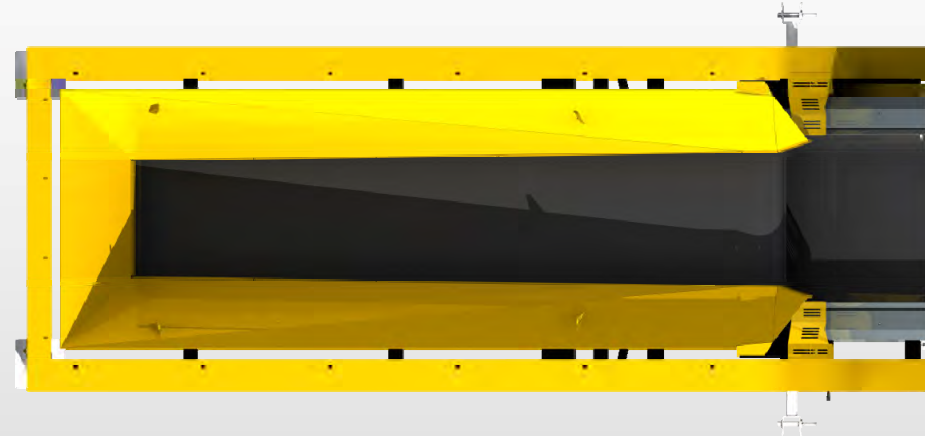
- | Side conveyor belt retainers fitted as standard
- | Prevents belt damage during transport



## Belt Feed Conveyor

Heavy duty belt 1200mm (48") wide and an extra wide opening reduces blockage

Support legs are galvanised



## Power Pack

Powered by a CATERPILLAR® C4.4 Tier 3 Equivalent 4 Cylinder diesel engine rated at 96kW

The engine complies with all current emission laws

Development in progress to update to Tier 4 type engine

Low level, easy access for maintenance via folding panel doors

Easy to maintain, reliable and efficient

Hydraulic oil Grade 68





## Fuel & Hydraulic Tanks

- 300 litre (66 gal) standard capacity fuel tank
- 460 litre (101 gal) standard capacity hydraulic tank
- Level indicator gauges
- Hydraulic oil filtration system and air filter
- Hydraulic oil cooler fitted as standard
- Lockable filler cap



## Hydraulic Components

Easy access to hydraulic components for maintenance

Simple ON/OFF hydraulic blocks

The hydraulic system powers:

Feed hopper

Screen

Tracks

Oversize conveyor

Side conveyors



## Manual Hydraulic Controls

Manual hydraulic levers power the following and are easy to operate and allow for quick setup and operation:

Feed Hopper

Screen

Oversize conveyor

Side discharge conveyors





## Controls

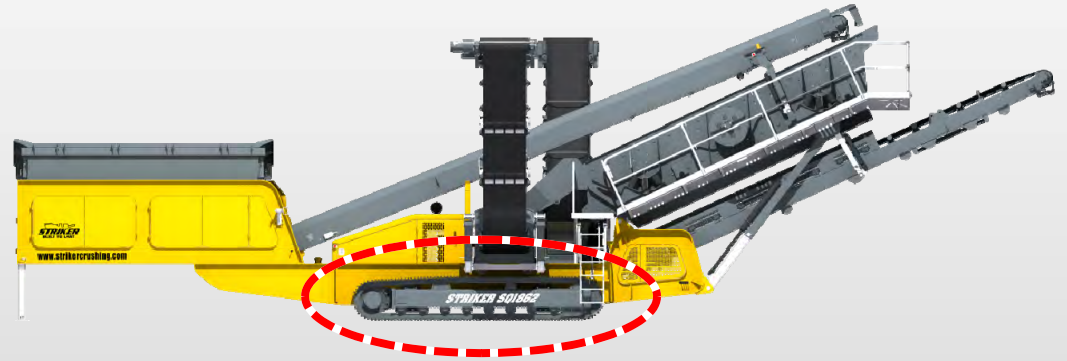
- | Simple user friendly operation
- | Clearly marked diagrammatic fault monitoring
- | Low voltage system





## Tracks

- Hydraulically driven crawler tracks
- Track centres 3840mm (12' 7")
- Track shoe width 400mm (1' 4")



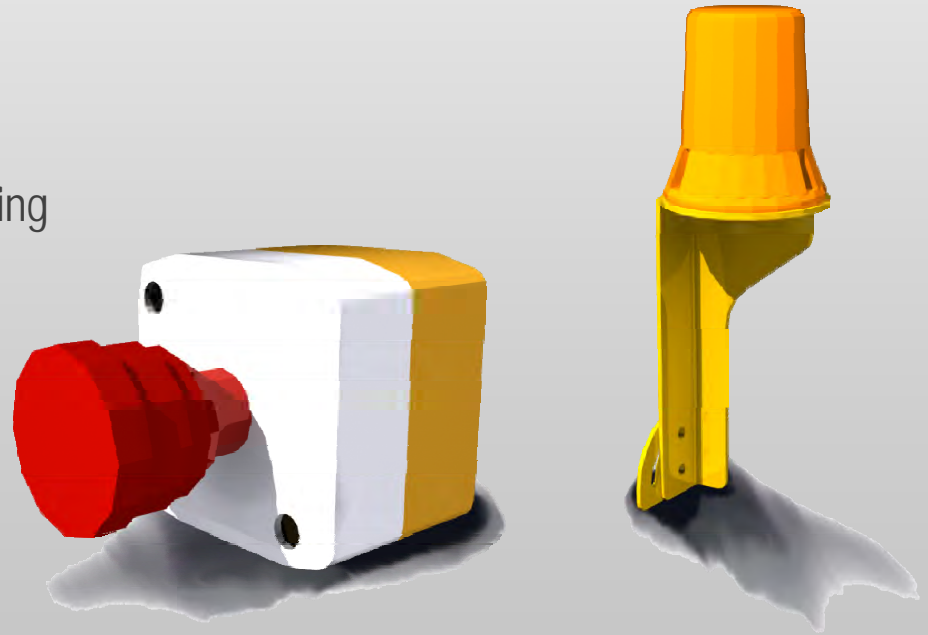
## Remote Control Unit

- Ergonomic, robust hand held remote control suitable for working environments
- Emergency stop button suitably located
- Left & right track movement forward & reverse
- Radio remote control unit



## Machine Safety Aspects

- Nip point guarding
- External conveyor belt adjustment
- Remote greasing
- 7 second engine start delay & siren
- Warning siren to alert that the machine is tracking
- Engine (emergency) stops
- Lanyard (pull wire) fitted to the side of the chassis (Optional)



## Options

- | Dust suppression system
- | Radio controlled tracks
- | Top deck mesh or punchplate
- | Wear resistance steel apron feeder or belt feeder
- | Arctic package for operating conditions – 20 °C
- | Desert package for operating conditions + 50 °C
- | Plant lighting tower
- | 3 meter air extension kit for engine air cleaner
- | Paint



## Vibrating Grid (Option)

No grid

Grid aperture: -100mm (4")

12ft 2 Deck vibrating grid c/w radio control tipping bofor grid 100mm (4") top deck and 38mm (1.5") bottom deck mesh



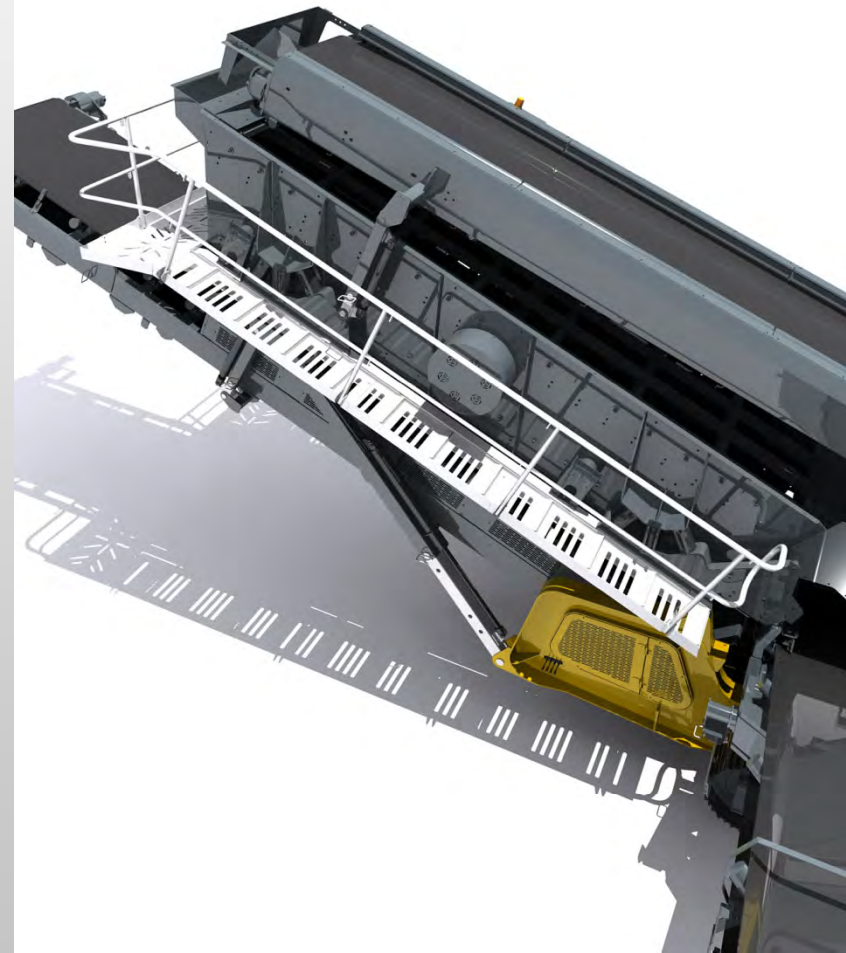
## Conveyors (Option)

- | Spherical Roller Bearings with 2 piece housings all conveyors



## Screen Box (Option)

- | Screen soft start and stop



## Screen Mesh (Option)



| Top Deck

| Bottom Deck Speedharp

| Bottom deck 2<sup>nd</sup> split

| Bottom deck 3<sup>rd</sup> split



## Power Pack (Option)

Powered by a CATERPILLAR® C4.4 Tier 4F- 4 Cylinder diesel engine rated at 96kW



## Remote Control Unit (Option)

Umbilical remote control unit



## Selling Features Summary

Strong, reliable, robust heavy duty body designed & engineered web & flange chassis, fully welded & fabricated from high grade steel to withstand the rigors of operation & transportation

CATERPILLAR® engine as standard, compliant to industry regulations

Heavy duty tracks suitable for any environment

Extra wide product conveyor with full length rubber side skirts utilising wear resistant steel clamp plates. Maximised discharge height for product stockpiling

Hydraulically folding conveyor for compact transportation and rapid operational setup