



www.strikercrushing.com



Mobile Crushing & Screening

HQR1312

Features & Benefits









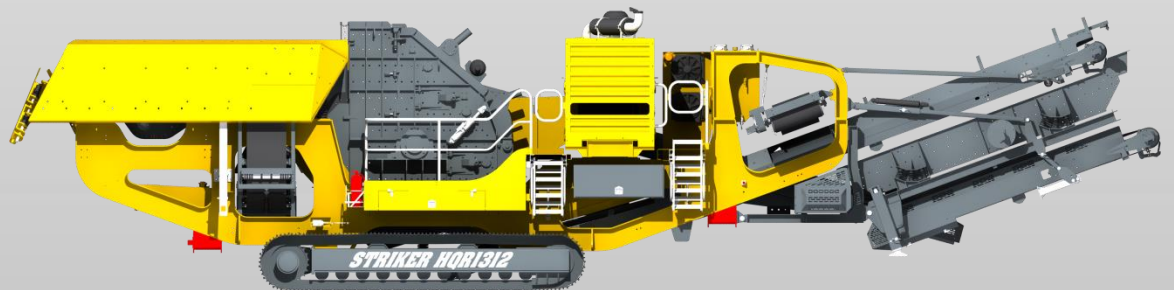
(SP02SI148-1901)

Tracked Impact Crusher HQR1312



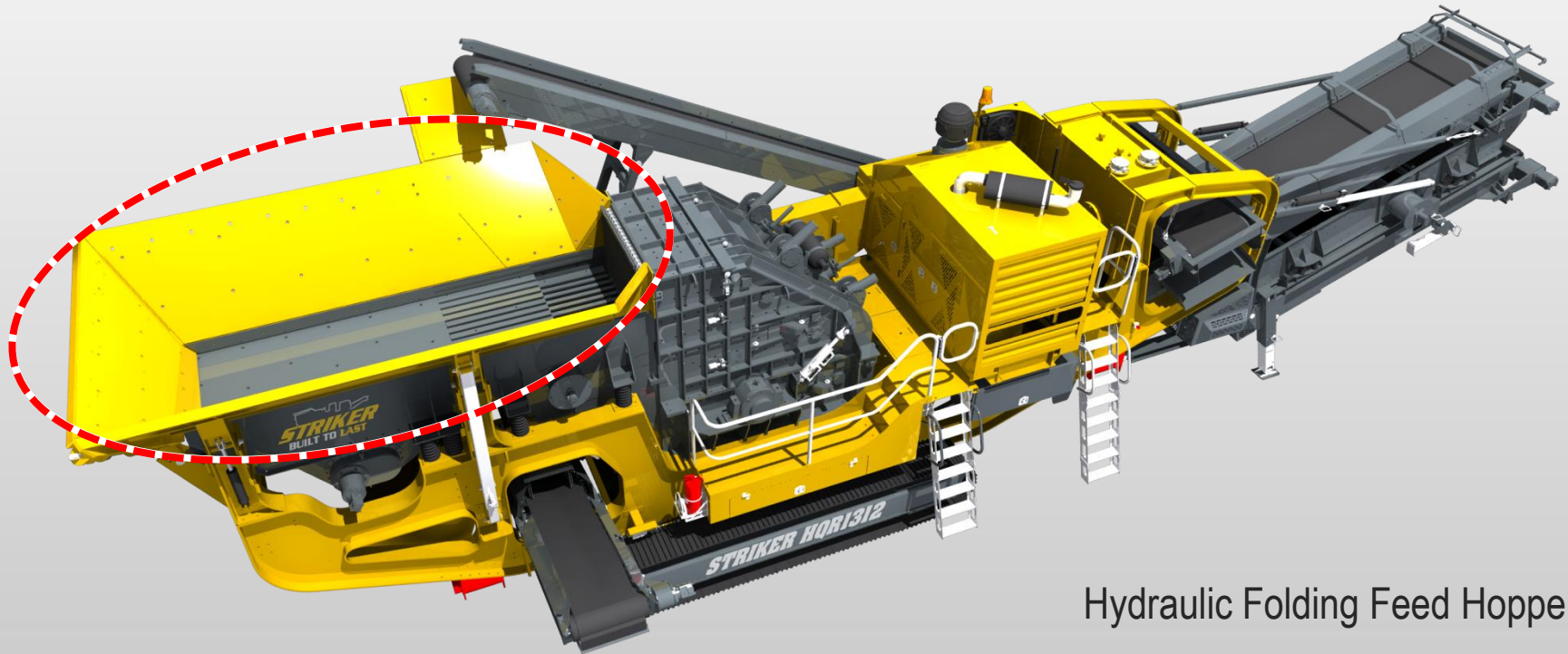
Transport Dimensions

HQR1312	
Operating Dimensions:	
	19226mm 63' 1"
	4278mm 14'
	5194mm 17'
Transport Dimensions:	
	17982mm 59'
	3612mm 11' 10"
	4087mm 13' 5"
Weight (T):	62T
Weight (lbs):	136,687lbs



NOTE: Higher & Wider – Track width increases 400mm and raises 200mm. This gives increase ground clearance and maintenance access.

Feed Hopper



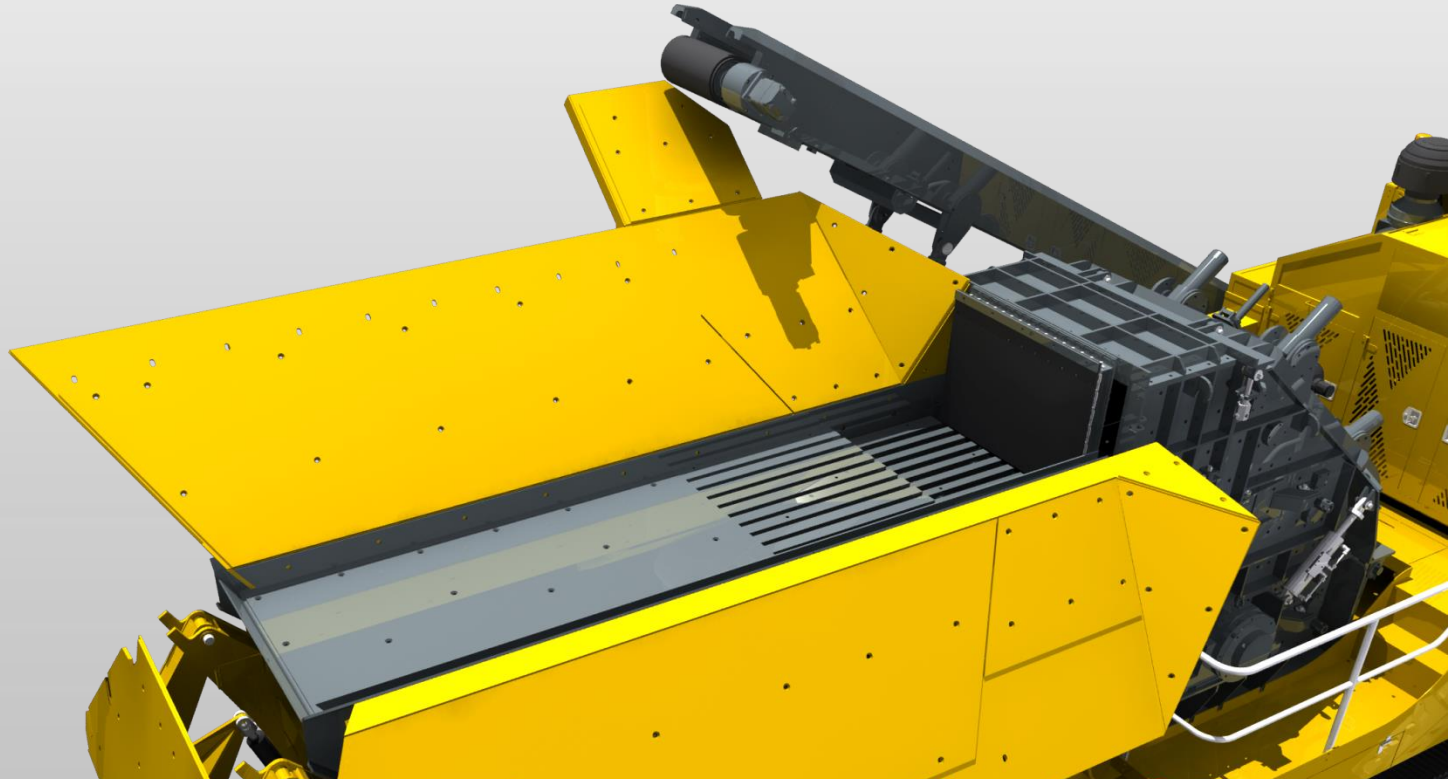
Hydraulic Folding Feed Hopper

Loading Height – 4432mm (14' 6")

Feed Hopper Capacity – 10m³ (13yd³)

Feed Hopper Wings

- Heavy duty wear resistant steel feed hopper construction
- Hydraulically operated folding side and rear wings
- Reinforced box section webs
- Rapid set up time



Feed Hopper Pins

Unique hydraulic locating and locking system

Increased safety feature

Removes the need to climb on the plant

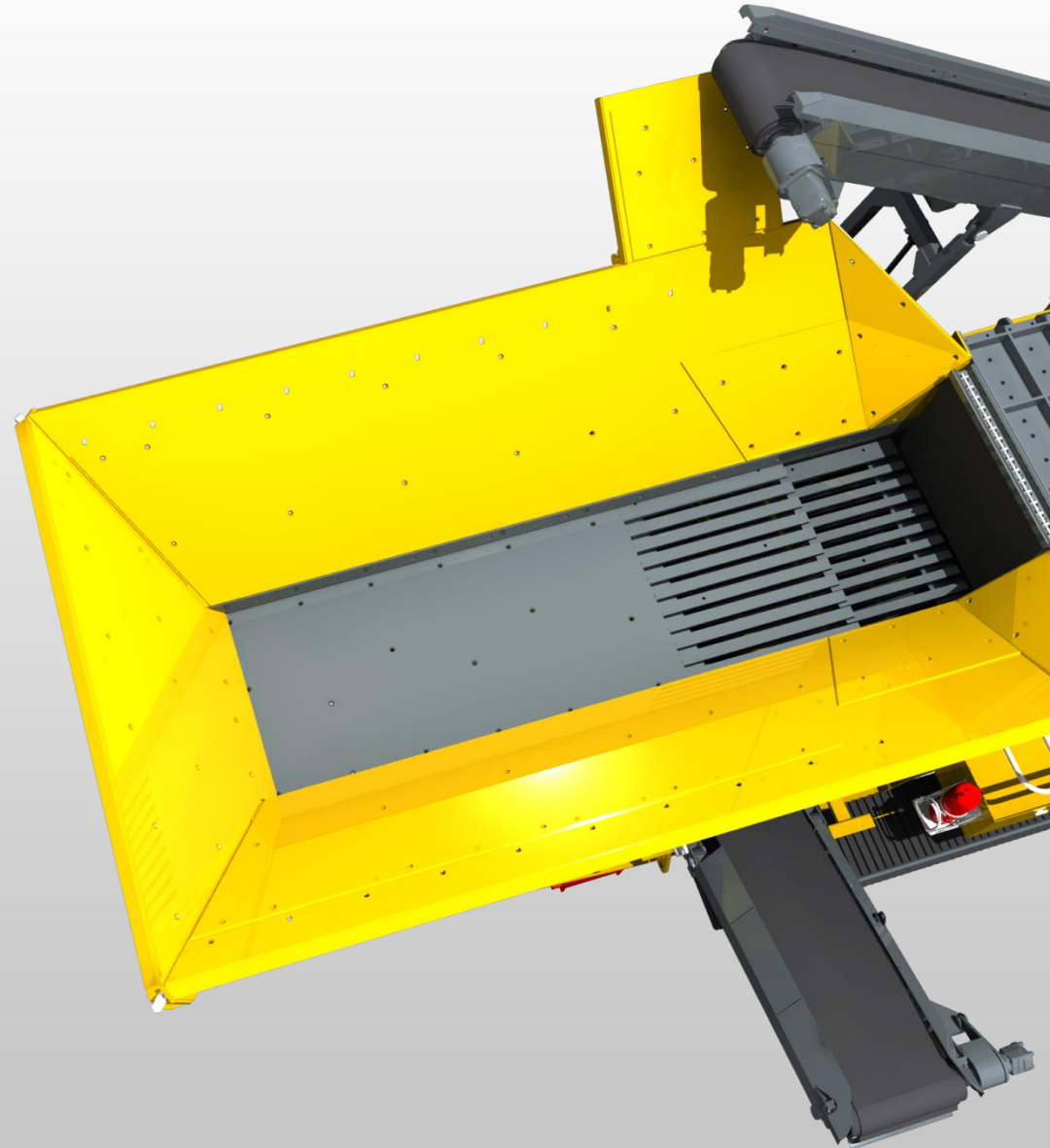


Feeder Liners

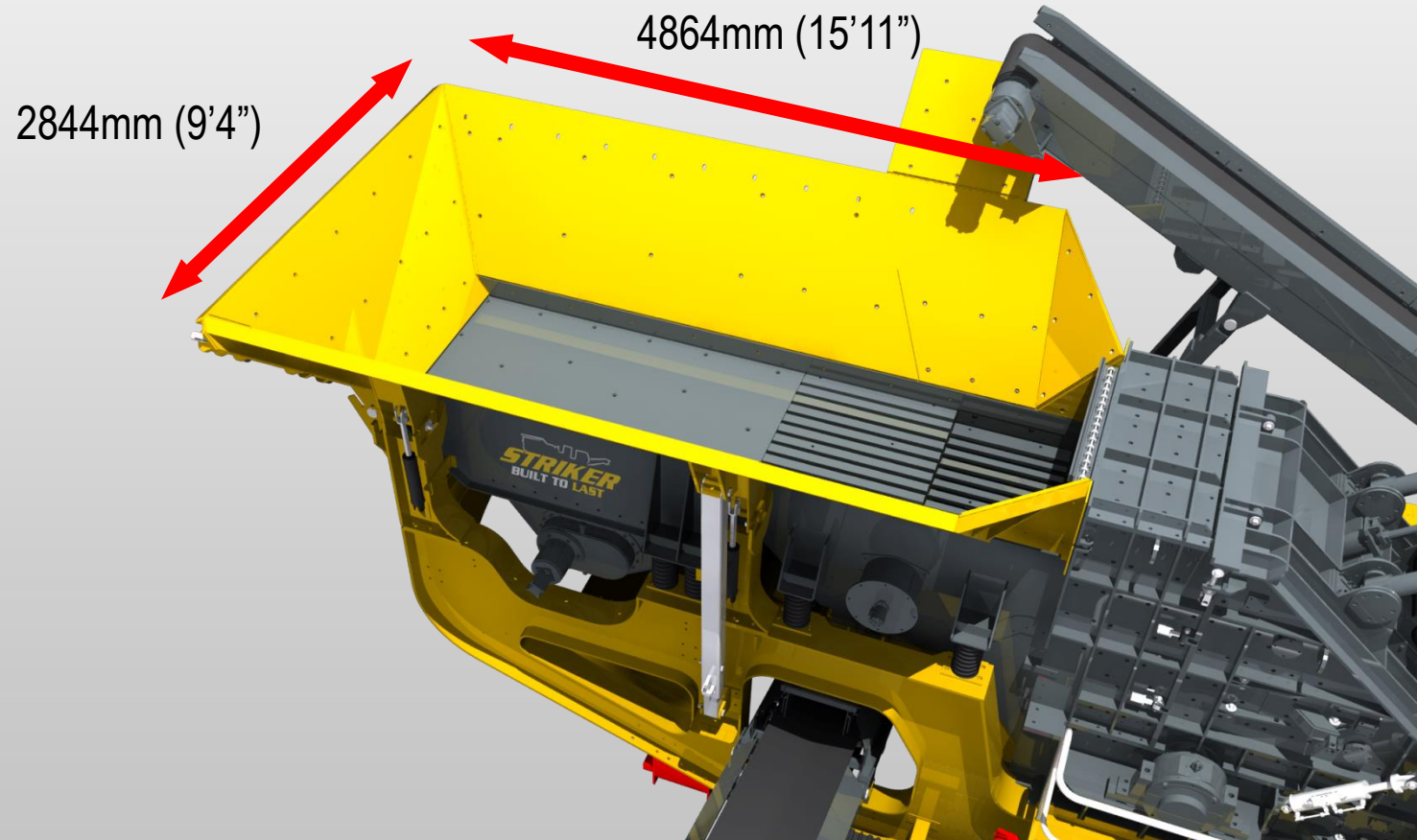
Fabricated from either high quality wear resistant steel plate or mild steel utilizing wear resistant liners

Feeder Liners to protect the hopper from excessive wear

Easy to replace

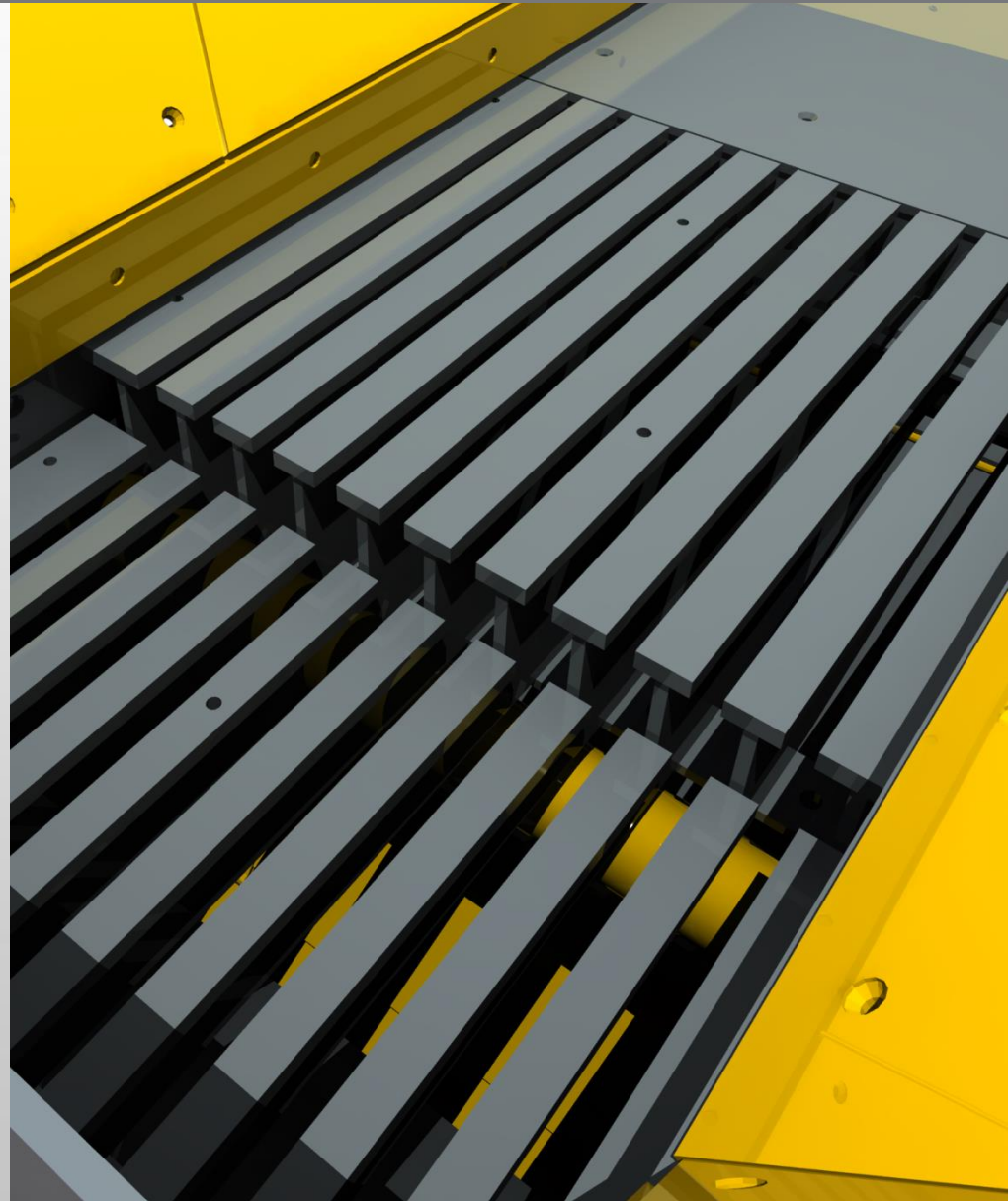


Feed Hopper Dimensions

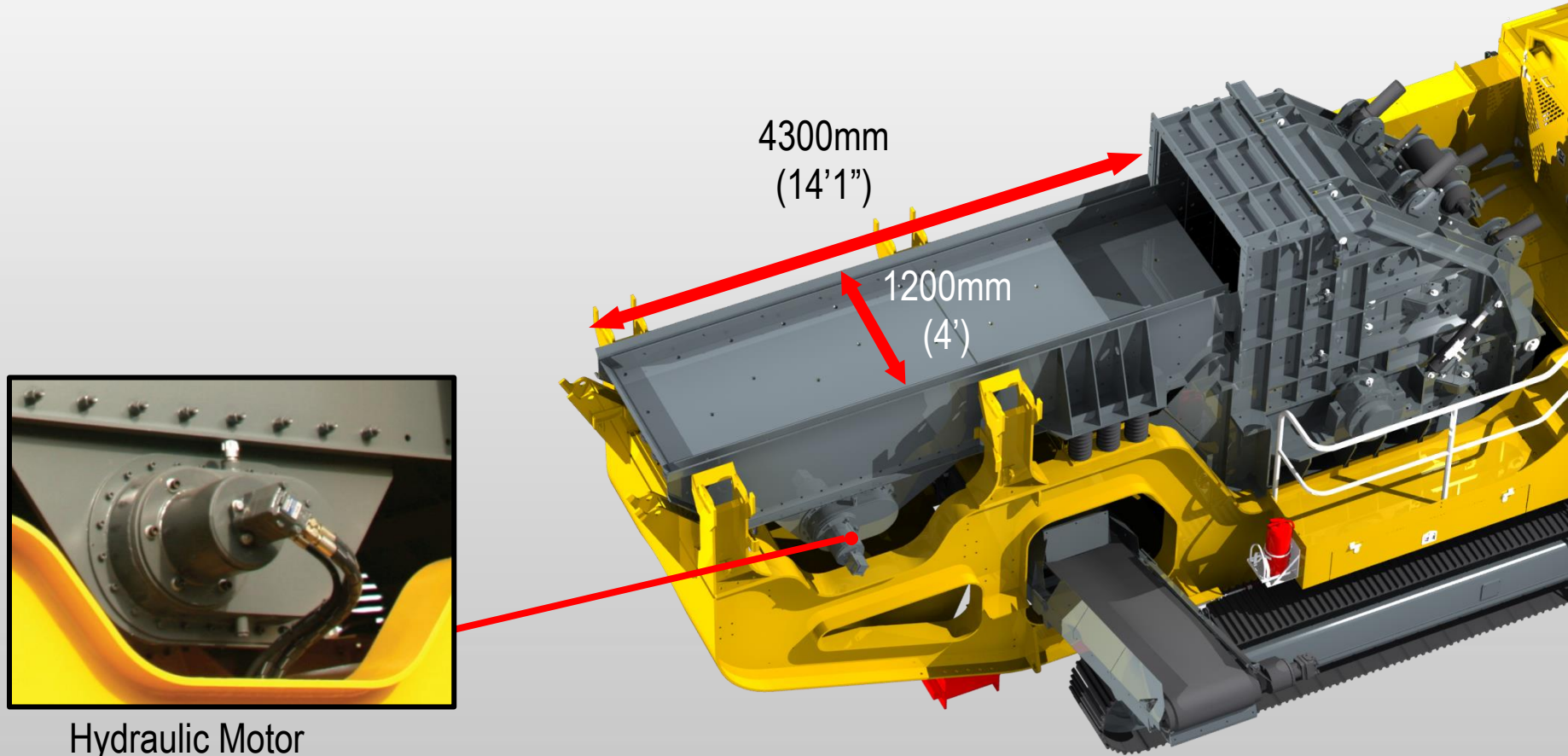


Grizzly Feeder

- | Fabricated from wear resistant steel
- | Vibrating grizzly feeder with 2 stepped bolt in grizzly cartridges
- | Grizzly cartridges with 43mm (1.6") nominal spacing
- | Wear resistant steel floor plate liners
- | Twin shaft exciter coupled with hydraulic motor
- | Variable speed control
- | Bolt in blanking plates
- | Blanking plates for grizzly
- | Bottom deck media (Blanking mat for Pre-screen bottom deck)



Grizzly Feeder Dimensions

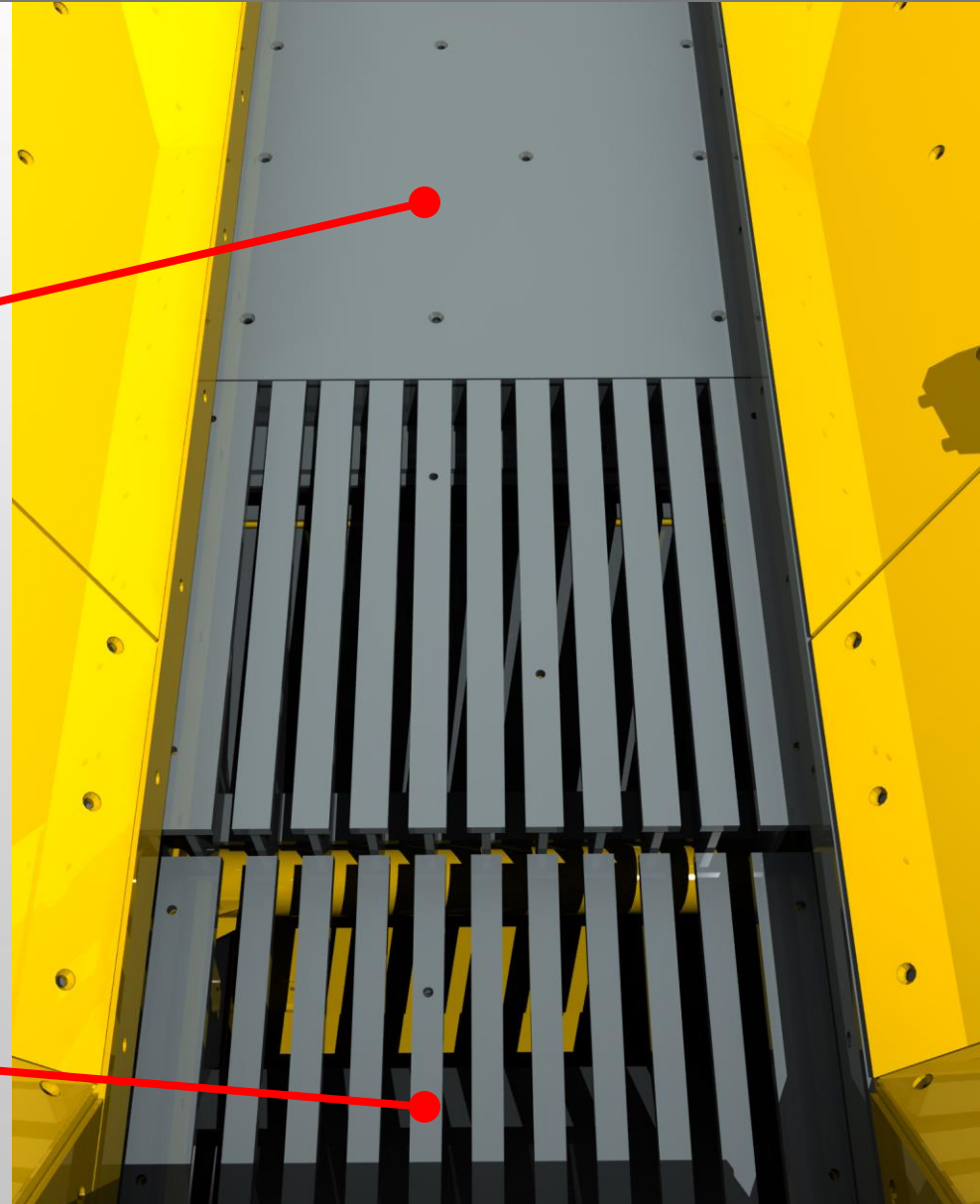


Hydraulic Motor

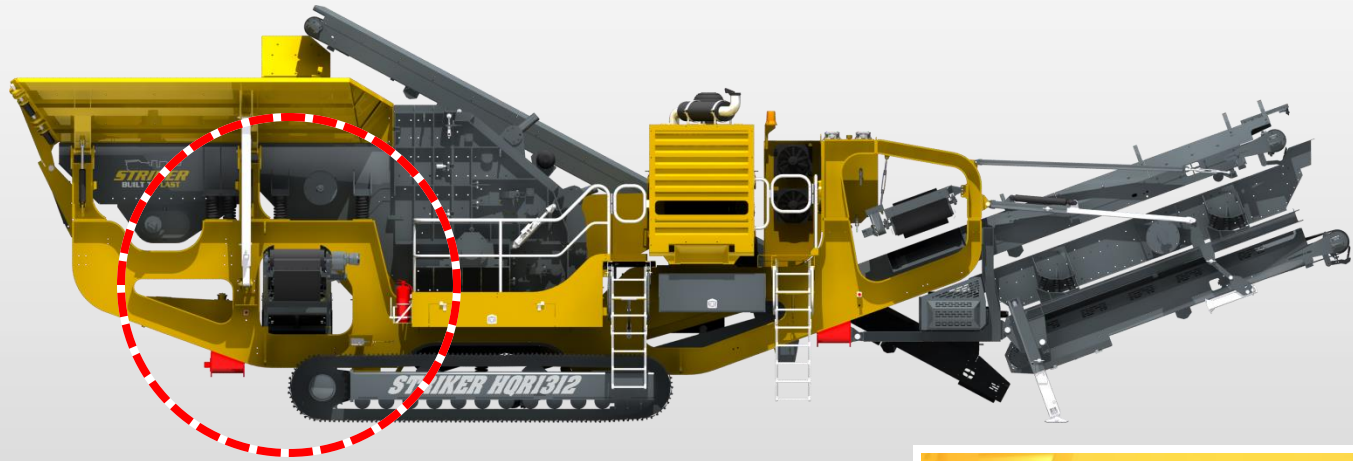
Grizzly Feeder

Wear Resistant Liners

Self Cleaning Stepped Cartridge



By-Pass Chute

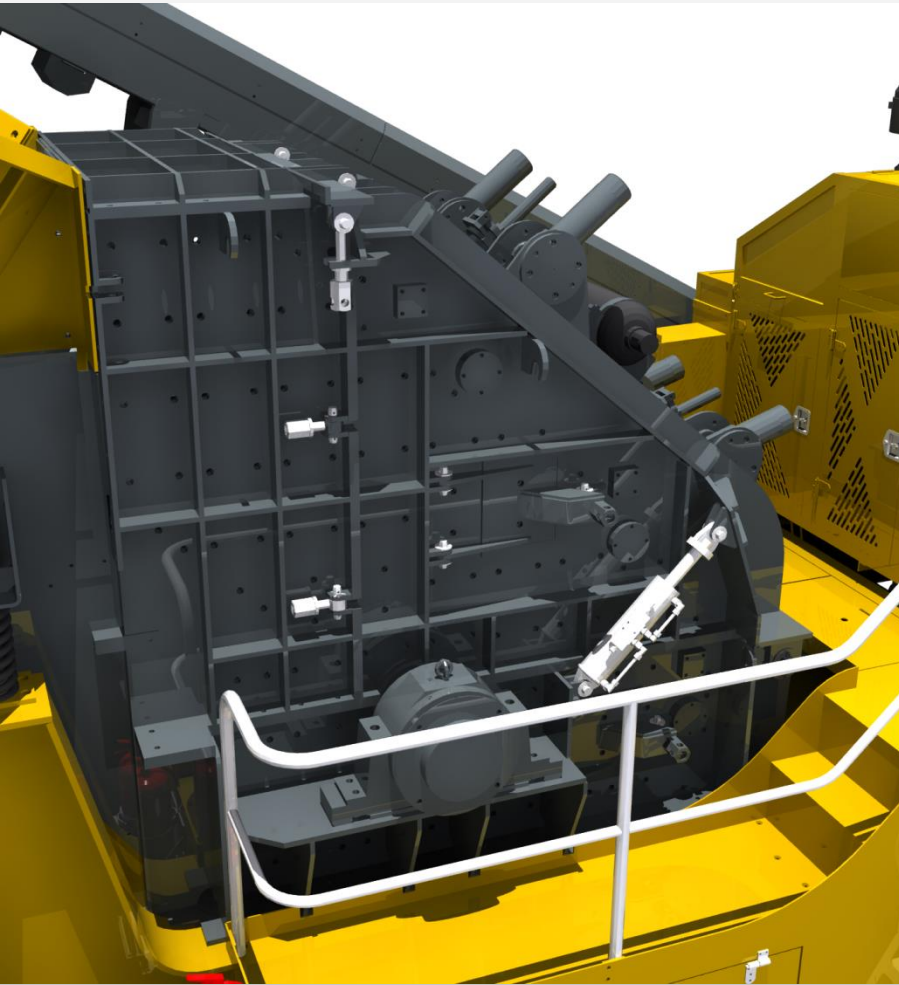


By-Pass chute removes natural fines from the feed material and discharge onto the “Side Discharge Conveyor”

The lever operates a two way door for diverting material either onto the “Forward Product Conveyor” or the “Side Discharge Conveyor”



Impactor

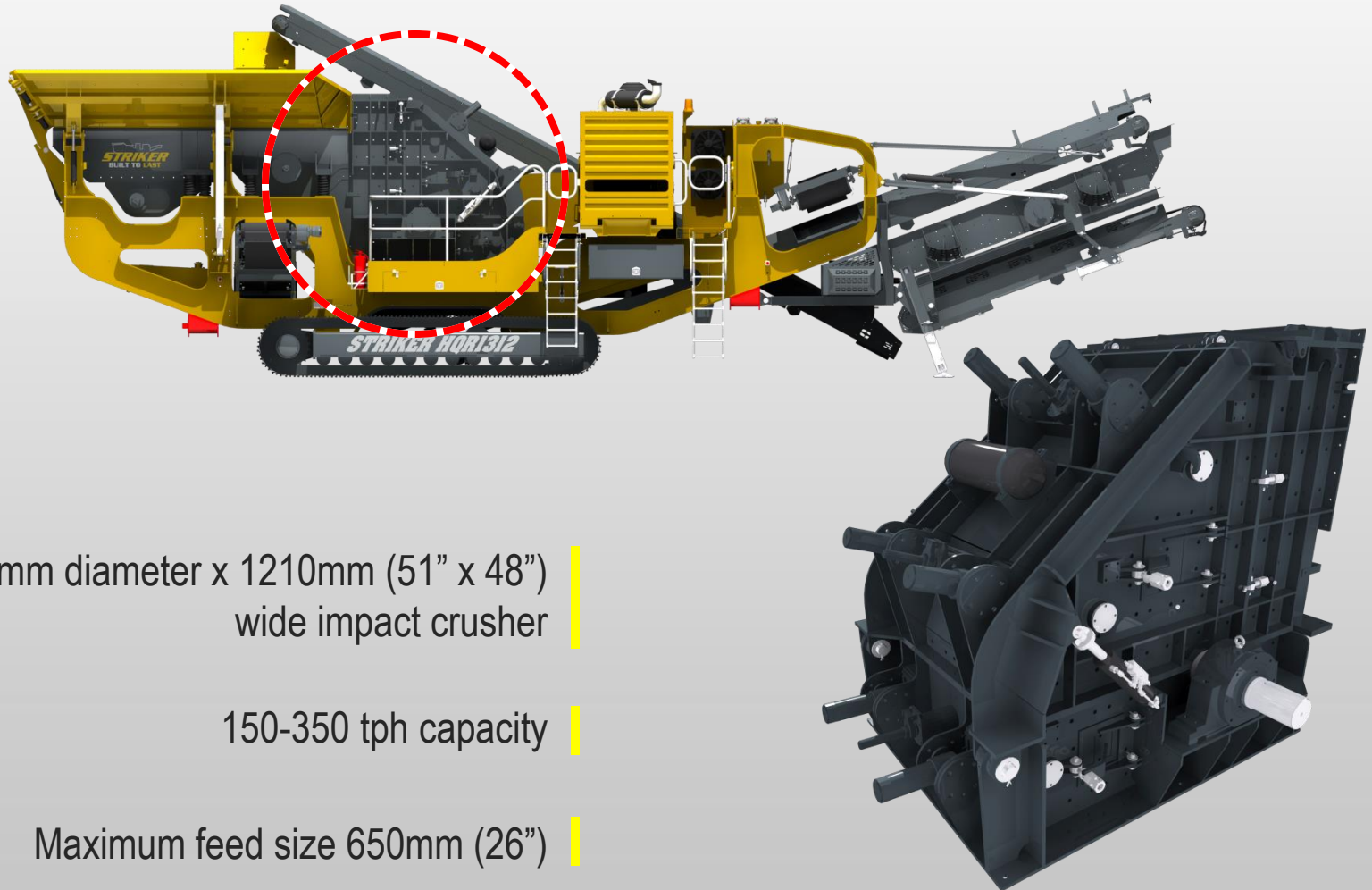


Well proven high performance impactor featuring heavy-duty open disc style rotors with four blows bars as standard

Blow bar support beams sized to ensure the rotor has the highest moment of inertia available

Hydraulic overload protection system

Impact Crusher

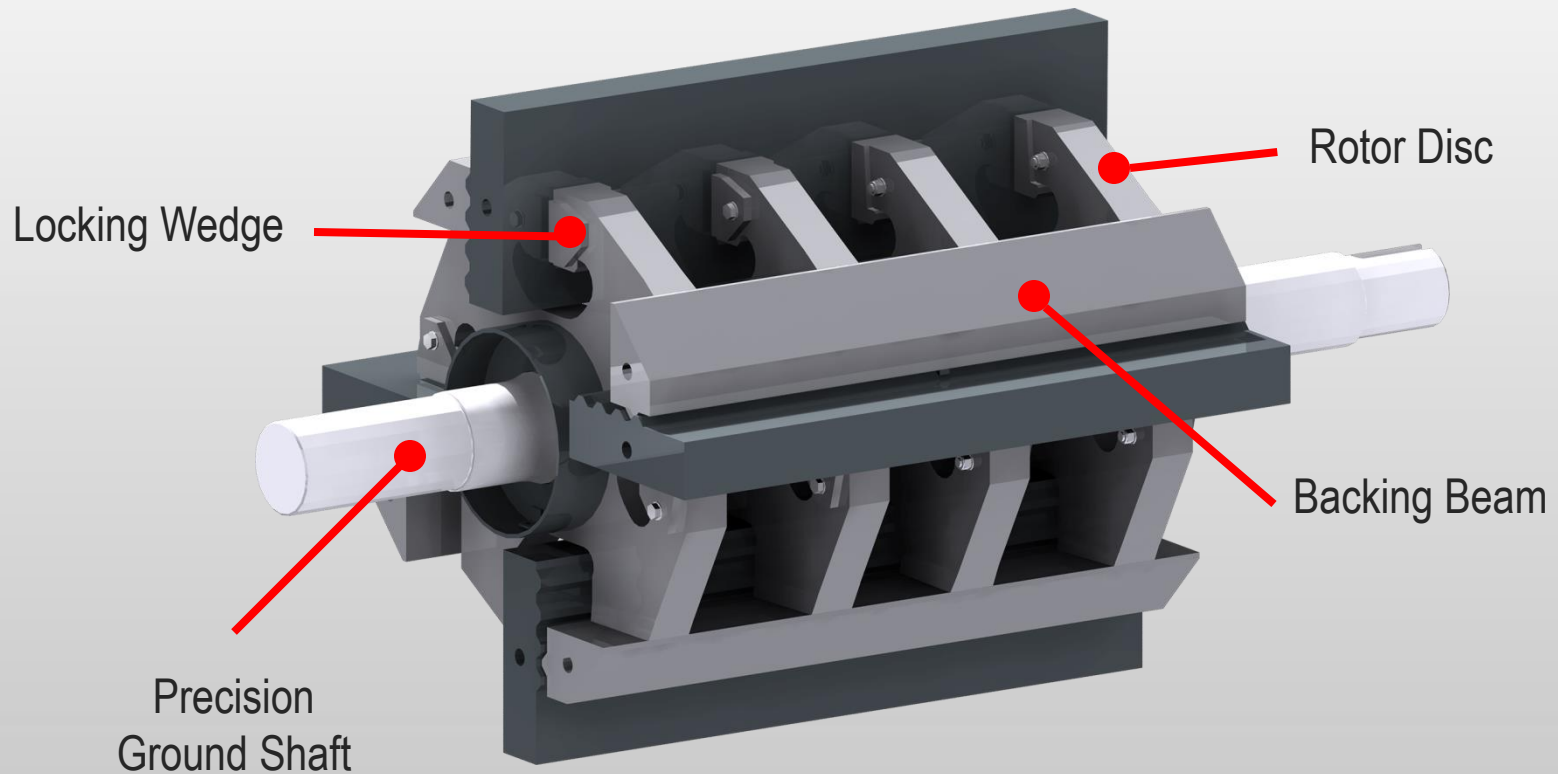


1300mm diameter x 1210mm (51" x 48")
wide impact crusher

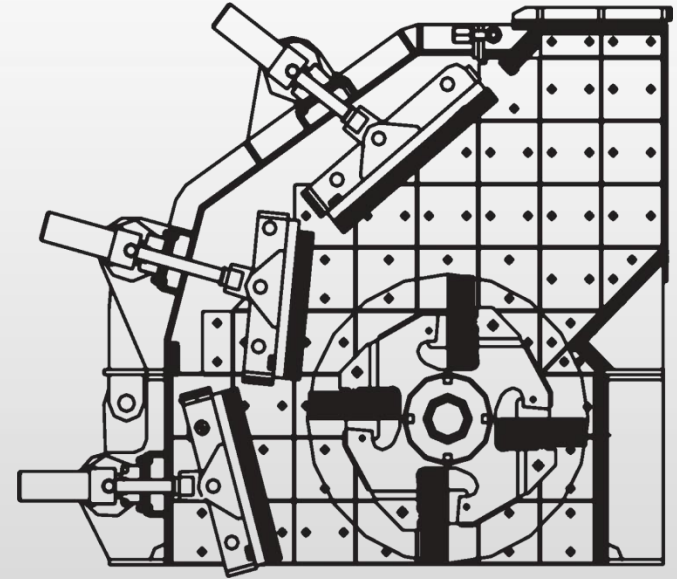
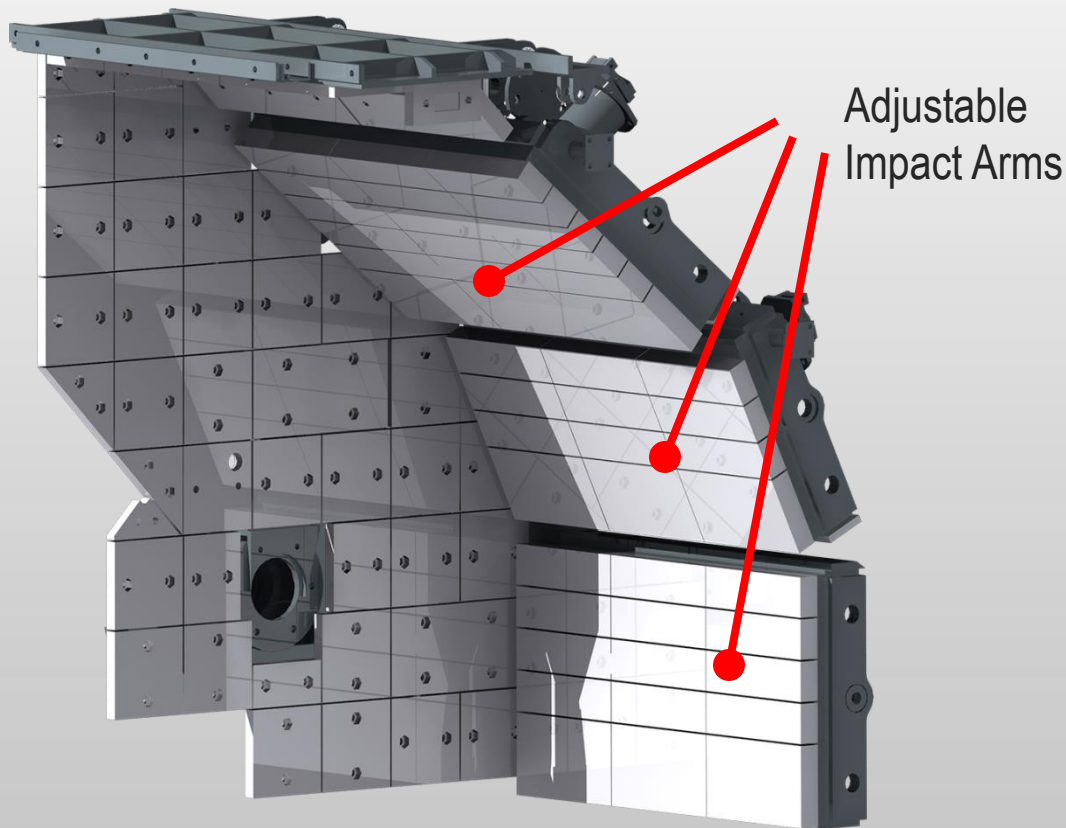
150-350 tph capacity

Maximum feed size 650mm (26")

Heavy Duty Rotor



Fully-hydraulic Impact Arms



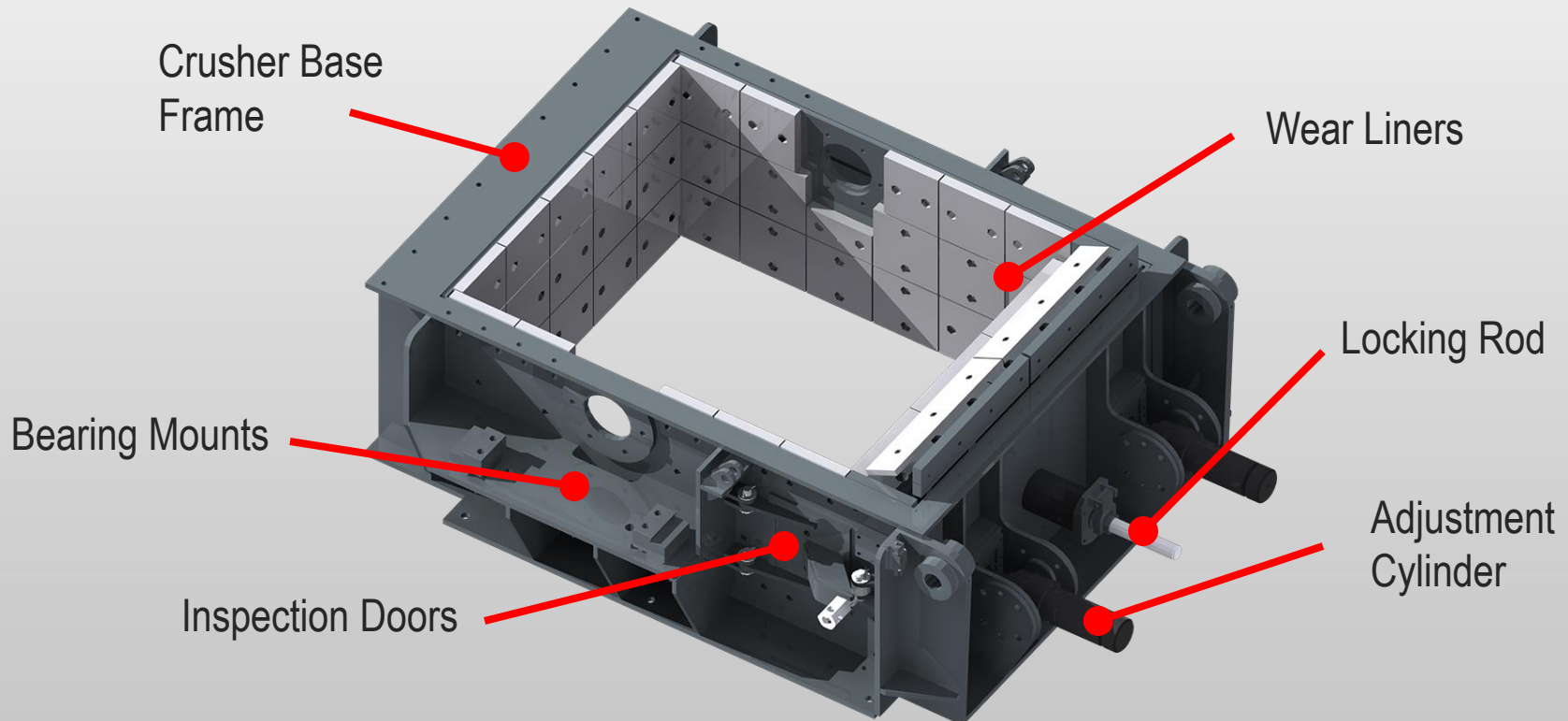
Interchangeable impact plates

Hydraulically adjustable gap settings
between impact arm and rotor

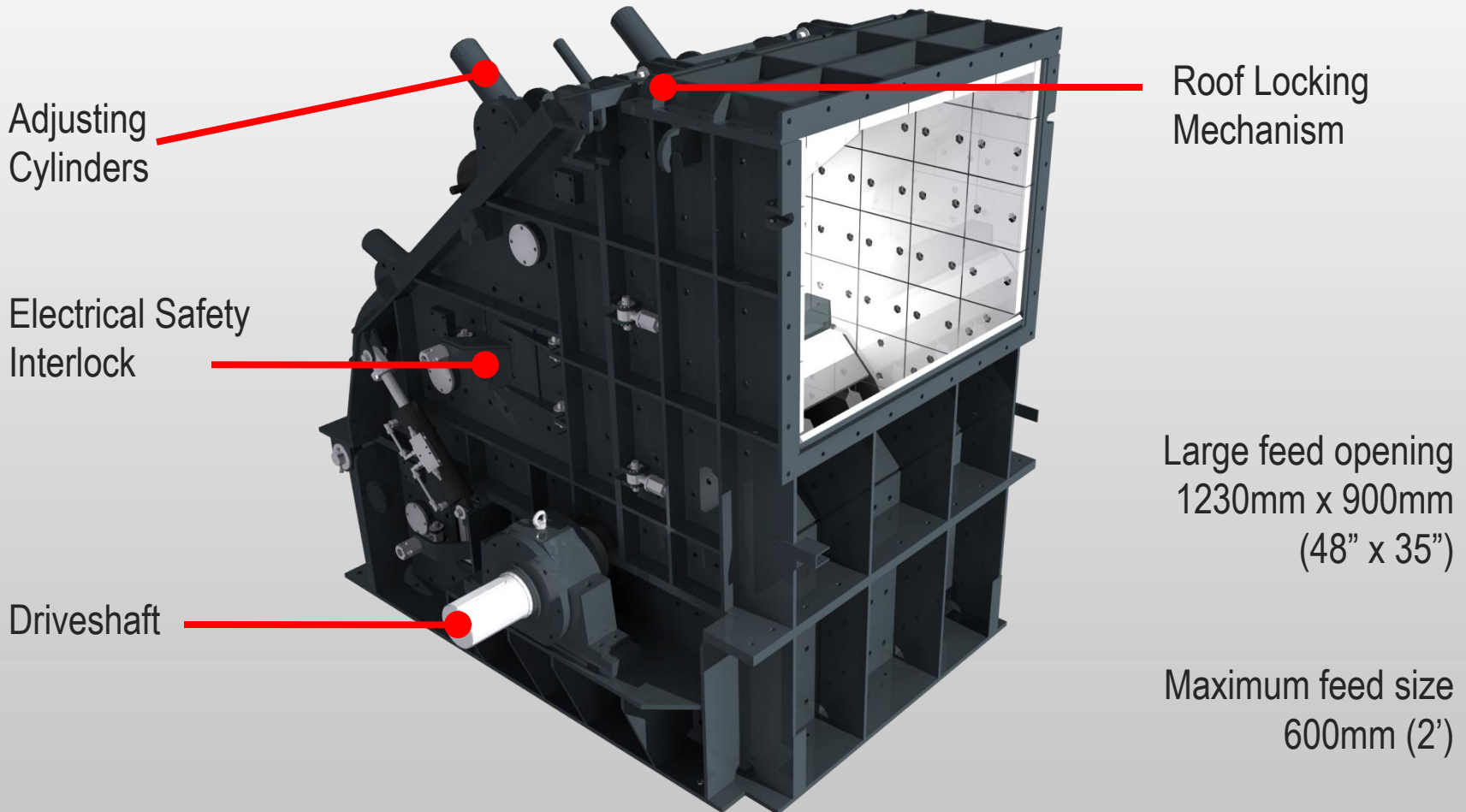
Overload protection system

Wear Liners

Wear liner plates are cast from wear resistant manganese and have been designed so more are interchangeable and turnable



Impact Crusher



Adjusting
Cylinders

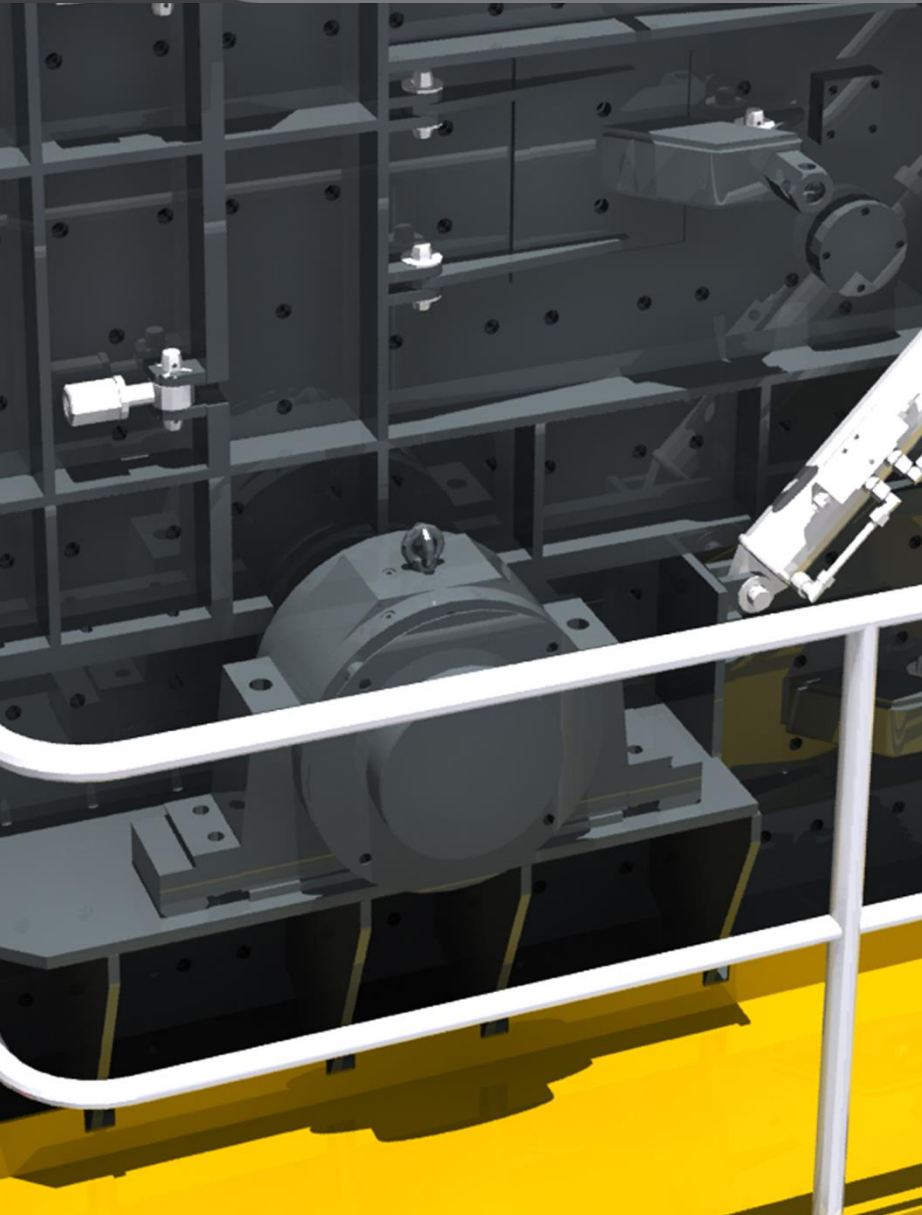
Electrical Safety
Interlock

Driveshaft

Roof Locking
Mechanism

Large feed opening
1230mm x 900mm
(48" x 35")

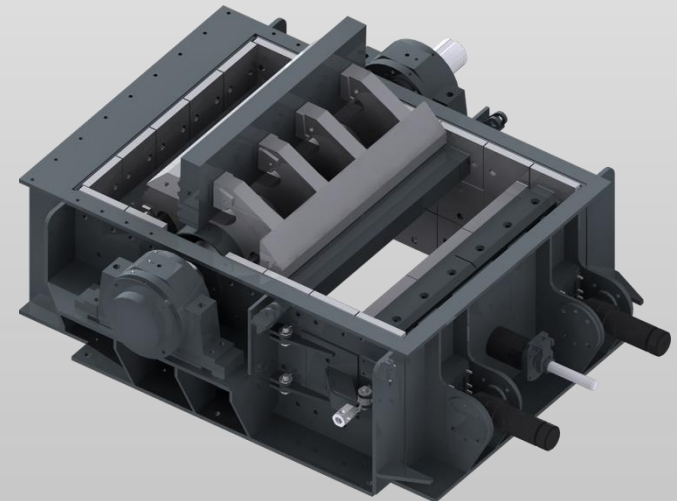
Maximum feed size
600mm (2')



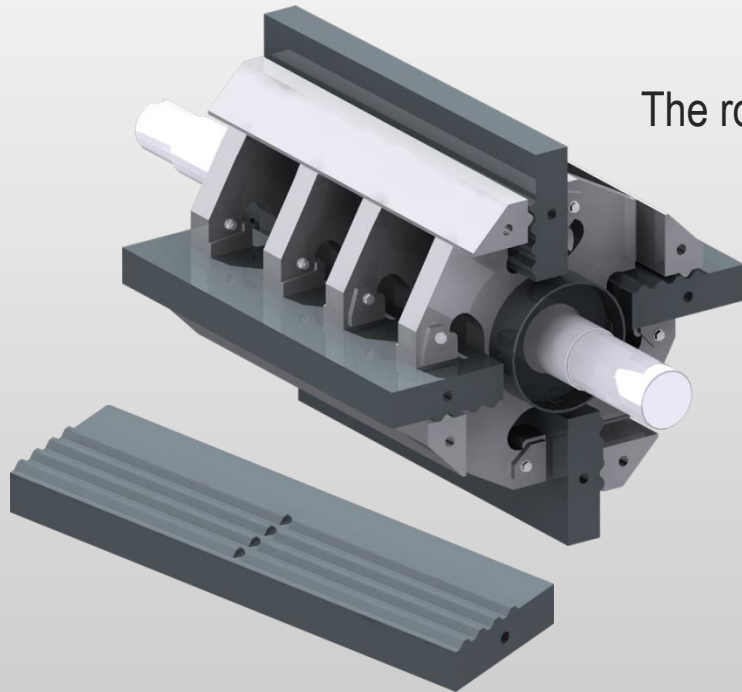
Impactor Bearings

The rotor is supported by bearings mounted in massive solid housings manufactured from steel blocks with self-purging labyrinth seals

Easy maintenance access



Heavy Duty Blow Bars



Four full size manganese blow bars

The rotor arms are equipped with 120mm (4.7") thick blow bars in Chrome Iron offering the highest wear resistance available

The blow bar thickness can be increased to suit larger feed sizes vital in recycling

Extended service life through a design that permits the bars to be lifted via the top as wear occurs

Maintenance is safer and more expedient than in other designs



Lifting cradle for blow bar

Impact Crusher Drive



Dedicated oil cooler for fluid coupling |

Quick easy belt tensioning |

Externally mounted and easily maintained |

Smooth start up, no belt slip |

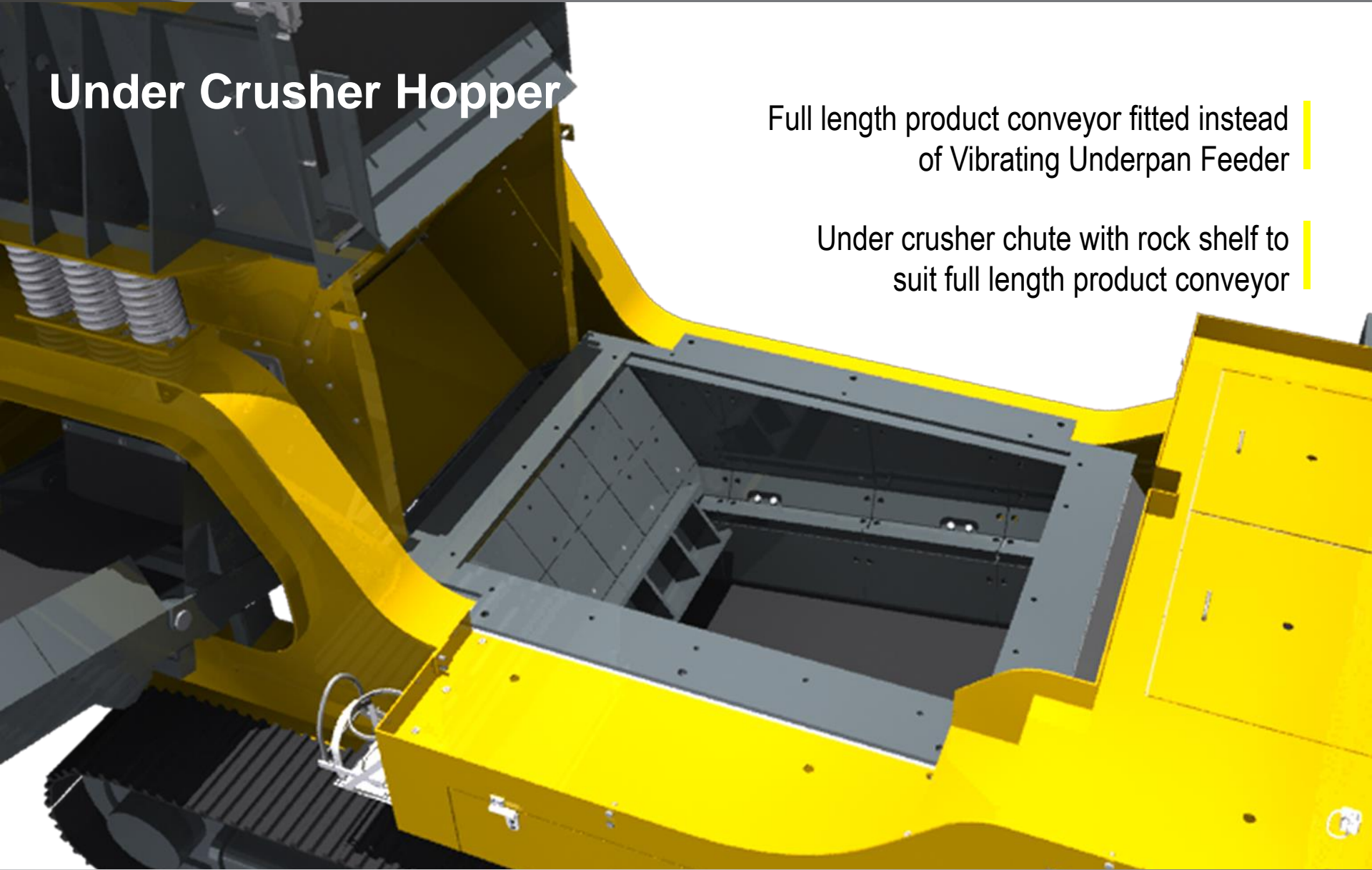
Shock & overload protection |

No friction linings creating longer life utilization |

Under Crusher Hopper

Full length product conveyor fitted instead of Vibrating Underpan Feeder

Under crusher chute with rock shelf to suit full length product conveyor



Forward Product Conveyor



Forward Product Conveyor

Heavy duty extra wide belt 1200mm (47") wide 4 ply troughed conveyor

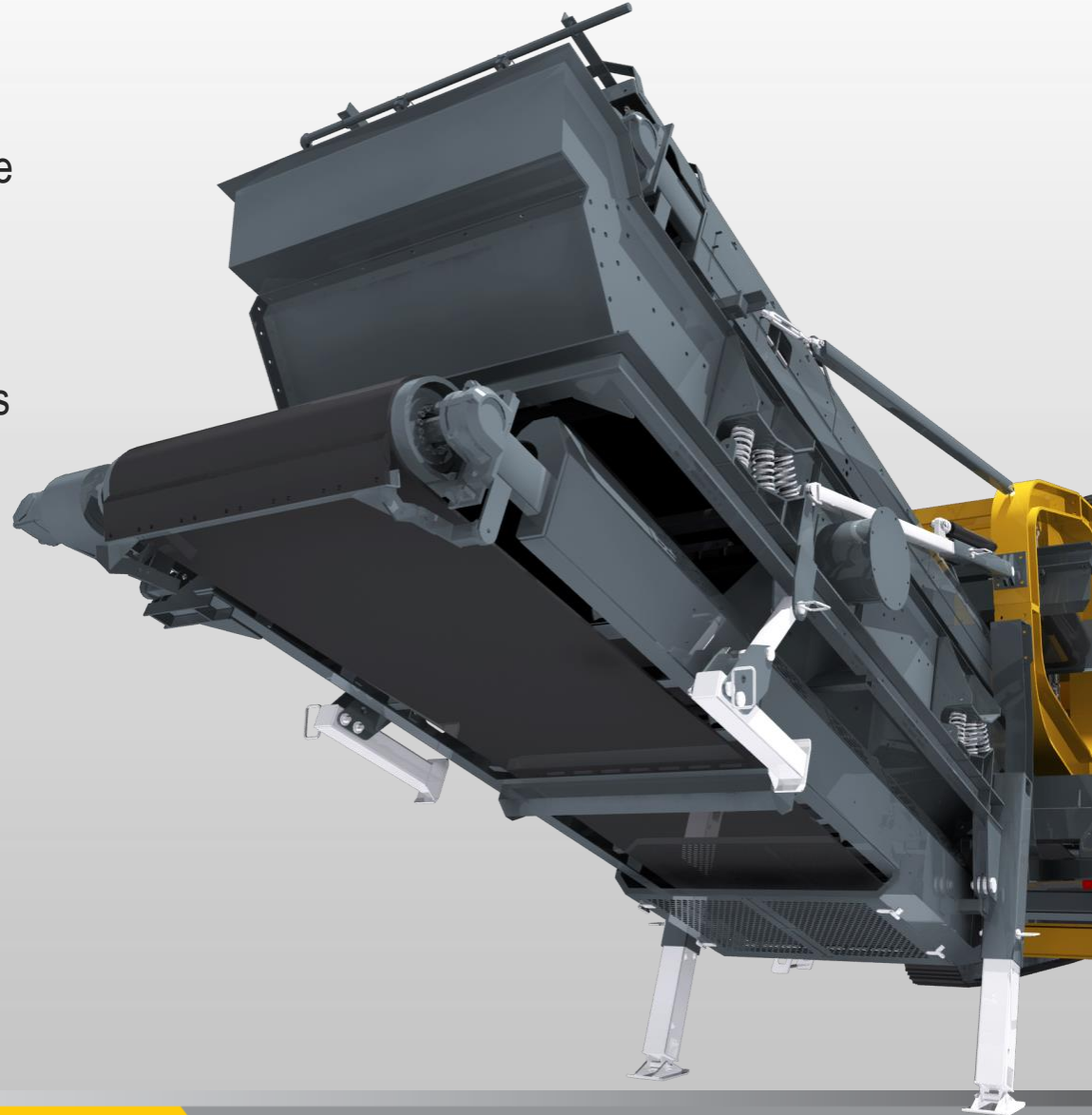
Fully skirted conveyor belt to reduce spillage with wear resistant steel liners for durability

Top transfer: 500mm (20") wide



Conveyor Guards

- | Quick release system for maintenance
- | CE Compliant
- | Safety against moving & rotating parts



Forward Product Conveyor

- Hydraulic drive at the head drum

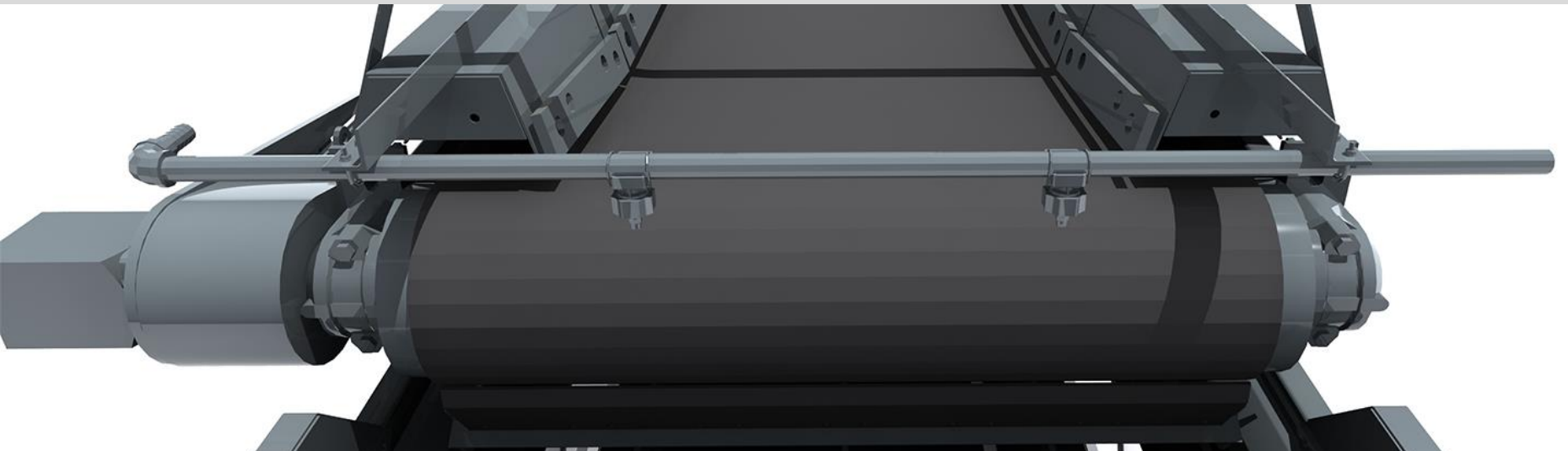
- Belt cleaner located after the discharge point to ensure that sticky material is removed preventing tracking issues

- Greasing lines to the head drum

- Self-aligning spherical roller bearings

- Lagged head drum to prevent belt slippage

- Fines product: 1200mm (47") wide



Central Greasing Point

- | Central greasing point
- | Robust, durable greasing lines, not plastic
- | Located at ground level
- | Saves on maintenance time



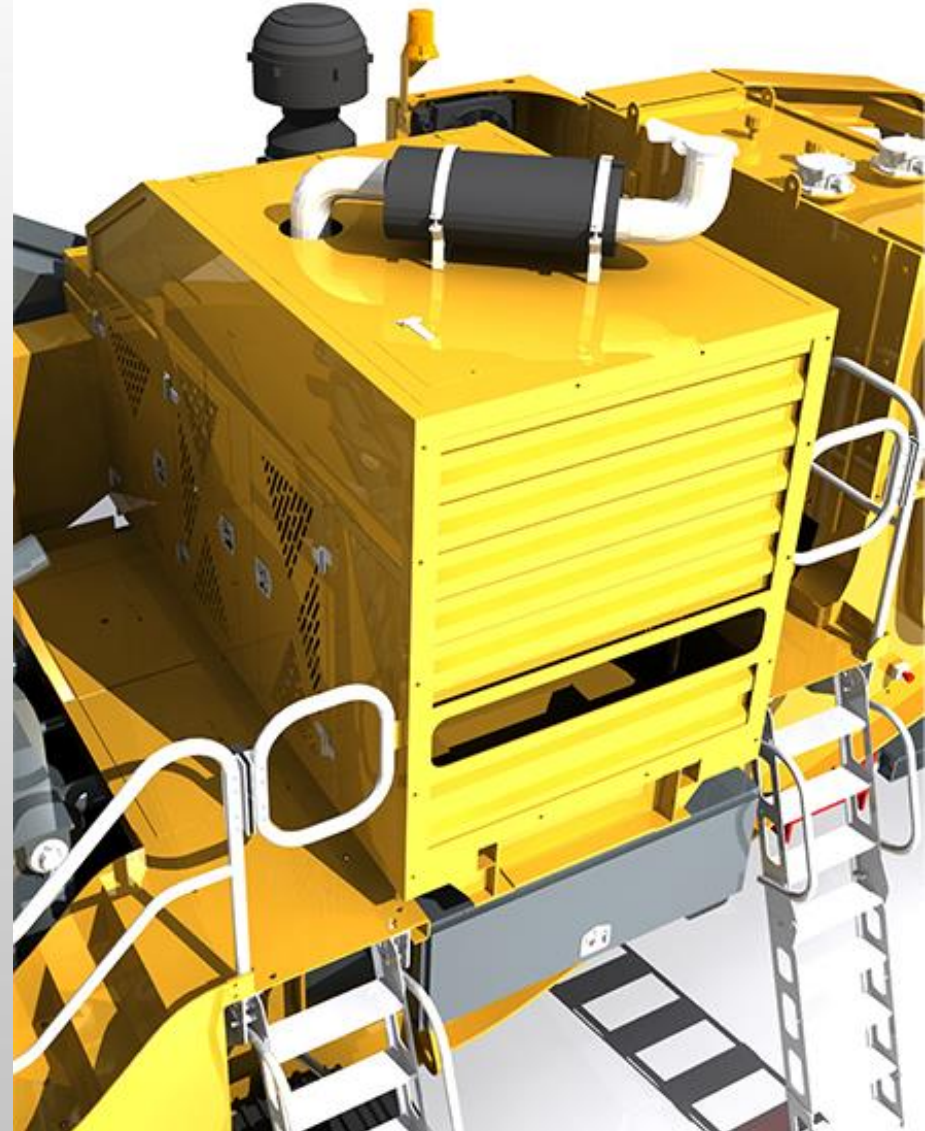
Dust Suppression

- Environmentally friendly on-board solution to dust control from the impact crusher
- Dust Suppression sprays and manifold
- Dust Suppression in two isolated locations
 - 1) Impact crusher discharge chute
 - 2) At the top of the product conveyor



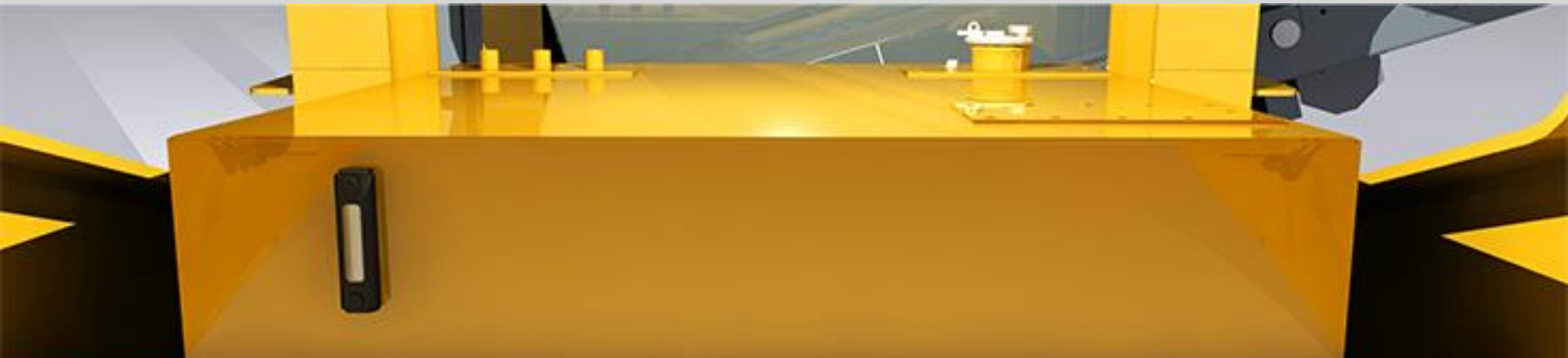
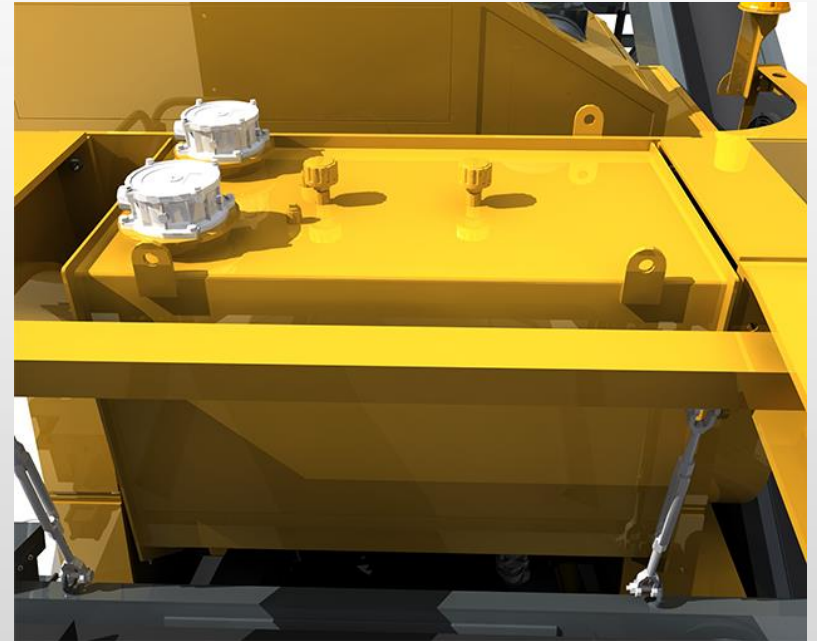
Power Pack

- Powered by a CATERPILLAR® C13 ACERT Tier 3 engine rated (315kW)
- Engine complies with all current emission laws
- Hot climate oils (Recommended for ambient temperatures between +15°C to +50°C)
- Easy access for maintenance via 3 panel doors and generous working platforms
- Easy to maintain, reliable and efficient
- Load sensing hydraulic pumps to maximise fuel efficiency



Fuel & Hydraulic Tank

- | 840 litre (185 gal) standard capacity fuel tank
- | 600 litre (132 gal) standard capacity hydraulic tank
- | Hydraulic oil filtration system and air filter



Hydraulic Components

Easy access to hydraulic components for maintenance

Simple ON/OFF hydraulic blocks

Double hydraulic coolers

The hydraulic system powers:

Crusher

Tracks

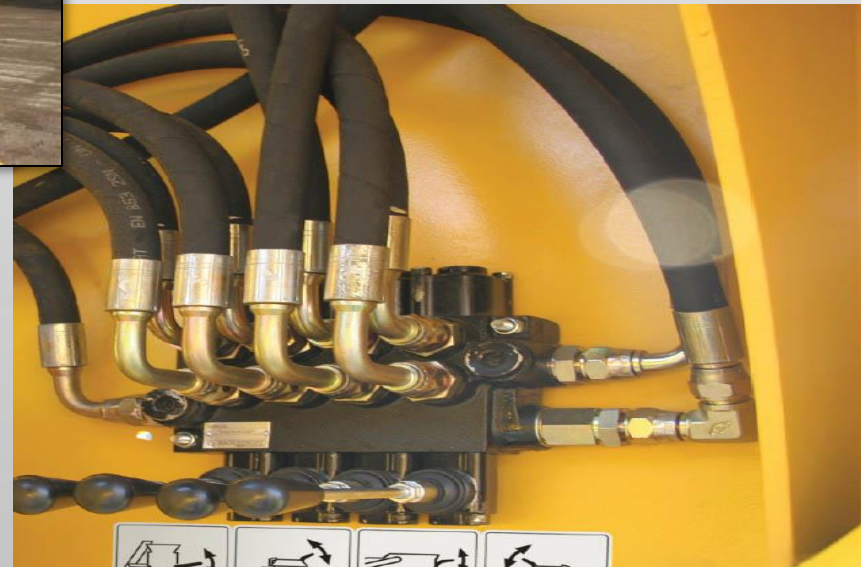
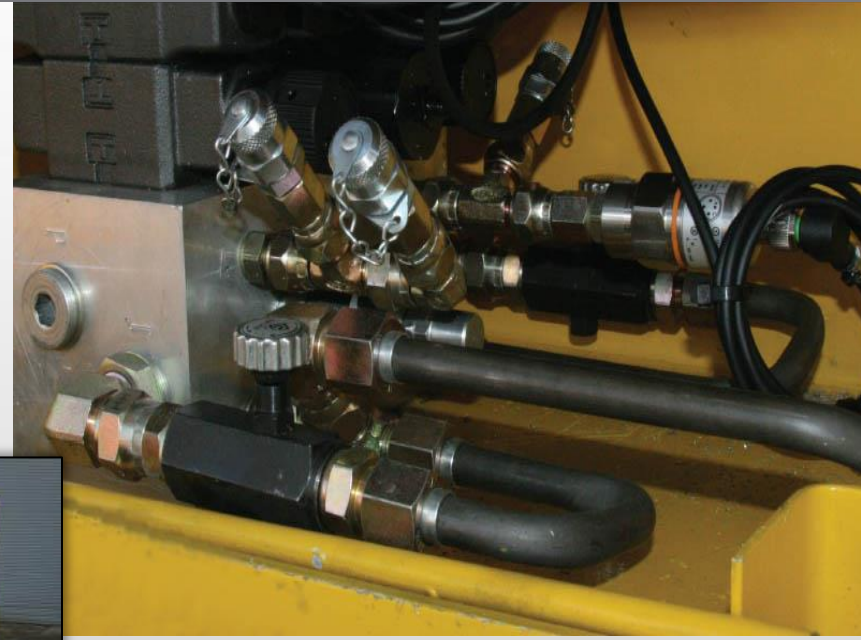
The hopper wings and securing pins

Forward & side conveyors

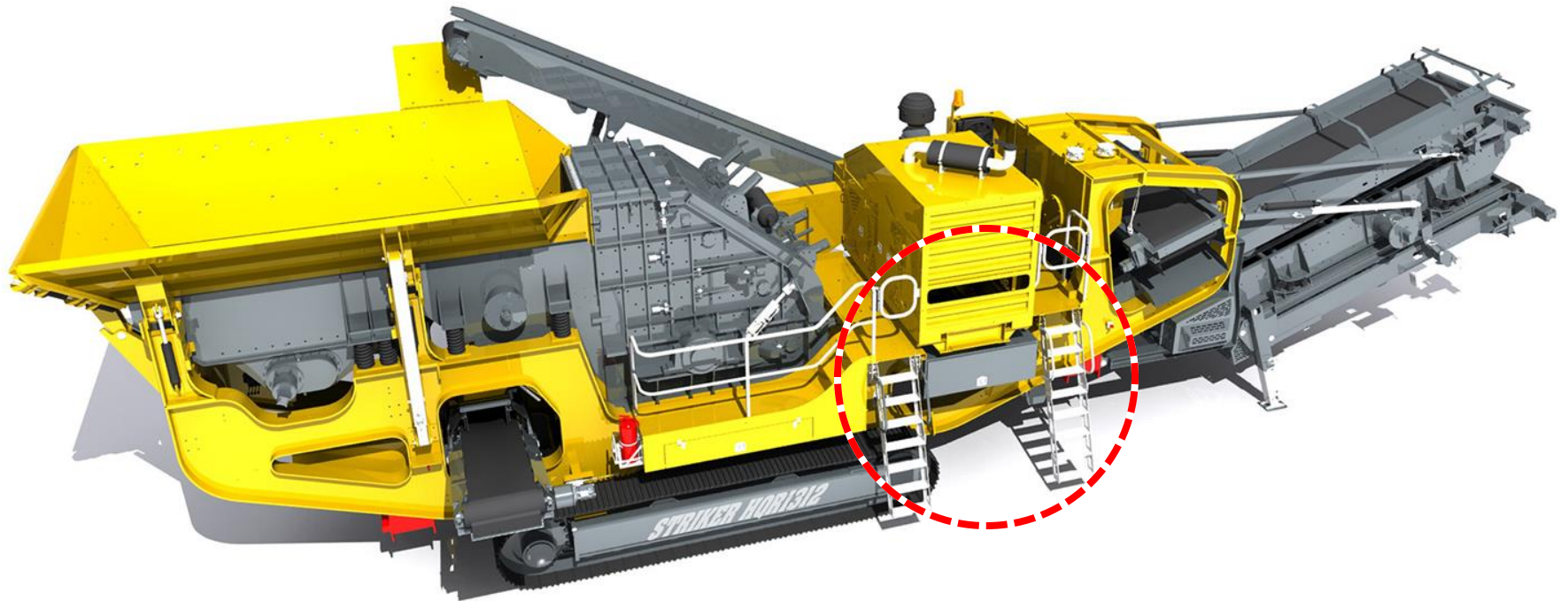
Vibrating Grizzly Feeder

Optional screen & recirculation conveyor

Forward support legs



Controls



Controls

- Simple user friendly screen
- Ability to change the displayed language
English, Mandarin, Bahasa, Afrikaans in
the HMI settings
- Clearly marked diagrammatic display



Ability to switch between metric and standard imperial units of measurement

Rugged CAN based modular I/O

Low voltage 24v system

Sealed IP54 cabinets to prevent the ingress of dust & water

Remote Control Unit

- | Battery level indicator (on the display)
- | Signal strength indicator (on the display)
- | Proportional control of the tracks
- | Steer mode
- | Tramming mode
- | Feeder ON/OFF and speed control
- | Charging via a cigarette lighter plug 12/24vdc
- | A charging/storage dock mounted on the machine so it's always on hand and full charged
- | Radio remote control unit
- | Striker optimax engine and feeder controller



Battery Maintenance Access

Service access to the batteries

Location for isolation during maintenance and welding on plant:

Two Isolator available:

- 1) Battery isolator
- 2) Starter motor isolator for testing controls & electrical system with the engine isolated



Manual Hydraulic Controls

Clearly marked manual hydraulic levers power the following and are easy to operate and allow for quick set-up of the plant:

Hopper sides

Hopper securing pins

Side discharge Conveyor

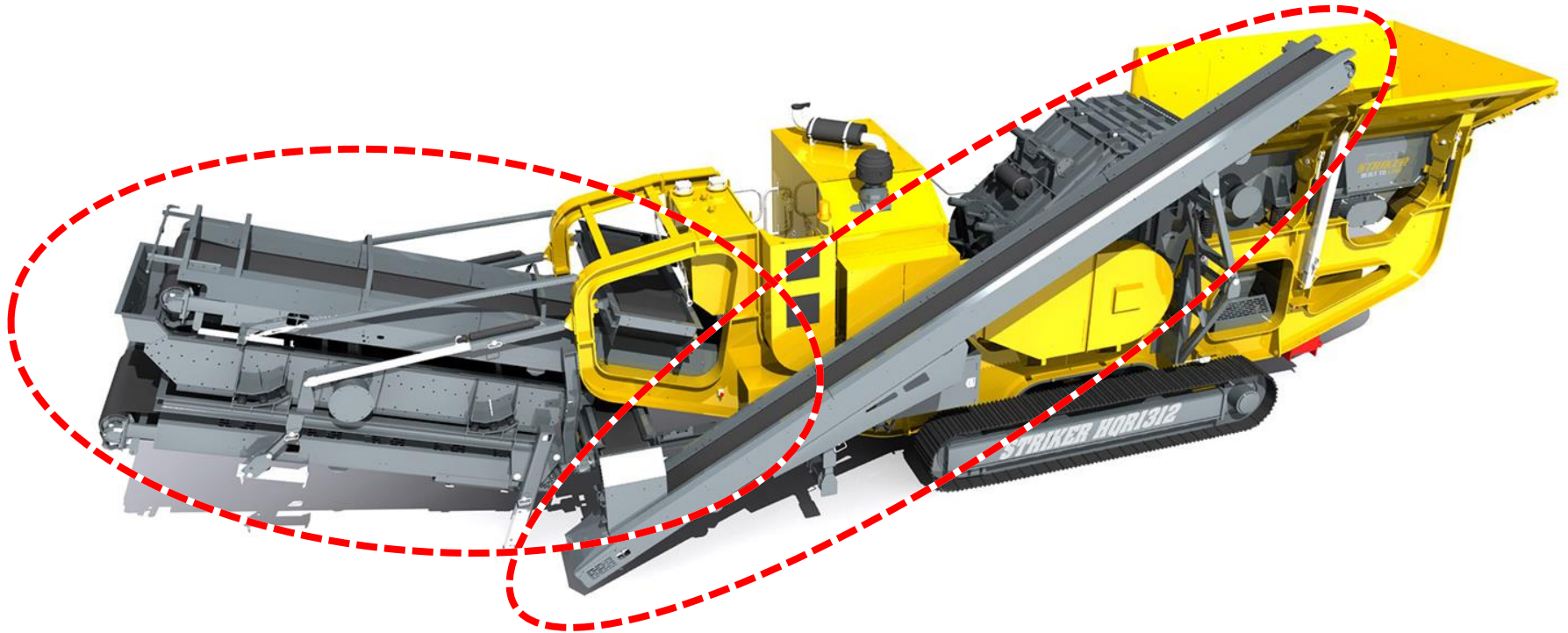
Screen

Recirculation conveyor

Forward support legs



Screen & Recirculation Conveyor



Screen & Recirculation Conveyor

Hydraulic operated single deck vibrating screen 1525mm x 4270mm (5ft x 14ft)

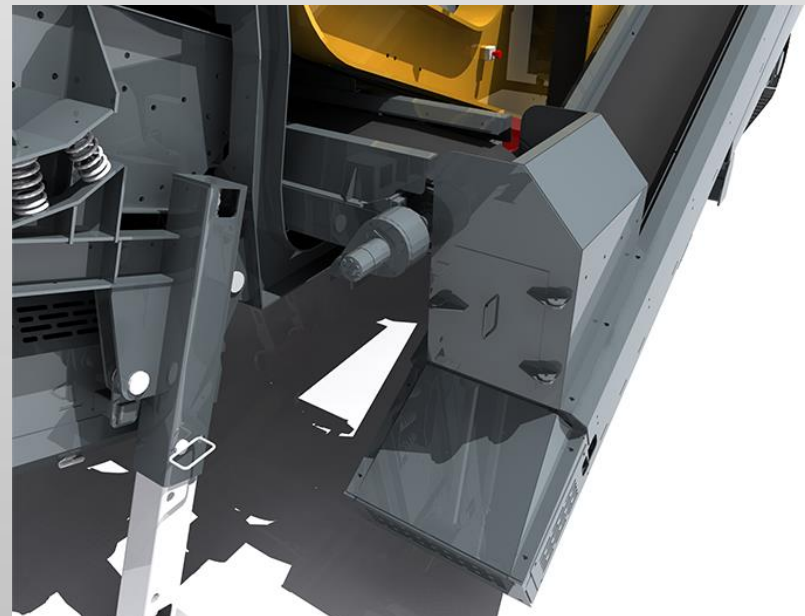
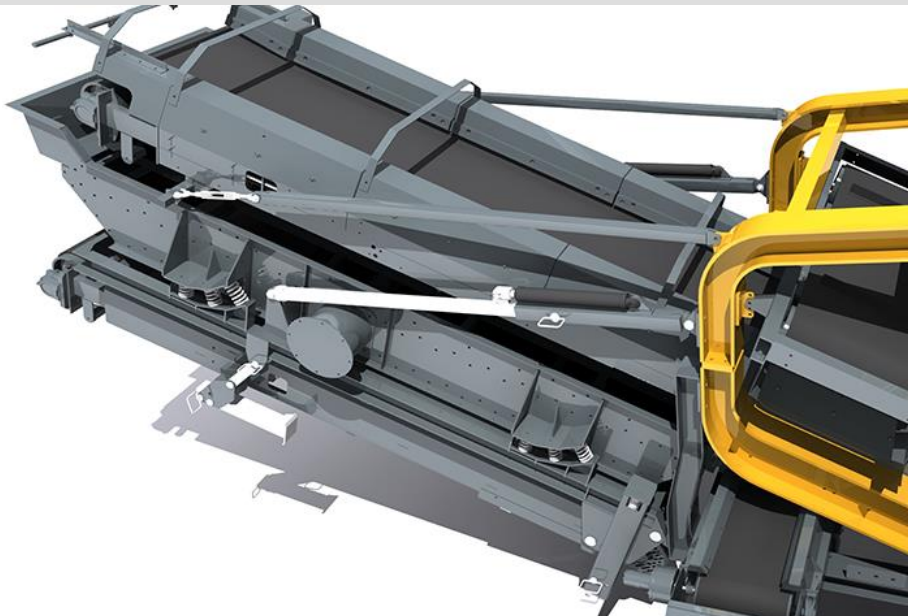
Hydraulic tilting oversize recirculation conveyor that stows for transport

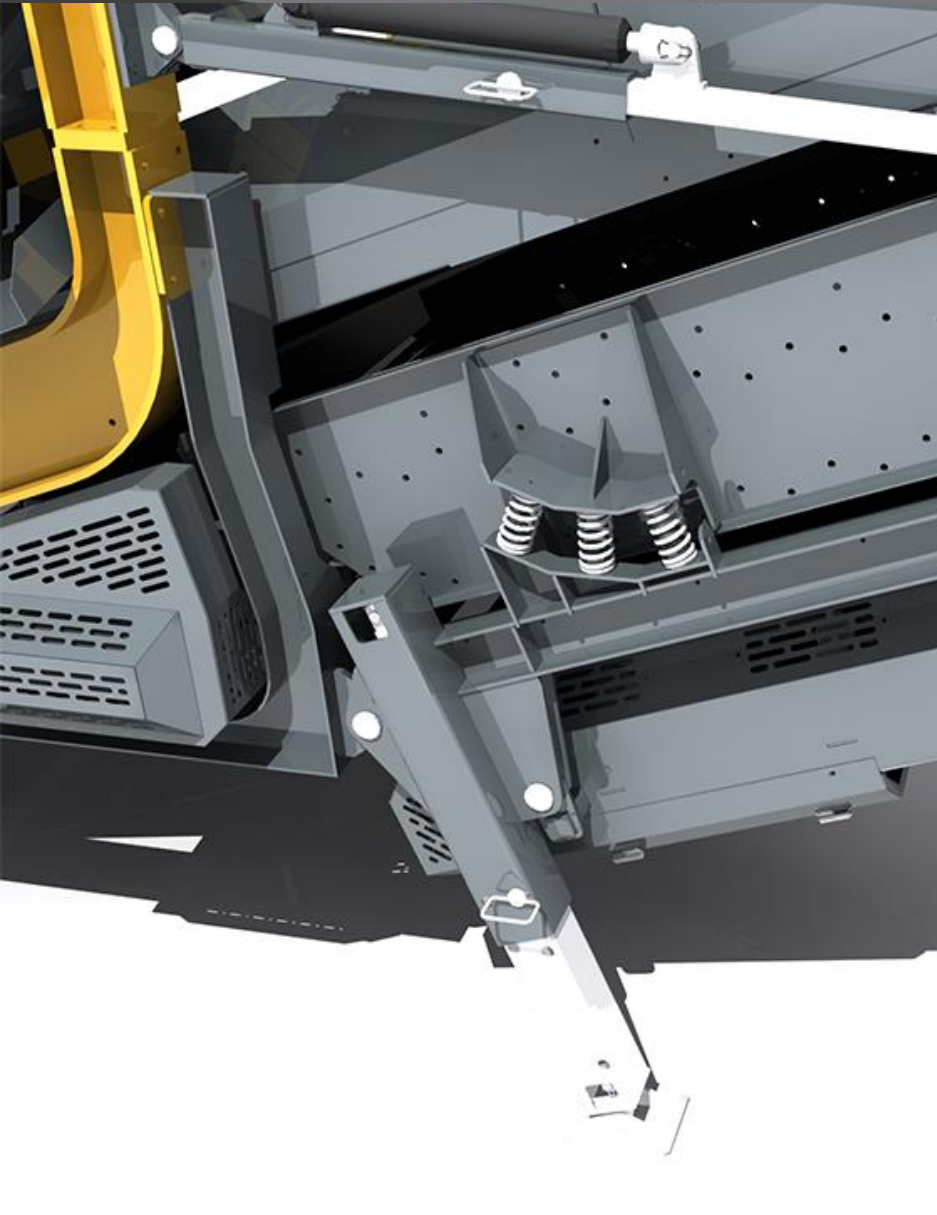
Top Deck Aperture Mesh – Max size 45mm (1.8”) standard. Please specify size.

Added ability to produce a graded product

Negates the need for a separate screen

Fixed position Recirculating Conveyor: 500mm (20”) wide





Forward Support Legs

Hydraulically controlled raising and lowering support legs for operational stability

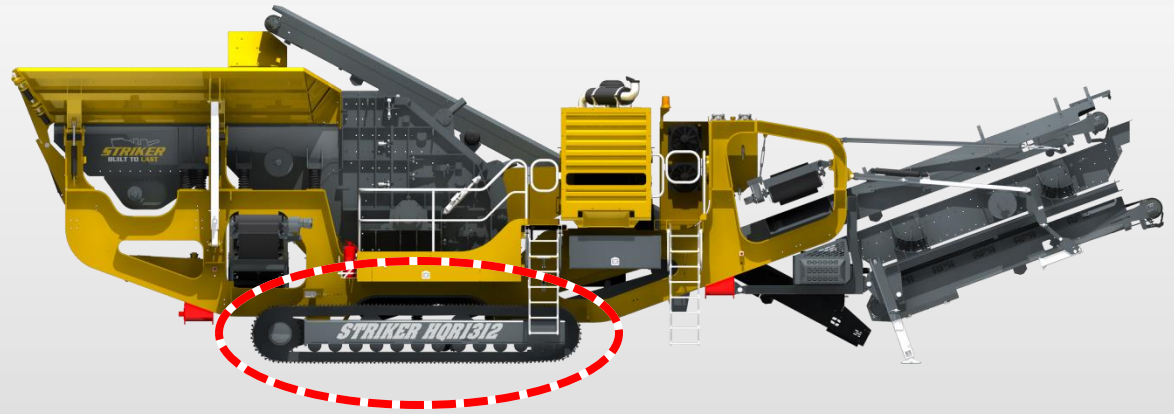
Manual control lever for operation

Tracks

Hydraulically driven
crawler tracks

Track centres 4085mm (13'5")

Track shoe width 500mm (1'8")

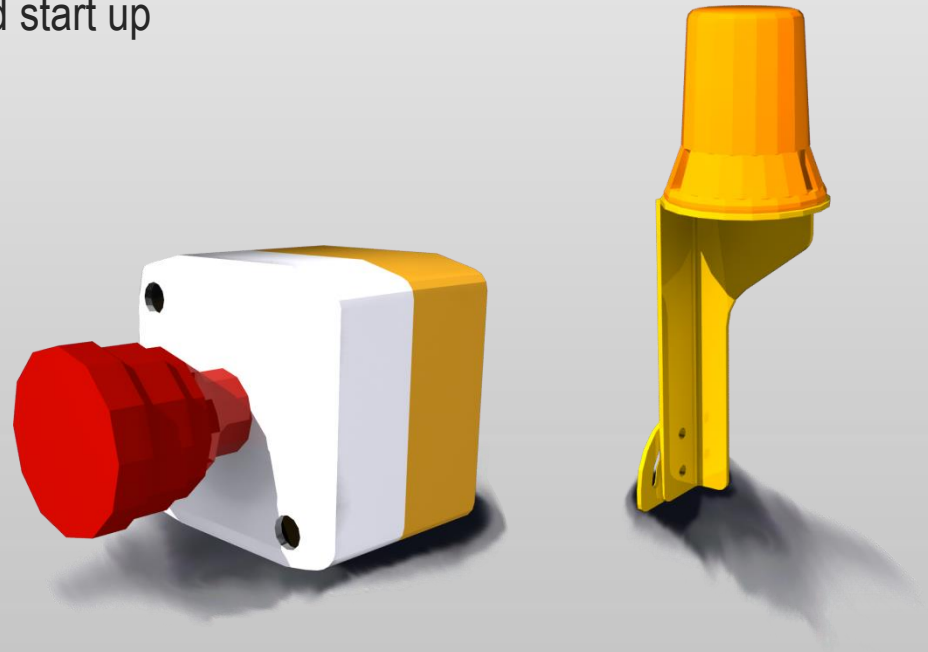


Options

- | Wear resistant steel hopper liners
- | Feed hopper extension wings
- | Centralised lubrication system
- | Product conveyor dust covers
- | Impactor high speed conversion
- | Hydraulic water pump
- | Overband magnet
- | Side discharge conveyor
- | Pan feeder under crusher
- | Arctic package for operating conditions – 20 ° C
- | Desert package for operating conditions + 50 ° C
- | Plant lighting tower
- | 3 meter air extension kit for engine air cleaner
- | Paint

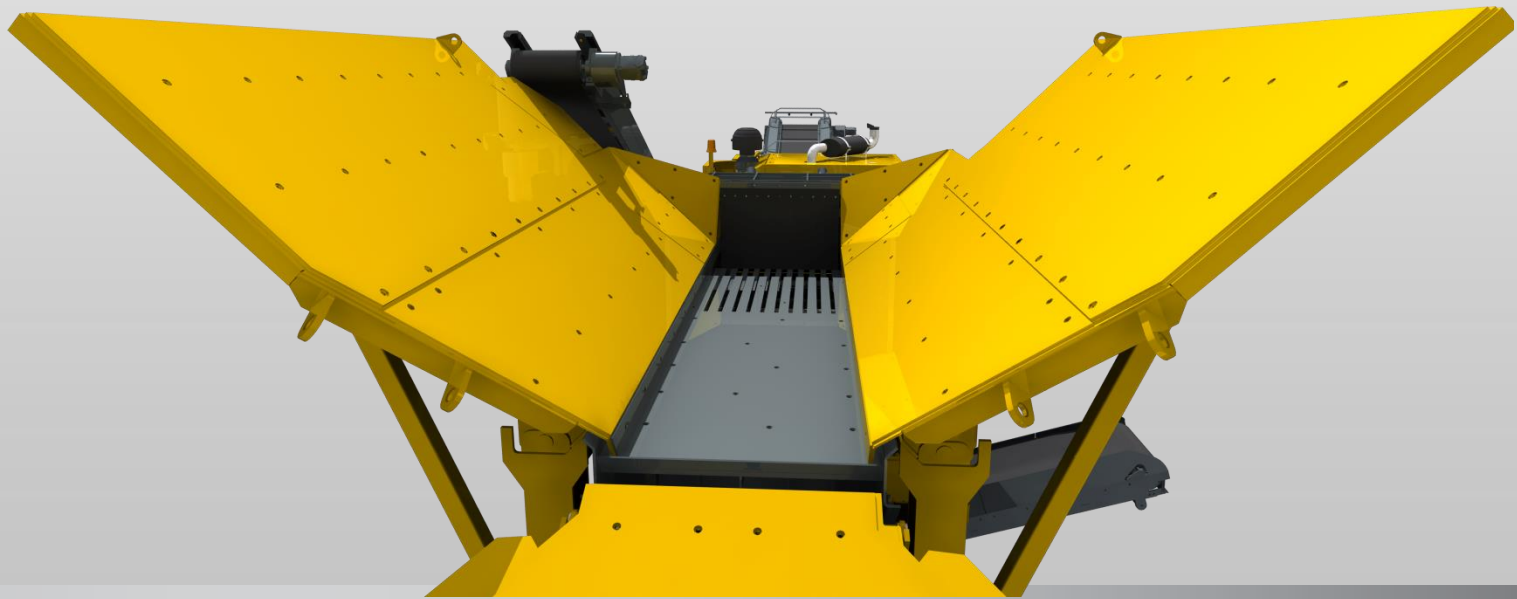
Machine Safety Aspects

- | Nip Point guarding
- | Central located greasing
- | Engine start delay and siren
- | Warning siren to alert the machine tracking and start up
- | Engine emergency stops



Feed Hopper Extension Wings (Option)

- | Heavy duty wear resistant steel feed hopper construction
- | Hydraulically operated folding side and rear wings
- | Reinforced box section webs
- | Rapid set up time



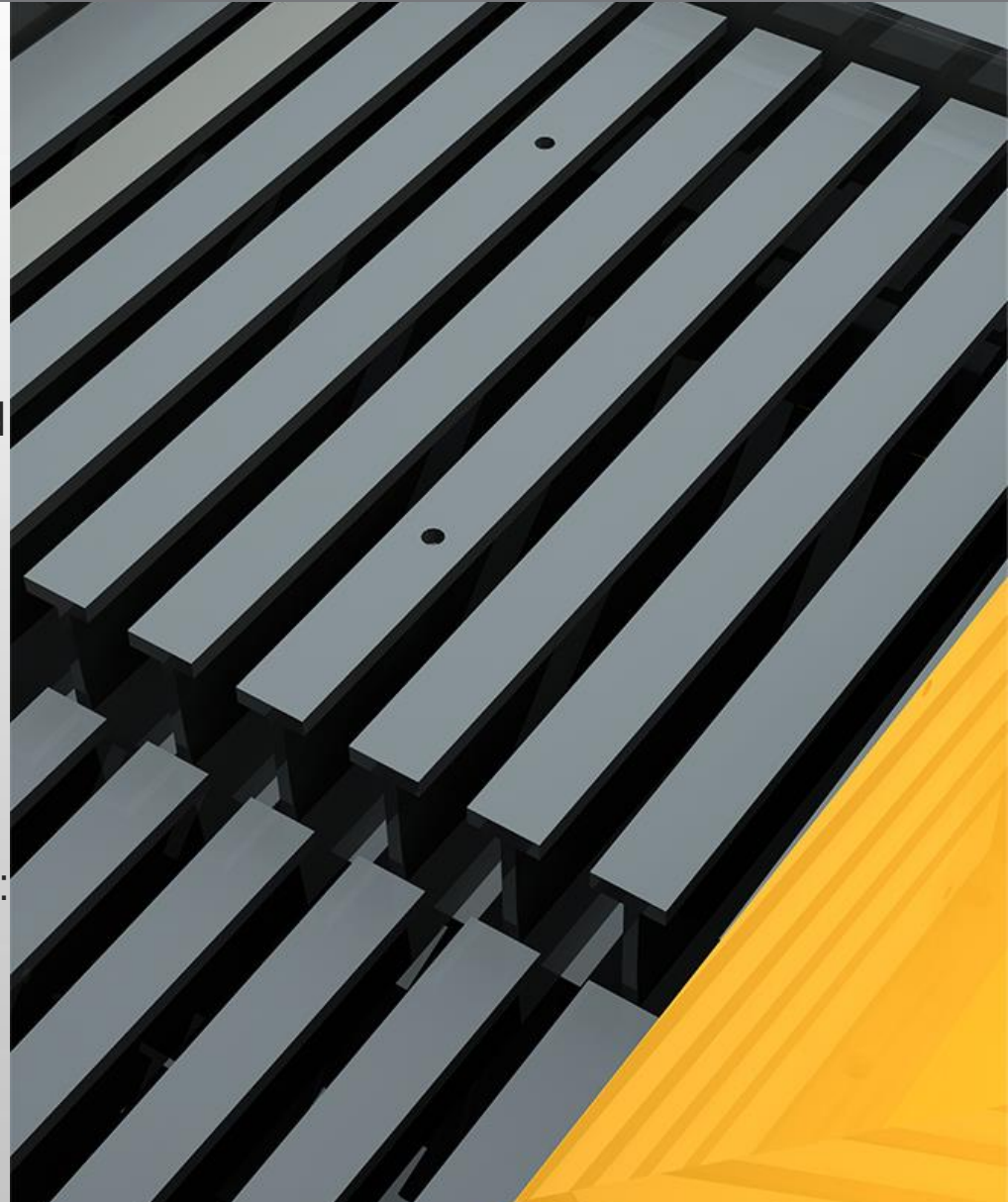
Grizzly Feeder (Option)

Grizzly cartridges with 60mm (2.4") nominal spacing

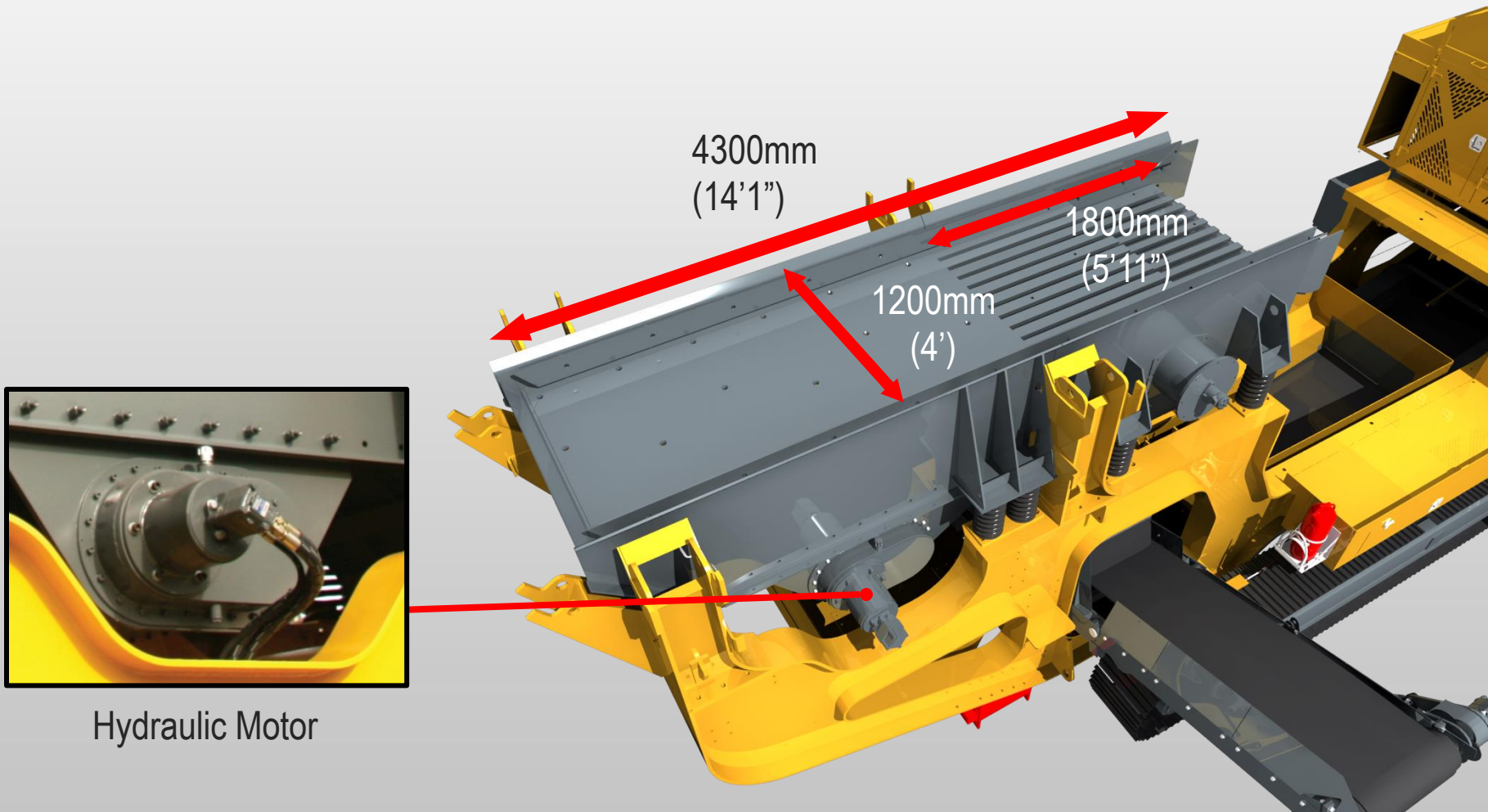
2 deck live Pre-screen c/w Pan Feeder instead of Vibrating Grizzly Feeder, Hydraulic folding feed hopper sides and rear hydraulic locking mechanism

Top deck mesh cartridges: Please Specify Mesh Size:

Wire mesh for Pre-screen (Please specify size: 10, 20, 30, 40, 50mm)

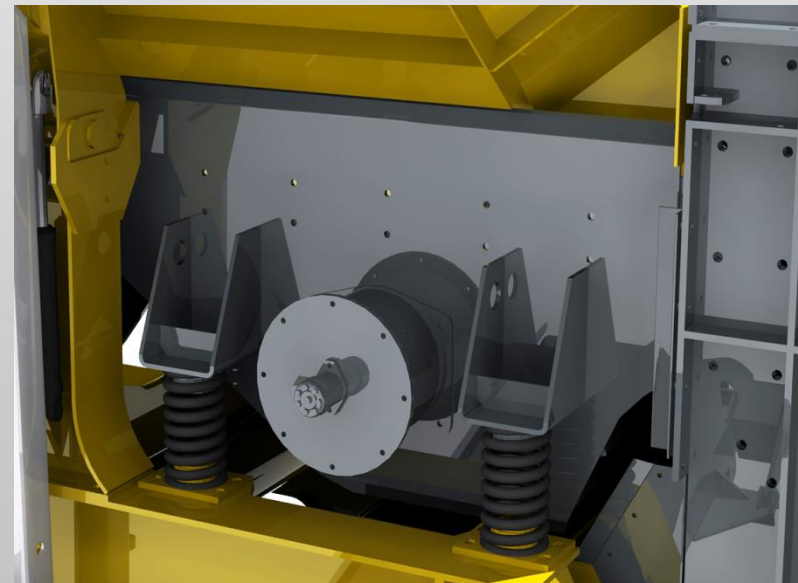


Independent Grizzly (Option)



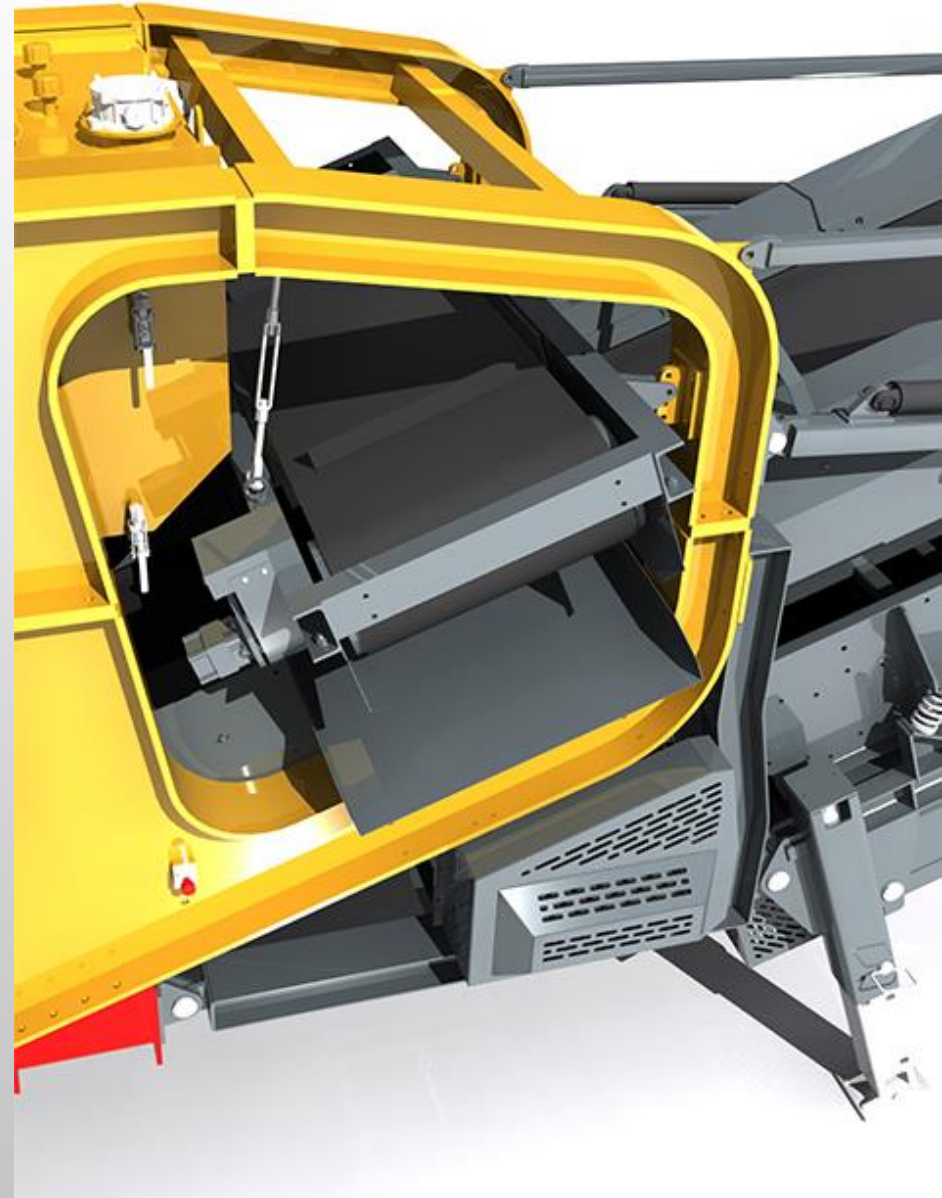
Independent Grizzly (Option)

- Independent vibrating double-deck pre screen ensures effective screening of fines for optimal final grain quality
- Reduction of wear in the crusher area by diverting the medium grain directly to the discharge chute
- Simple and safe replacement of screen mesh in upper and lower deck
- Reduction of bridging due to leveling of the feed material before the crusher
- Comfortable discharge height of side discharge conveyor avoids damage by wheel loader



Overband Magnet (Option)

- Designed to separate any steel material from the crushed rock or demolition waste
- Variable belt speed
- The magnet is height adjustable and can be lowered or raised to suit any application
- Magnet preparation c/w hosing, shedder plate and mounting bracket
- Single Pole Magnet c/w hosing, shedder plate and mounting bracket
- Twin Pole Magnet c/w hosing, shedder plate and mounting bracket



Side Discharge Conveyor (Option)



Hydraulically folding side discharge conveyor

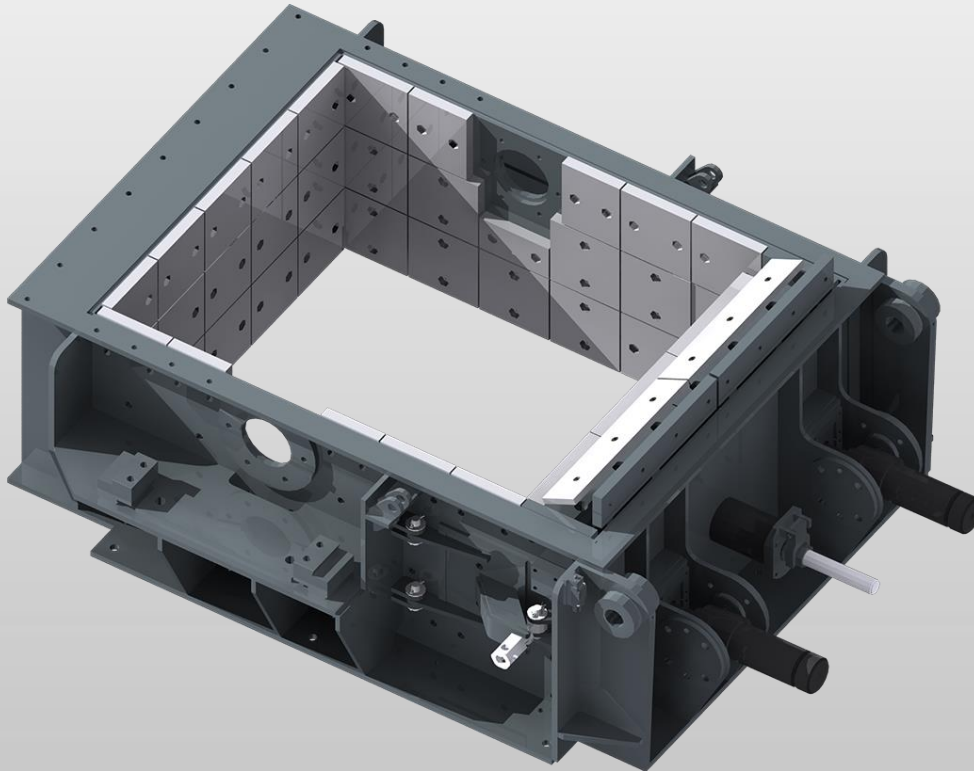
The by pass chute transfers removal of fines on to the side discharge conveyor

2.1m (83") discharge height, can be extend to 3.6m (142") discharge height as optional

600mm (24") wide belt

Folds in uniquely under the hydraulically folding side hopper when in transportation

Wear Liners (Option)

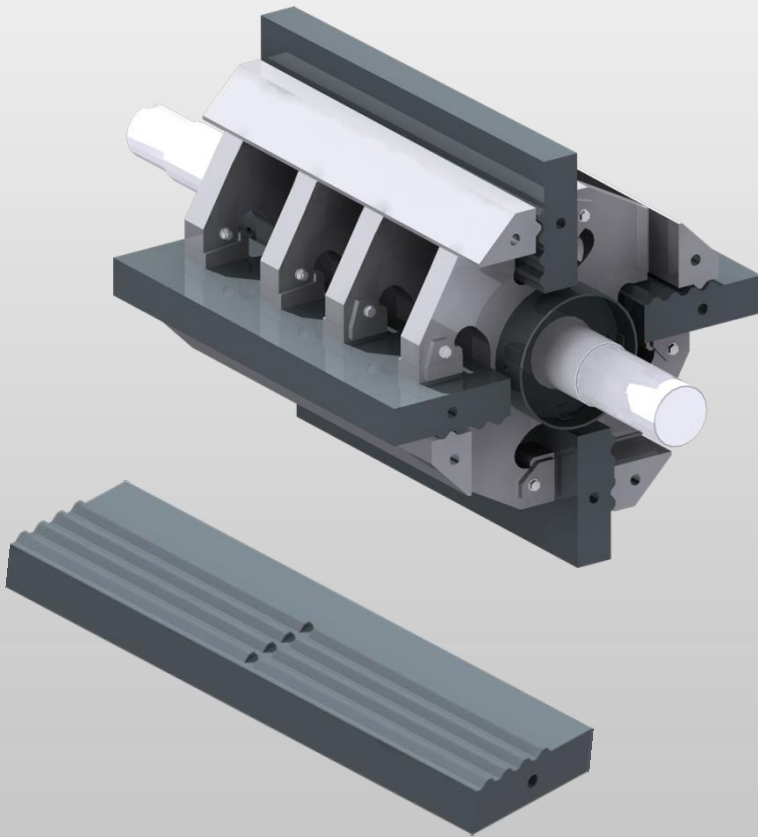


Chrome body liners

Hardox body liners

Chrome impact plates

Heavy Duty Blow Bars (Option)



Two full size chrome and two half size bars

Four full size chrome blow bar

Crane for blow bar change

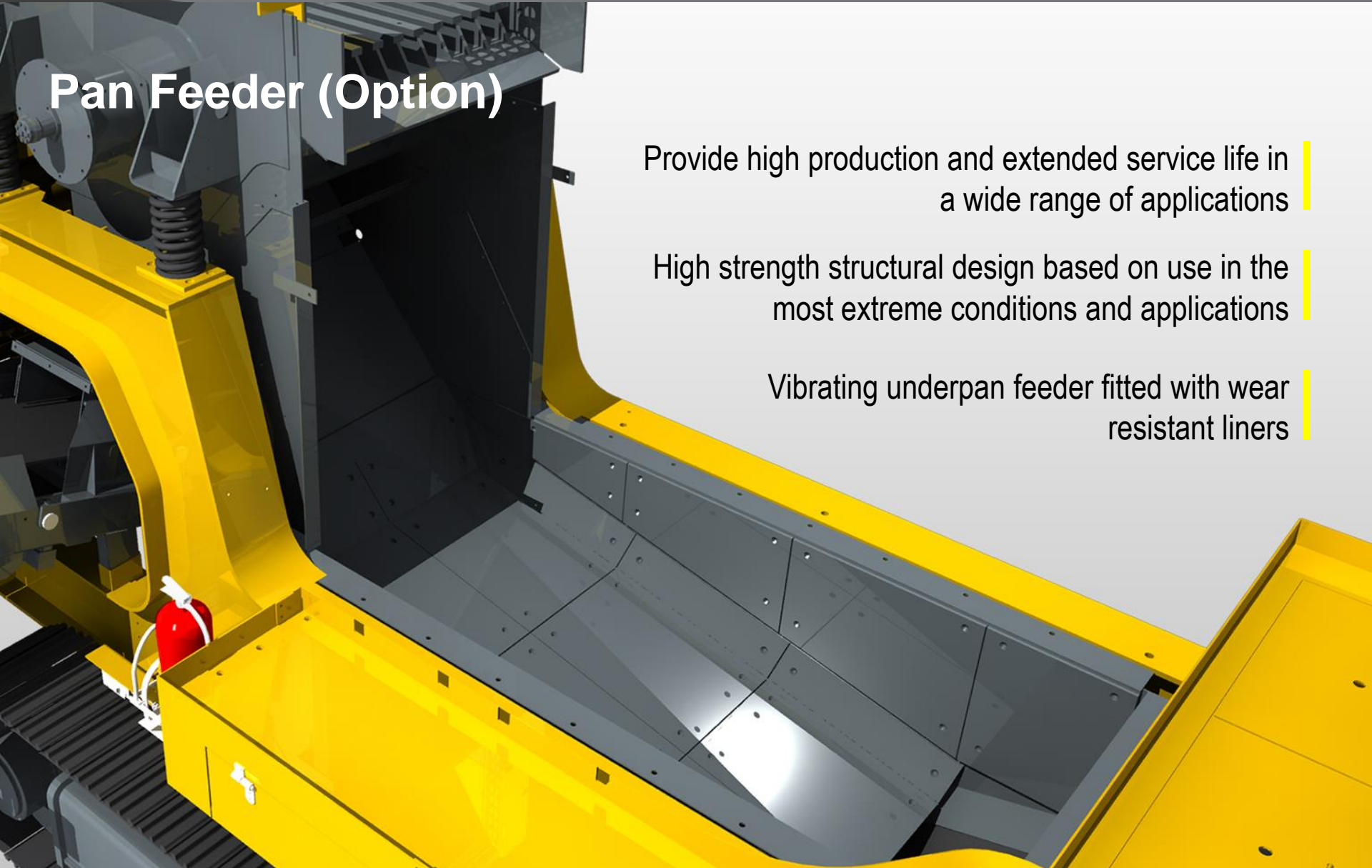
Roof raiser on impactor

Pan Feeder (Option)

Provide high production and extended service life in a wide range of applications

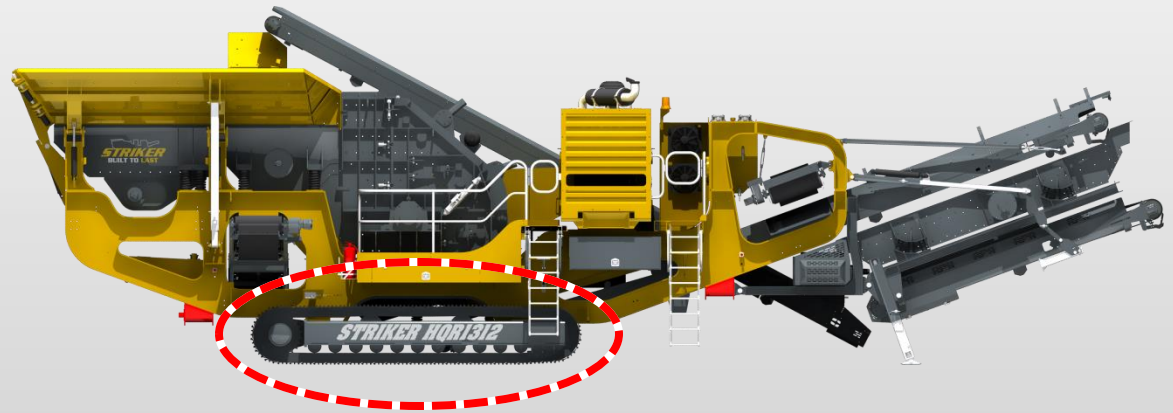
High strength structural design based on use in the most extreme conditions and applications

Vibrating underpan feeder fitted with wear resistant liners



Tracks (Option)

Lift and widen machine track kit for extra ground clearance



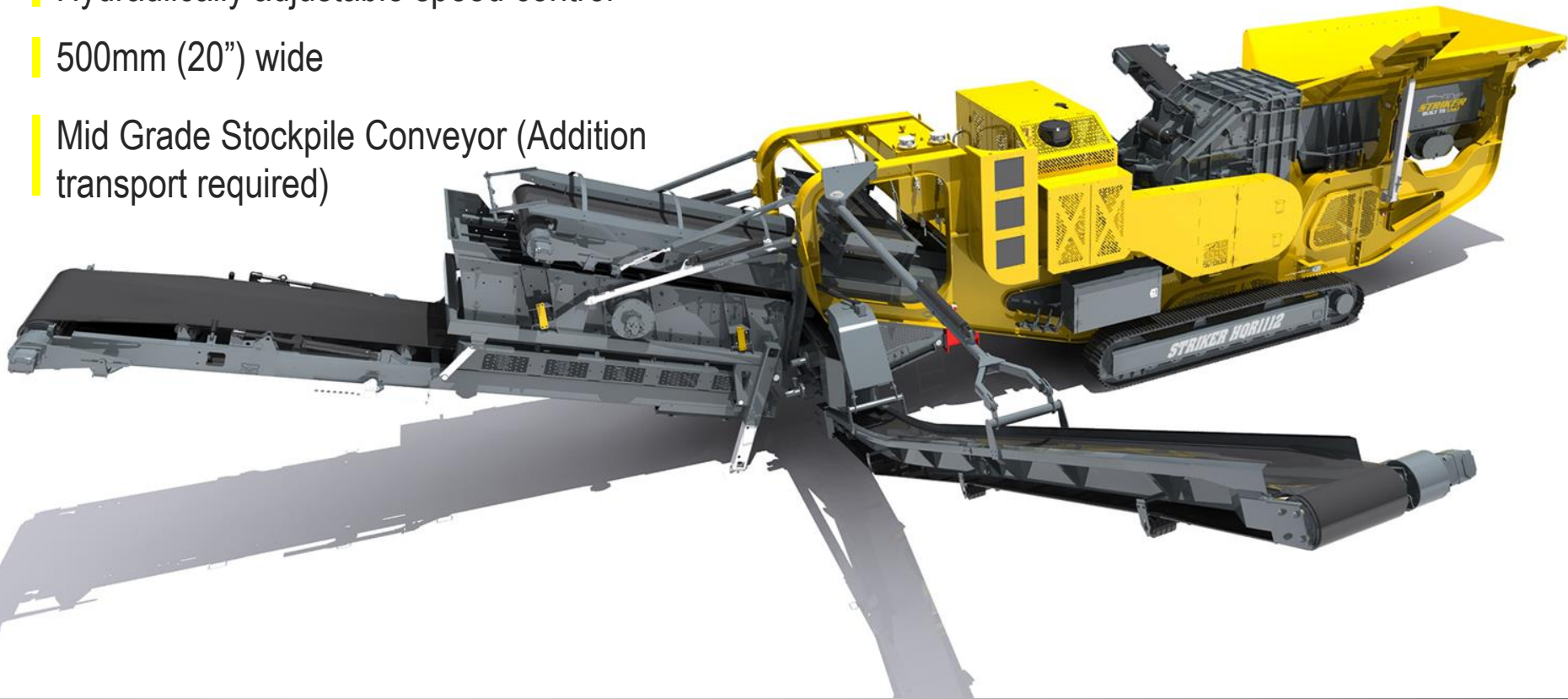
Recirculation Conveyor (Option)

The recirculation conveyor can be slewed in or out to allow for return to the crusher, return to different machine or stockpiling

Hydraulically adjustable speed control

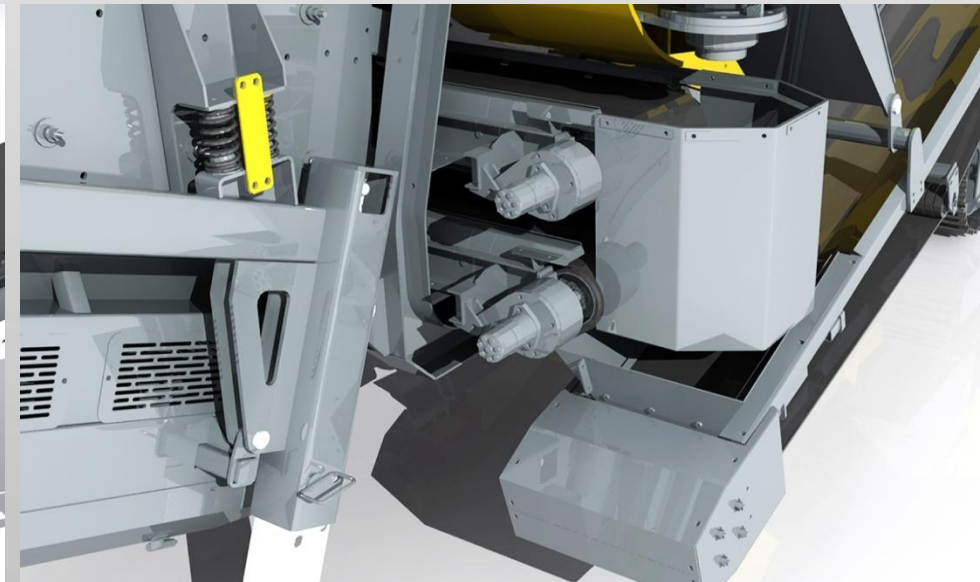
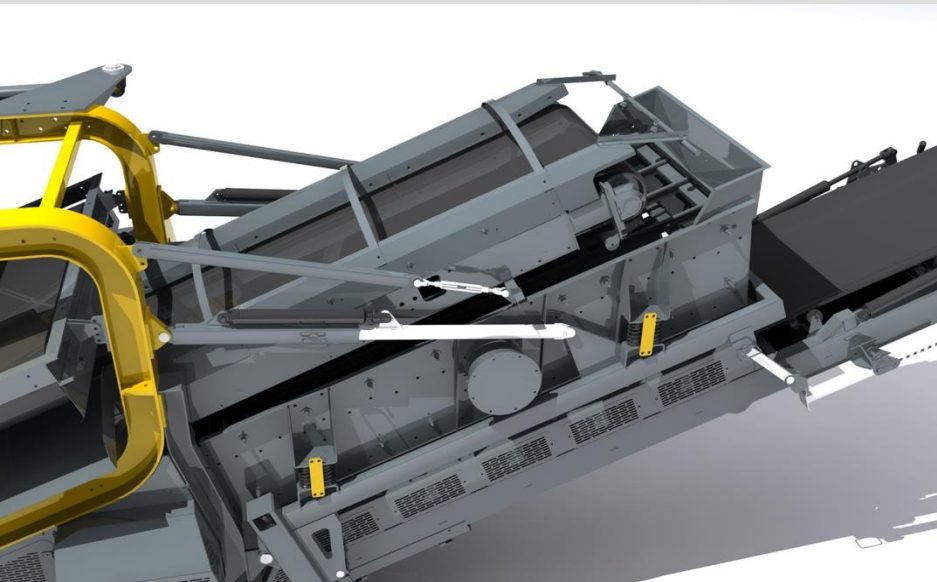
500mm (20") wide

Mid Grade Stockpile Conveyor (Addition transport required)



Screen (Option)

- The screen box is a:
 - Hydraulic operated double deck vibrating screen, 1525mm x 4270mm (5ft x 14ft)
- Detachable single deck vibrating screen
- Bottom Transfer Conveyor: 500mm (20") wide
- Double deck screen
- Hydraulic tilting oversize recirculation conveyor that stows for transport
- Added ability to produce a graded product
- Bottom deck aperture mesh – Specify Size
- Negates the need for a separate screen



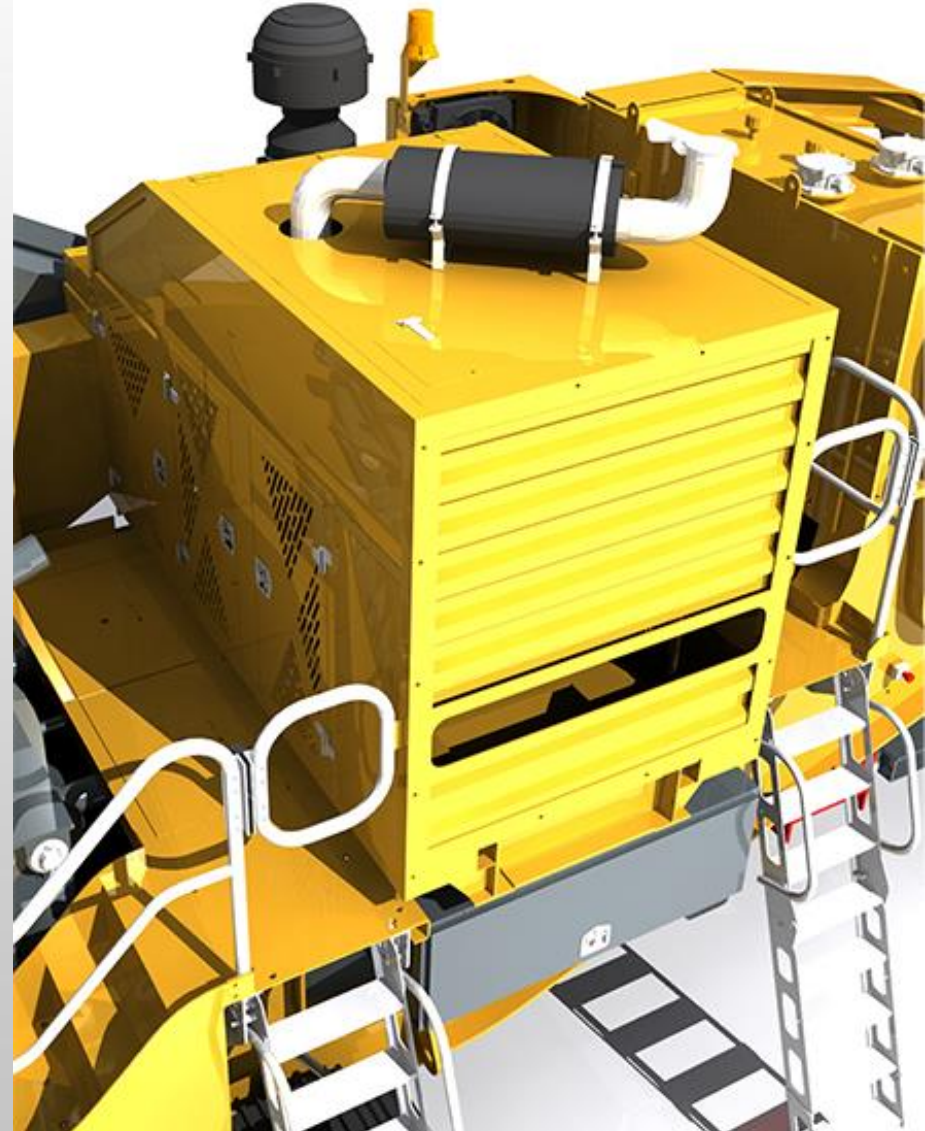
Power Pack (Option)

Powered by a CATERPILLAR® C13 LRC Tier 4 engine rated (328kW)

Cold climate oils (Recommended for ambient temperatures between -20°C to $+30^{\circ}\text{C}$)

Radiator blast guards

Plant lighting mast



Dust Suppression (Option)

| Water Pump



Stacker Outlet (Option)

To run Striker radial stacking conveyor



Controls (Option)

- Full PLC control panel
- Full system diagnostics
- Controls fitted to the plant include:

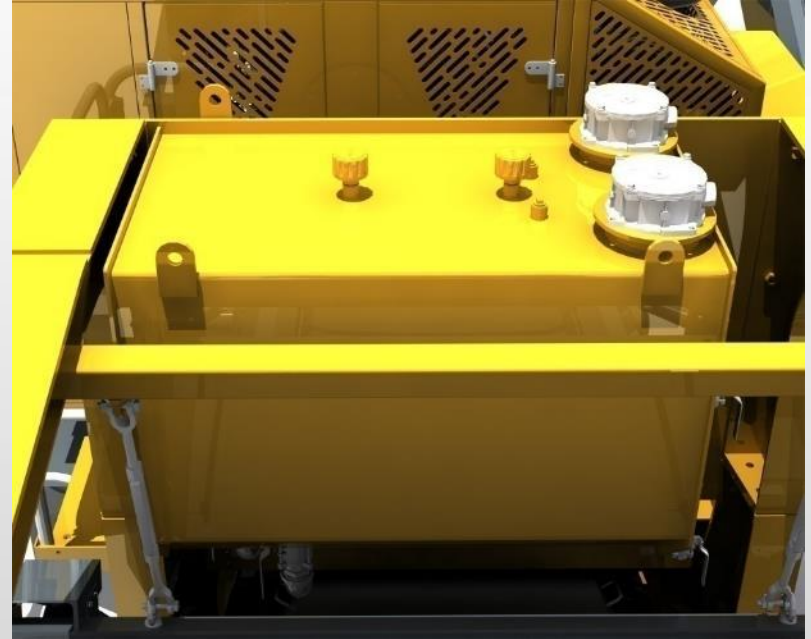
Sequential start up

- Engine (start/stop/speed)
- Crusher (start/stop)
- Optional side conveyor (start/stop)
- Feeder (start/stop/speed) controls, located on the side of the plant

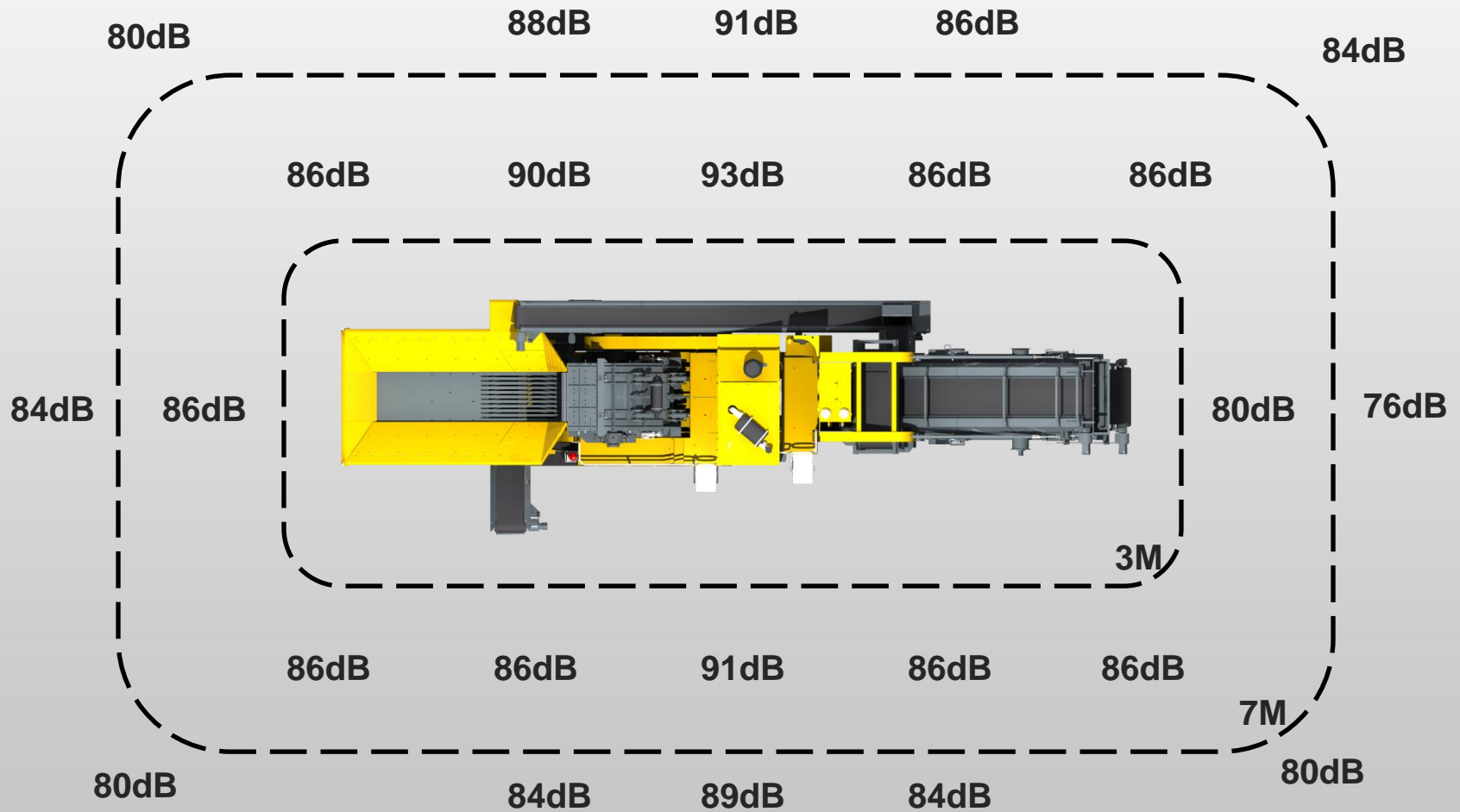


Fuel & Hydraulic Tank (Option)

Option to increase fuel tank capacity



Sound Levels



Selling Features Summary

Strong, reliable, robust heavy duty body designed & engineered web & flange chassis, fully welded & fabricated from high grade steel to withstand the rigors of operation & transportation

Hydraulically folding feed hopper wings fabricated from wear resistant steel including hydraulically powered locking system

Self cleaning stepped grizzly with vibrating twin shaft exciter

Heavy duty crusher design with fully hydraulic adjustable setting and optional under-crusher deflector plate

CATERPILLAR® engine as standard, compliant to industry regulations

Heavy duty tracks suitable for any environment

Extra wide product conveyor with full length rubber side skirts utilising wear resistant steel clamp plates

Maximised discharged height for product stockpiling

Height adjustable, overboard magnetic separator

Two hydraulic oil coolers fitted as standard for maximum productivity in warmer climates

Water spray system fitted to the forward product conveyor and jaw opening